



Chipsmall Limited consists of a professional team with an average of over 10 year of expertise in the distribution of electronic components. Based in Hongkong, we have already established firm and mutual-benefit business relationships with customers from,Europe,America and south Asia,supplying obsolete and hard-to-find components to meet their specific needs.

With the principle of “Quality Parts,Customers Priority,Honest Operation,and Considerate Service”,our business mainly focus on the distribution of electronic components. Line cards we deal with include Microchip,ALPS,ROHM,Xilinx,Pulse,ON,Everlight and Freescale. Main products comprise IC,Modules,Potentiometer,IC Socket,Relay,Connector.Our parts cover such applications as commercial,industrial, and automotives areas.

We are looking forward to setting up business relationship with you and hope to provide you with the best service and solution. Let us make a better world for our industry!



## Contact us

Tel: +86-755-8981 8866 Fax: +86-755-8427 6832

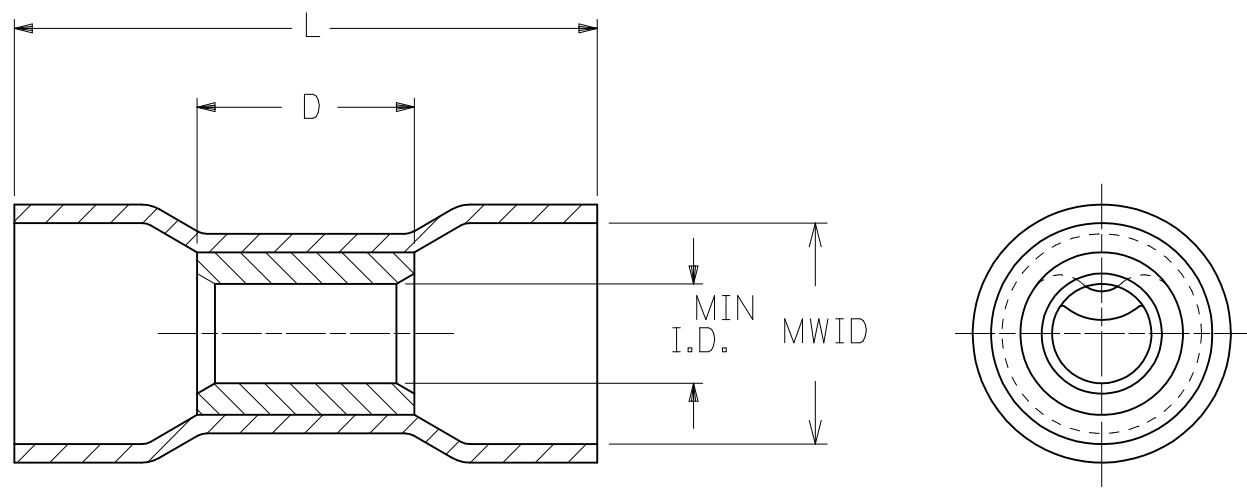
Email & Skype: info@chipsmall.com Web: www.chipsmall.com

Address: A1208, Overseas Decoration Building, #122 Zhenhua RD., Futian, Shenzhen, China



MATERIAL NUMBER	ENGINEERING P/N	WIRE SIZE	INSULATION COLOR	I.D. MIN.	MWID*	"D" MAX.	"L" MAX.
192060012	D-655X	8	RED	.165 / 4.19	.33 / 8.3 (A)	.398 / 10.11	1.07 / 27.2
192060013	E-66 IX	6	BLUE	.230 / 5.84	.44 / 11.1	.467 / 11.86	1.30 / 33.0
192060015	F-655X	4	YELLOW	.277 / 7.03	.60 / 15.2	.537 / 13.64	1.39 / 35.3

(A)



NOTES:

- MATERIALS:  
 SPLICE: MATTE-TIN PLATED COPPER  
 INSULATION: PVC
- MWID = MAXIMUM WIRE INSULATION DIAMETER
- PARTS ARE ROHS COMPLIANT.

REDRAWN FROM DOC CD-21100

(A)

REDRAW, D MWID EC NO: WNA2011-0558 DRWN:ETHRODAHL 2011/05/12 CHKD:JMACNEIL 2011/05/12 APPR:JMACNEIL 2011/05/12	QUALITY SYMBOLS ▽=0 ◻=0	GENERAL TOLERANCES (UNLESS SPECIFIED)		DIMENSION STYLE IN/MM (A)	SCALE ---	DESIGN UNITS INCH	THIRD ANGLE PROJECTION	
			mm	INCH	DRAWN BY RCM	DATE 1996/04/15	TITLE INSULKRIMP SEAMLESS PARALLEL CONNECTORS SALES DRAWING	
		4 PLACES	± ---	± ---	CHECKED BY RWD	DATE 1996/04/15		
		3 PLACES	± ---	± .005	APPROVED BY JMACNEIL	DATE 2011/05/12	MOLEX INCORPORATED	
2 PLACES	± 0.13	± .01	DRAFT WHERE APPLICABLE MUST REMAIN WITHIN DIMENSIONS		MATERIAL NO. SEE CHART	DOCUMENT NO. SD-19206-001 (A)		
1 PLACE	± 0.25	± ---			THIS DRAWING CONTAINS INFORMATION THAT IS PROPRIETARY TO MOLEX INCORPORATED AND SHOULD NOT BE USED WITHOUT WRITTEN PERMISSION			
ANGULAR ± ---°								