



Chipsmall Limited consists of a professional team with an average of over 10 year of expertise in the distribution of electronic components. Based in Hongkong, we have already established firm and mutual-benefit business relationships with customers from,Europe,America and south Asia,supplying obsolete and hard-to-find components to meet their specific needs.

With the principle of “Quality Parts,Customers Priority,Honest Operation,and Considerate Service”,our business mainly focus on the distribution of electronic components. Line cards we deal with include Microchip,ALPS,ROHM,Xilinx,Pulse,ON,Everlight and Freescale. Main products comprise IC,Modules,Potentiometer,IC Socket,Relay,Connector.Our parts cover such applications as commercial,industrial, and automotives areas.

We are looking forward to setting up business relationship with you and hope to provide you with the best service and solution. Let us make a better world for our industry!



## Contact us

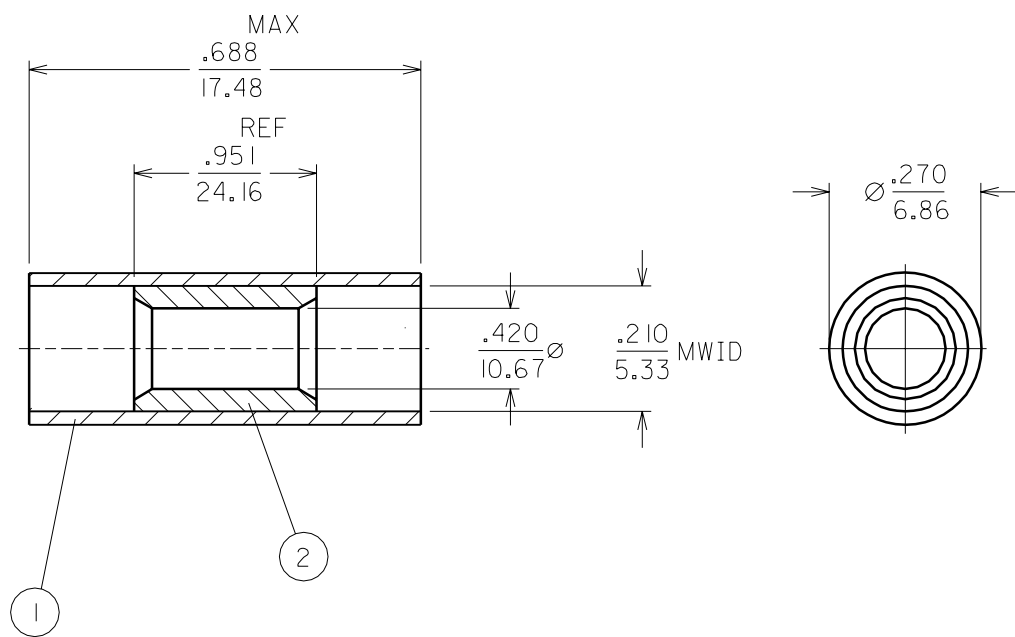
Tel: +86-755-8981 8866 Fax: +86-755-8427 6832

Email & Skype: info@chipsmall.com Web: www.chipsmall.com

Address: A1208, Overseas Decoration Building, #122 Zhenhua RD., Futian, Shenzhen, China



DRWG. NO.



MWID=MAXIUM WIRE INSULATION DIAMETER

- NOTES:
- 1. COLOR CODED INSULATION, YELLOW, NYLON
  - 2. BUTT SPLICE TIN PLATED COPPER

WIRE SIZE = 12-10 AWG  
2.6-6.6 MM<sup>2</sup>

REVISE ONLY ON CAD SYSTEM

TITLE  
 NYLAKRIMP  
 PARALLEL SPLICE  
 12-10 AWG

DRWG. BY RCM  
 CHK'D. BY JM  
 APP'D. BY FP  
 SCALE NONE

**molex ETC INC.**  
 PINELLAS PARK, FLA. 34665 U.S.A.  
 PART NO. CS-N-303  
 FILE NAME CSN303CD

SHEET NO.  
 DATE 07/08/93  
 DRWG. NO.  
 THIS DRAWING CONTAINS INFORMATION THAT IS PROPRIETARY TO MOLEX-ETC INC. AND SHOULD NOT BE USED WITHOUT WRITTEN PERMISSION.  
 DIV.  
 SIZE A