



Chipsmall Limited consists of a professional team with an average of over 10 year of expertise in the distribution of electronic components. Based in Hongkong, we have already established firm and mutual-benefit business relationships with customers from,Europe,America and south Asia,supplying obsolete and hard-to-find components to meet their specific needs.

With the principle of “Quality Parts,Customers Priority,Honest Operation,and Considerate Service”,our business mainly focus on the distribution of electronic components. Line cards we deal with include Microchip,ALPS,ROHM,Xilinx,Pulse,ON,Everlight and Freescale. Main products comprise IC,Modules,Potentiometer,IC Socket,Relay,Connector.Our parts cover such applications as commercial,industrial, and automotives areas.

We are looking forward to setting up business relationship with you and hope to provide you with the best service and solution. Let us make a better world for our industry!



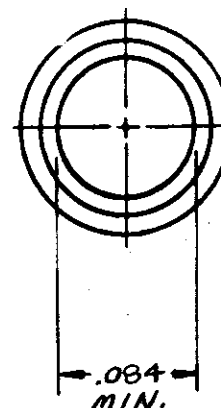
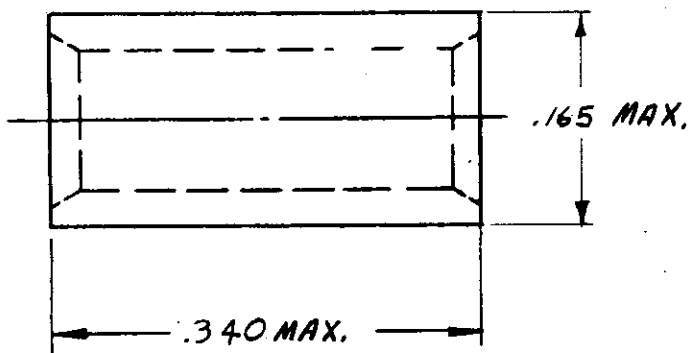
## Contact us

Tel: +86-755-8981 8866 Fax: +86-755-8427 6832

Email & Skype: info@chipsmall.com Web: www.chipsmall.com

Address: A1208, Overseas Decoration Building, #122 Zhenhua RD., Futian, Shenzhen, China





MATERIAL: COPPER  
 PLATING: ELECTRO TIN

WIRE SIZE: 16-14 AWG

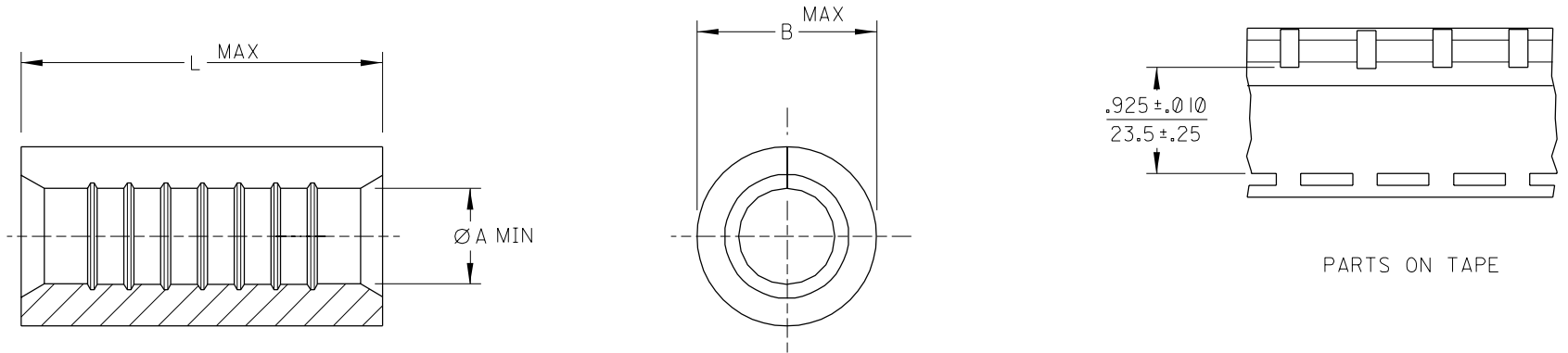
**ETC** INCORPORATED  
 CLEVELAND, OHIO

TITLE:  
 KRIMPTITE PARALLEL  
 SPLICE

DIMENSIONAL TOLERANCE UNLESS OTHERWISE SPECIFIED		
FRAC.	DEC.	ANG.
±	±	±

REVISION	SCALE: $\sim$	DATE
	DRWN. BY: JTK	3-24-71
	CHKD. BY:	
	APPRD. BY:	
	DRAWING NO.: B-104	

MATERIAL NUMBER	ALTERNATE NUMBER	"L" MAX	"A" MIN.	"B" MAX	PACKAGING
192080001	B-104	.340 (8.60)	.084 (2.10)	.165 (4.20)	LOOSE PIECE
192080002	C-103	.330 (8.40)	.128 (3.30)	.230 (5.80)	
192080003	C-103T	.330 (8.40)	.128 (3.30)	.230 (5.80)	TAPE MOUNTED



### SALES DRAWING

NOTES:  
 1. MATERIAL: COPPER.  
 2. PLATING: ELECTRO-TIN.  
 3. ALL DIMENSIONS IN INCHES/(MM).

NEW RELEASE EC NO.: ETC2002-0225 DRWN: BRE 02/01/30 CHK: HEB 02/01/30 APPR: RWD 02/01/30	QUALITY SYMBOLS MAJOR $\nabla = 0$ CRITICAL $\nabla C = 0$	GENERAL TOLERANCES: (UNLESS SPECIFIED)		SCALE : <input type="checkbox"/> mm <input checked="" type="checkbox"/> INCH	DESIGN UNITS <input type="checkbox"/> mm <input checked="" type="checkbox"/> INCH	DIMENSIONS: <input type="checkbox"/> mm <input checked="" type="checkbox"/> INCH <input type="checkbox"/> mm ONLY <input type="checkbox"/> mm	SHT REV
		4 PLACES $\pm 0.$ $\pm .$	DRAWN BY & DATE BRE 02/01/30	TITLE: PARALLEL CONNECTOR			
		3 PLACES $\pm 0.$ $\pm .$	CHECKED BY & DATE HEB 02/01/30	APPROVED BY & DATE RWD 02/01/30			
		2 PLACES $\pm 0.13$ $\pm .005$	CAD FILENAME SD-19208-002 .DWG	MATERIAL NO. SEE CHART	DRAWING NO. SD-19208-002	SHEET NO.	
1 PLACE $\pm 0.25$ $\pm .01$	ANGULAR: 1/2	DRAFT WHERE APPLICABLE MUST REMAIN WITHIN DIMENSIONS			THIS DRAWING CONTAINS INFORMATION THAT IS PROPRIETARY TO MOLEX INCORPORATED AND SHOULD NOT BE USED WITHOUT WRITTEN PERMISSION.	SIZE B	