



Chipsmall Limited consists of a professional team with an average of over 10 year of expertise in the distribution of electronic components. Based in Hongkong, we have already established firm and mutual-benefit business relationships with customers from,Europe,America and south Asia,supplying obsolete and hard-to-find components to meet their specific needs.

With the principle of "Quality Parts,Customers Priority,Honest Operation,and Considerate Service",our business mainly focus on the distribution of electronic components. Line cards we deal with include Microchip,ALPS,ROHM,Xilinx,Pulse,ON,Everlight and Freescale. Main products comprise IC,Modules,Potentiometer,IC Socket,Relay,Connector.Our parts cover such applications as commercial,industrial, and automotives areas.

We are looking forward to setting up business relationship with you and hope to provide you with the best service and solution. Let us make a better world for our industry!



## Contact us

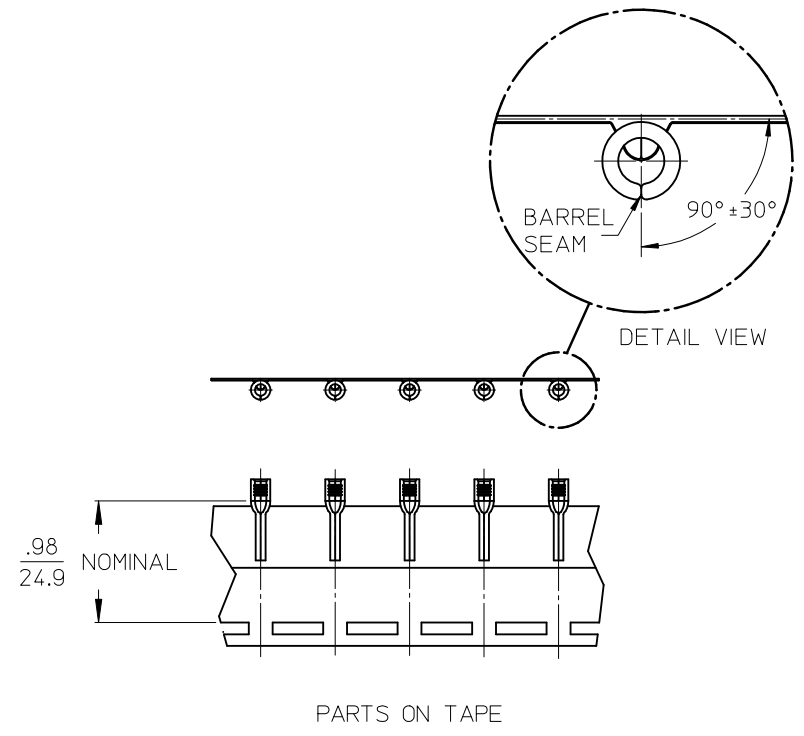
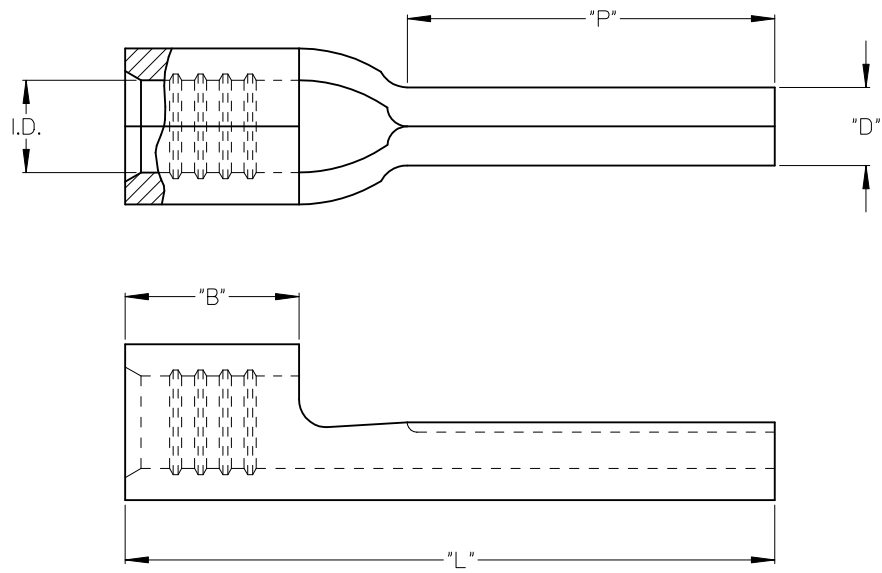
Tel: +86-755-8981 8866 Fax: +86-755-8427 6832

Email & Skype: info@chipsmall.com Web: www.chipsmall.com

Address: A1208, Overseas Decoration Building, #122 Zhenhua RD., Futian, Shenzhen, China



MATERIAL NO. LOOSE PIECE	ENGINEERING NO. LOOSE PIECE	MATERIAL NO. TAPE MOUNTED	ENGINEERING NO. TAPE MOUNTED	AWG	"I.D." MIN	"B" MIN	"L" MAX	"P" MIN	"D" ± $\frac{.01}{0.3}$
192110003	WP-1218	192110004	WP-1218T	22-18	.054/1.37 (G2)	.165/ 4.19	.68/ 17.3	.35/ 8.9	.078/ 1.98
192110005	WP-1614	192110006	WP-1614T	16-14	.081/2.06	.165/ 4.19	.68/ 17.3	.35/ 8.9	.078/ 1.98
192110001	WP-1210	192110002	WP-1210T	12-10	.128/3.25	.230/ 5.84	.82/ 20.8	.41/ 10.4	.107/ 2.72



## SALES DRAWING

### NOTES:

1. MATERIAL: COPPER
2. FINISH: ELECTRO-TIN PLATING
3. PARTS ARE ROHS COMPLIANT.

<b>ID TOLERANCE 22-18</b> EC NO: DRW: JTHRODAHL 2010/11/17 CHKD: JMACNEIL 2010/11/17 APPR:	QUALITY SYMBOLS ▼=0 ▽=0	GENERAL TOLERANCES (UNLESS SPECIFIED) <table border="1"> <thead> <tr> <th></th> <th>mm</th> <th>INCH</th> </tr> </thead> <tbody> <tr> <td>4 PLACES</td> <td>±----</td> <td>±----</td> </tr> <tr> <td>3 PLACES</td> <td>±----</td> <td>±----</td> </tr> <tr> <td>2 PLACES</td> <td>±----</td> <td>±----</td> </tr> <tr> <td>1 PLACE</td> <td>±----</td> <td>±----</td> </tr> </tbody> </table>		mm	INCH	4 PLACES	±----	±----	3 PLACES	±----	±----	2 PLACES	±----	±----	1 PLACE	±----	±----	DIMENSION STYLE <b>IN/MM</b>	SCALE <b>INCH</b>	DESIGN UNITS <b>INCH</b>	THIRD ANGLE PROJECTION
		mm	INCH																		
	4 PLACES	±----	±----																		
	3 PLACES	±----	±----																		
2 PLACES	±----	±----																			
1 PLACE	±----	±----																			
DRAFT WHERE APPLICABLE MUST REMAIN WITHIN DIMENSIONS	DRAWN BY B. ENDERLE	DATE 02/14/02	CHECKED BY H. BIETZEL	DATE 02/14/02	TITLE <b>KRIMPTITE WIRE PIN TERMINALS</b> <b>22-18, 16-14, 12-10 AWG</b>	MOLEX INCORPORATED															
MATERIAL NO. <b>SEE CHART</b>	APPROVED BY JMACNEIL	DATE 2010/03/18	DOCUMENT NO. <b>SD-19211-002</b>	SHEET NO. <b>1 OF 1</b>	THIS DRAWING CONTAINS INFORMATION THAT IS PROPRIETARY TO MOLEX INCORPORATED AND SHOULD NOT BE USED WITHOUT WRITTEN PERMISSION																
SIZE <b>B</b>																					