



Chipsmall Limited consists of a professional team with an average of over 10 year of expertise in the distribution of electronic components. Based in Hongkong, we have already established firm and mutual-benefit business relationships with customers from,Europe,America and south Asia,supplying obsolete and hard-to-find components to meet their specific needs.

With the principle of "Quality Parts,Customers Priority,Honest Operation,and Considerate Service",our business mainly focus on the distribution of electronic components. Line cards we deal with include Microchip,ALPS,ROHM,Xilinx,Pulse,ON,Everlight and Freescale. Main products comprise IC,Modules,Potentiometer,IC Socket,Relay,Connector.Our parts cover such applications as commercial,industrial, and automotives areas.

We are looking forward to setting up business relationship with you and hope to provide you with the best service and solution. Let us make a better world for our industry!



Contact us

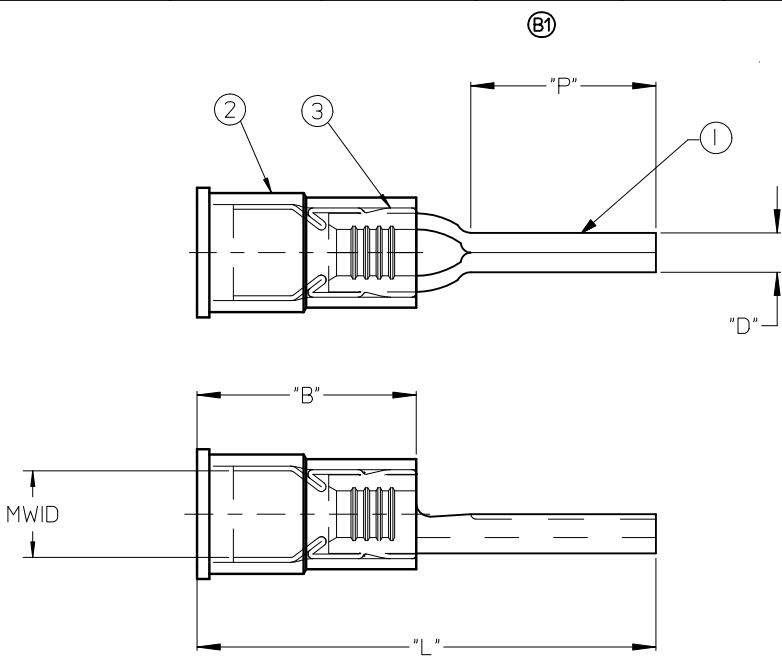
Tel: +86-755-8981 8866 Fax: +86-755-8427 6832

Email & Skype: info@chipsmall.com Web: www.chipsmall.com

Address: A1208, Overseas Decoration Building, #122 Zhenhua RD., Futian, Shenzhen, China



MATERIAL NUMBER	ENGINEERING NUMBER	AWG WIRE RANGE	LENGTH "L" MAX	PIN LENGTH "P" MIN (B1)	PIN DIAM. "D" ±.01/0.3	MWID	INSULATION COLOR	B MAX
192130001	WP-5210	12-10	1.24/31.5 (B1)	.35/8.9	.107/2.72	.22/5.6	YELLOW	.68/17.3
192130005	WP-5614	16-14	1.05/26.7	.35/8.9	.078/1.98	.17/4.3	BLUE	.55/14.0
192130003	WP-5218	22-18	1.05/26.7	.41/10.4	.078/1.98	.14/3.6	RED	.55/14.0



ITEM	QTY	DESCRIPTION	MATERIAL	FINISH
3	1	FERRULE PLATED	COPPER ALLOY	TIN PLATING
2	1	600V AVIK MLD INS	NYLON	SEE CHART
1	1	WIRE PIN KRIMPTITE	COPPER C11000	TIN PLATING

- NOTES:
1. MATERIAL: SEE CHART
 2. FINISH: SEE CHART
 3. PARTS ARE ROHS COMPLIANT.
 4. MWID = MAXIMUM WIRE INSULATION DIAMETER

CORRECT TOLERANCES EC NO: WNA2009-0437 DRW: WTHRODAHL 2010/02/19 CHKD: JMACNEIL 2010/03/01 APPR: JMACNEIL 2010/03/18	QUALITY SYMBOLS	GENERAL TOLERANCES (UNLESS SPECIFIED)	DIMENSION STYLE	SCALE	DESIGN UNITS	THIRD ANGLE PROJECTION
	▽=0	mm INCH	IN/MM	4:1	INCH	☉
	▽7=0	4 PLACES ±--- ±---	DRAWN BY DATE	TITLE AVIKRIMP WIRE PIN TERMINAL		
		3 PLACES ±--- ±---	ASAYDEH 06/03/17			
	2 PLACES ±--- ±---	CHECKED BY DATE	MOLEX INCORPORATED			
	1 PLACE ±--- ±---	RDEROSS 06/03/17				
	ANGULAR ±---°	APPROVED BY DATE	DOCUMENT NO. SD-19213-001			
		JMACNEIL 2010/03/18				
		MATERIAL NO.	SHEET NO. 1 OF 1			
		SEE CHART				
		SIZE B	THIS DRAWING CONTAINS INFORMATION THAT IS PROPRIETARY TO MOLEX INCORPORATED AND SHOULD NOT BE USED WITHOUT WRITTEN PERMISSION			