



Chipsmall Limited consists of a professional team with an average of over 10 year of expertise in the distribution of electronic components. Based in Hongkong, we have already established firm and mutual-benefit business relationships with customers from,Europe,America and south Asia,supplying obsolete and hard-to-find components to meet their specific needs.

With the principle of “Quality Parts,Customers Priority,Honest Operation,and Considerate Service”,our business mainly focus on the distribution of electronic components. Line cards we deal with include Microchip,ALPS,ROHM,Xilinx,Pulse,ON,Everlight and Freescale. Main products comprise IC,Modules,Potentiometer,IC Socket,Relay,Connector.Our parts cover such applications as commercial,industrial, and automotives areas.

We are looking forward to setting up business relationship with you and hope to provide you with the best service and solution. Let us make a better world for our industry!



Contact us

Tel: +86-755-8981 8866 Fax: +86-755-8427 6832

Email & Skype: info@chipsmall.com Web: www.chipsmall.com

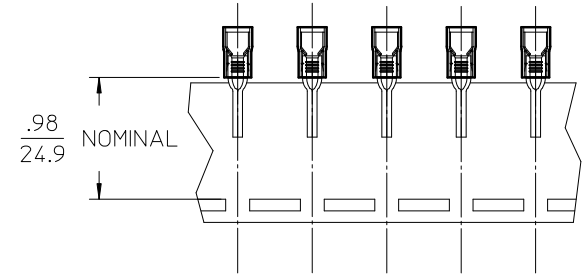
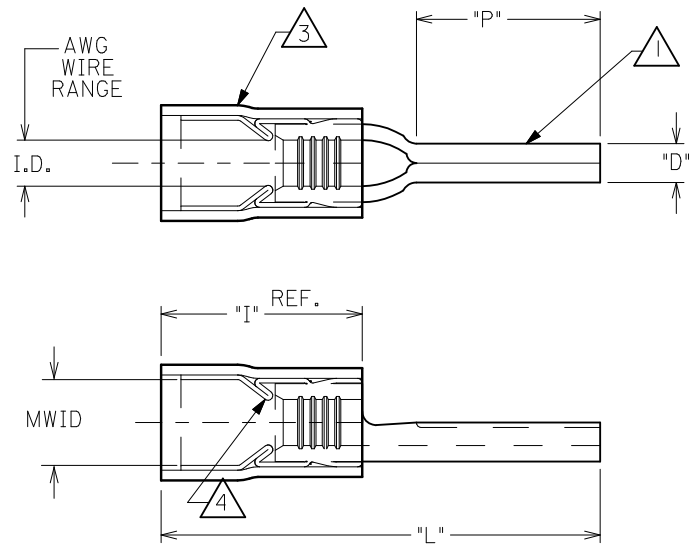
Address: A1208, Overseas Decoration Building, #122 Zhenhua RD., Futian, Shenzhen, China



| 10 | 9 | 8 | 7 | 6 | 5 | 4 | 3 | 2 | 1 | |
|--------------------------|----------------------|---------------------------|----------------------|-----------------------|------------------------|--------------------|---------------------------|-----------|------------------|---------------------------|
| LOOSE PC MATERIAL NUMBER | ENGINEERING PART NO. | TAPE MNTD MATERIAL NUMBER | ENGINEERING PART NO. | AWG WIRE RANGE "I.D." | OVERALL LENGTH "L" MAX | PIN LENGTH "P" MIN | PIN DIAMETER "D" ±.01/0.3 | MWID | INSULATION COLOR | LENGTH INSULATION "I" MAX |
| 192130009 | WP-82 I8 | 192130010 | WP-82 I8 T | 22-18 | .91/23.1 | .35/8.9 | .078/1.98 | .140/3.56 | RED | .42/10.7 |
| 192130011 | WP-86 I4 | 192130012 | WP-86 I4 T | 16-14 | .92/23.4 | .35/8.9 | .078/1.98 | .170/4.32 | BLUE | .42/10.7 |
| 192130007 | WP-82 I0 | 192130008 | WP-82 I0 T | 12-10 | 1.13/28.7 | .41/10.4 | .107/2.72 | .225/5.72 | YELLOW | .57/14.5 |

(A)

(A) (A) (A)



NOTES:

- 1. TERMINAL MATERIAL: COPPER
- 2. TERMINAL PLATING: TIN
- 3. INSULATION MAT'L: EXTRUDED NYLON
- 4. FUNNEL ENTRY FERRULE: TIN PLATED COPPER ALLOY
- 5. MWID=MAXIMUM WIRE INSULATION DIAMETER
- 6. PARTS ARE ROHS COMPLIANT

| | | | | | | | | | | |
|--|----------------------|---|---------------------------------------|------------------|--------------------------|--|------------------------------|----------------------|------------------------|--|
| REDRAW, REV TOLS EC NO: WNA2009-0437 DR: WNETHRODAHL 2010/03/01 CHKD: JMACNEIL 1992/10/08 APPR: JMACNEIL 2010/03/18 | DESCRIPTION REV A | QUALITY SYMBOLS ▽=0 ▽7=0 | GENERAL TOLERANCES (UNLESS SPECIFIED) | | DIMENSION STYLE IN/MM | | SCALE --- | DESIGN UNITS INCH | THIRD ANGLE PROJECTION | |
| | | 4 PLACES ± --- ± --- 3 PLACES ± --- ± --- 2 PLACES ± --- ± --- 1 PLACE ± --- ± --- | mm INCH | DRAWN BY EMF | DATE 1992/10/08 | TITLE AVIKRIMP WIRE PIN TERMINALS, 800 SERIES | | | | |
| | | ANGULAR ± ---° | | CHECKED BY JM | DATE 1992/10/08 | APPROVED BY JMACNEIL | | DATE 2010/03/18 | MOLEX INCORPORATED | |
| | | DRAFT WHERE APPLICABLE MUST REMAIN WITHIN DIMENSIONS | | SEE CHART | | MATERIAL NO. | DOCUMENT NO. SD-19213-002 | SHEET NO. 1 OF 1 | | |

THIS DRAWING CONTAINS INFORMATION THAT IS PROPRIETARY TO MOLEX INCORPORATED AND SHOULD NOT BE USED WITHOUT WRITTEN PERMISSION