



Chipsmall Limited consists of a professional team with an average of over 10 year of expertise in the distribution of electronic components. Based in Hongkong, we have already established firm and mutual-benefit business relationships with customers from,Europe,America and south Asia,supplying obsolete and hard-to-find components to meet their specific needs.

With the principle of "Quality Parts,Customers Priority,Honest Operation,and Considerate Service",our business mainly focus on the distribution of electronic components. Line cards we deal with include Microchip,ALPS,ROHM,Xilinx,Pulse,ON,Everlight and Freescale. Main products comprise IC,Modules,Potentiometer,IC Socket,Relay,Connector.Our parts cover such applications as commercial,industrial, and automotives areas.

We are looking forward to setting up business relationship with you and hope to provide you with the best service and solution. Let us make a better world for our industry!



## Contact us

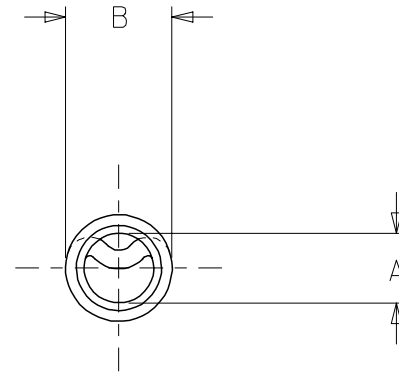
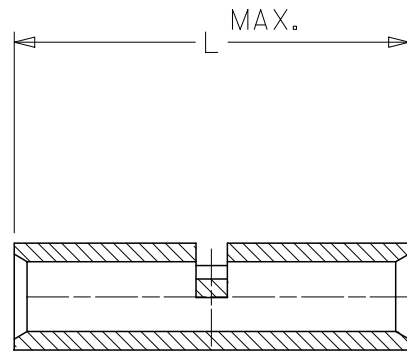
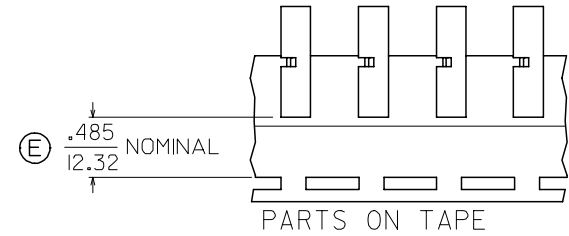
Tel: +86-755-8981 8866 Fax: +86-755-8427 6832

Email & Skype: info@chipsmall.com Web: www.chipsmall.com

Address: A1208, Overseas Decoration Building, #122 Zhenhua RD., Futian, Shenzhen, China



MATERIAL NO.	ENGINEERING NO.	"L" MAX	"A" MIN <sup>ⓔ</sup>	"B" MAX	PACKAGING
192150028	CS-346	.827/21.00	.139/3.53	.223/5.66	LOOSE PIECE
192150132	CS-352	.595/15.11	.139/3.53	.223/5.66	
192150030	CS-346T	.827/21.00	.139/3.53	.223/5.66	TAPE MOUNTED
192150252	CS-346US	.827/21.00	.139/3.53	.223/5.66	LOOSE PIECE
192150256	CS-346UST	.827/21.00	.139/3.53	.223/5.66	TAPE MOUNTED



SALES DRAWING

- NOTES:  
 1. MATERIAL: COPPER.  
 2. PLATING: ELECTRO-TIN.  
 3. ALL DIMENSIONS IN INCHES/ MM.  
<sup>ⓔ</sup> 4. PART IS ROHS COMPLIANT.

CORRECTED DIM. A & ADDED ROHS EC NO: ETC2007-0397 DRW: DRWNEHLE 2007/04/27 CHKD: JMACNEIL 2007/05/09 APPR: JMACNEIL 2007/05/10	QUALITY SYMBOLS	GENERAL TOLERANCES (UNLESS SPECIFIED)	DIMENSION STYLE IN/MM	SCALE	DESIGN UNITS INCH	THIRD ANGLE PROJECTION																																								
	▽=0 ▽=0	<table border="1"> <thead> <tr> <th></th> <th>mm</th> <th>INCH</th> </tr> </thead> <tbody> <tr> <td>4 PLACES</td> <td>±----</td> <td>±----</td> </tr> <tr> <td>3 PLACES</td> <td>±----</td> <td>±----</td> </tr> <tr> <td>2 PLACES</td> <td>±----</td> <td>±----</td> </tr> <tr> <td>1 PLACE</td> <td>±----</td> <td>±----</td> </tr> </tbody> </table>		mm	INCH	4 PLACES	±----	±----	3 PLACES	±----	±----	2 PLACES	±----	±----	1 PLACE	±----	±----	<table border="1"> <thead> <tr> <th>mm</th> <th>INCH</th> </tr> </thead> <tbody> <tr> <td>±----</td> <td>±----</td> </tr> <tr> <td>±----</td> <td>±----</td> </tr> <tr> <td>±----</td> <td>±----</td> </tr> <tr> <td>±----</td> <td>±----</td> </tr> <tr> <td>ANGULAR</td> <td>±----°</td> </tr> </tbody> </table>	mm	INCH	±----	±----	±----	±----	±----	±----	±----	±----	ANGULAR	±----°	<table border="1"> <thead> <tr> <th>DRAWN BY</th> <th>DATE</th> </tr> </thead> <tbody> <tr> <td>JLOMASTRO</td> <td>05/01/07</td> </tr> <tr> <th>CHECKED BY</th> <th>DATE</th> </tr> <tr> <td>RDEROSS</td> <td>05/01/07</td> </tr> <tr> <th>APPROVED BY</th> <th>DATE</th> </tr> <tr> <td>RDEROSS</td> <td>05/01/07</td> </tr> </tbody> </table>	DRAWN BY	DATE	JLOMASTRO	05/01/07	CHECKED BY	DATE	RDEROSS	05/01/07	APPROVED BY	DATE	RDEROSS	05/01/07	TITLE		
		mm	INCH																																											
	4 PLACES	±----	±----																																											
3 PLACES	±----	±----																																												
2 PLACES	±----	±----																																												
1 PLACE	±----	±----																																												
mm	INCH																																													
±----	±----																																													
±----	±----																																													
±----	±----																																													
±----	±----																																													
ANGULAR	±----°																																													
DRAWN BY	DATE																																													
JLOMASTRO	05/01/07																																													
CHECKED BY	DATE																																													
RDEROSS	05/01/07																																													
APPROVED BY	DATE																																													
RDEROSS	05/01/07																																													
		DRAFT WHERE APPLICABLE MUST REMAIN WITHIN DIMENSIONS	SEE CHART	BUTT CONNECTOR SEAMLESS 12-10 AWG WIRE SIZE																																										
			SIZE B	MOLEX INCORPORATED																																										
				DOCUMENT NO. SD-19215-003	SHEET NO. 1 OF 1																																									