



Chipsmall Limited consists of a professional team with an average of over 10 year of expertise in the distribution of electronic components. Based in Hongkong, we have already established firm and mutual-benefit business relationships with customers from,Europe,America and south Asia,supplying obsolete and hard-to-find components to meet their specific needs.

With the principle of “Quality Parts,Customers Priority,Honest Operation,and Considerate Service”,our business mainly focus on the distribution of electronic components. Line cards we deal with include Microchip,ALPS,ROHM,Xilinx,Pulse,ON,Everlight and Freescale. Main products comprise IC,Modules,Potentiometer,IC Socket,Relay,Connector.Our parts cover such applications as commercial,industrial, and automotives areas.

We are looking forward to setting up business relationship with you and hope to provide you with the best service and solution. Let us make a better world for our industry!



Contact us

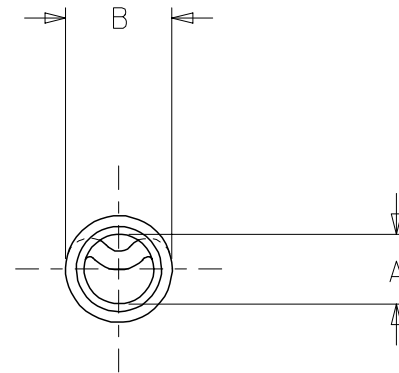
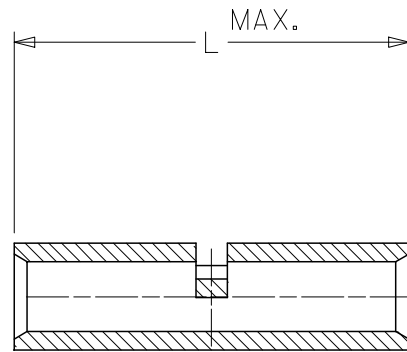
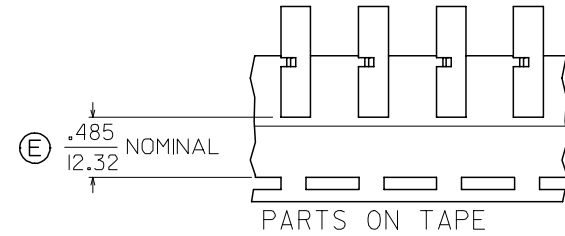
Tel: +86-755-8981 8866 Fax: +86-755-8427 6832

Email & Skype: info@chipsmall.com Web: www.chipsmall.com

Address: A1208, Overseas Decoration Building, #122 Zhenhua RD., Futian, Shenzhen, China



MATERIAL NO.	ENGINEERING NO.	"L" MAX	"A" MIN [ⓔ]	"B" MAX	PACKAGING
192150028	CS-346	.827/21.00	.139/3.53	.223/5.66	LOOSE PIECE
192150132	CS-352	.595/15.11	.139/3.53	.223/5.66	
192150030	CS-346T	.827/21.00	.139/3.53	.223/5.66	TAPE MOUNTED
192150252	CS-346US	.827/21.00	.139/3.53	.223/5.66	LOOSE PIECE
192150256	CS-346UST	.827/21.00	.139/3.53	.223/5.66	TAPE MOUNTED



SALES DRAWING

- NOTES:
 1. MATERIAL: COPPER.
 2. PLATING: ELECTRO-TIN.
 3. ALL DIMENSIONS IN INCHES/ MM.
[ⓔ] 4. PART IS ROHS COMPLIANT.

CORRECTED DIM. A & ADDED ROHS EC NO: ETC2007-0397 DRW: DRWNEHLE 2007/04/27 CHKD: JMACNEIL 2007/05/09 APPR: JMACNEIL 2007/05/10	QUALITY SYMBOLS ▽=0 ▽=0	GENERAL TOLERANCES (UNLESS SPECIFIED)		DIMENSION STYLE IN/MM		SCALE	DESIGN UNITS INCH	THIRD ANGLE PROJECTION	
			mm	INCH	DRAWN BY	DATE	TITLE		
		4 PLACES	±----	±----	JLOMASTRO	05/01/07	BUTT CONNECTOR SEAMLESS 12-10 AWG WIRE SIZE		
		3 PLACES	±----	±----	CHECKED BY	DATE			
2 PLACES	±----	±----	RDEROSS	05/01/07	MOLEX INCORPORATED				
1 PLACE	±----	±----	APPROVED BY	DATE					
		ANGULAR ±----°	RDEROSS	05/01/07	MATERIAL NO.	DOCUMENT NO.			
			DRAFT WHERE APPLICABLE MUST REMAIN WITHIN DIMENSIONS		SEE CHART	SD-19215-003	SHEET NO. 1 OF 1		
			SIZE B	THIS DRAWING CONTAINS INFORMATION THAT IS PROPRIETARY TO MOLEX INCORPORATED AND SHOULD NOT BE USED WITHOUT WRITTEN PERMISSION					