



Chipsmall Limited consists of a professional team with an average of over 10 year of expertise in the distribution of electronic components. Based in Hongkong, we have already established firm and mutual-benefit business relationships with customers from,Europe,America and south Asia,supplying obsolete and hard-to-find components to meet their specific needs.

With the principle of “Quality Parts,Customers Priority,Honest Operation,and Considerate Service”,our business mainly focus on the distribution of electronic components. Line cards we deal with include Microchip,ALPS,ROHM,Xilinx,Pulse,ON,Everlight and Freescale. Main products comprise IC,Modules,Potentiometer,IC Socket,Relay,Connector.Our parts cover such applications as commercial,industrial, and automotives areas.

We are looking forward to setting up business relationship with you and hope to provide you with the best service and solution. Let us make a better world for our industry!



## Contact us

Tel: +86-755-8981 8866 Fax: +86-755-8427 6832

Email & Skype: info@chipsmall.com Web: www.chipsmall.com

Address: A1208, Overseas Decoration Building, #122 Zhenhua RD., Futian, Shenzhen, China



6

5

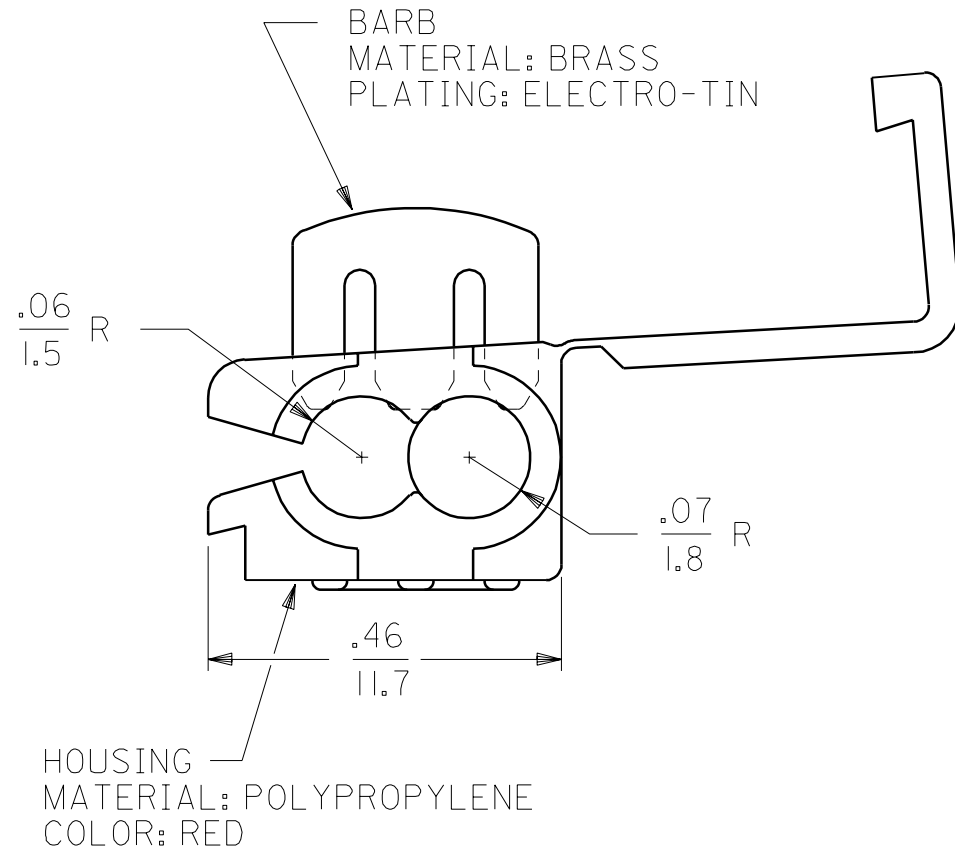
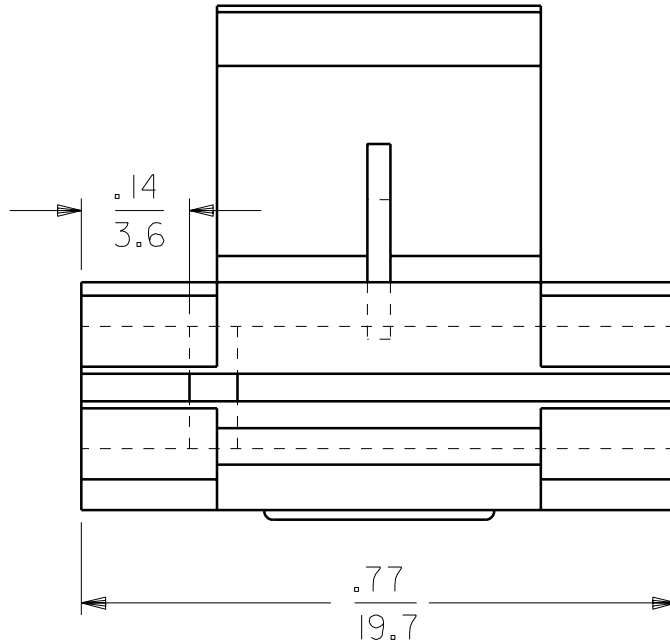
4

3

2

1

DRWG. NO. CD-10003



ALL DIMENSIONS ARE REFERENCE ONLY

WIRE RANGE: 22-18 AWG  
.25-1.5mm<sup>2</sup>

REVISE ONLY ON CAD SYSTEM

TITLE  
ML-2218 MULTI-LOCK  
WIRE RANGE 22-18 AWGCUSTOMER  
DRAWING

DRWG. BY RCM

CHK'D. BY

APP'D. BY

SCALE NO:NE

molex ETC INC.  
PINELLAS PARK, FLA. 34665 U.S.A.PART NO.  
ML-2218FILE NAME  
CD10003SHEET NO. DATE  
08/21/91

DRWG. NO. CD-10003

THIS DRAWING CONTAINS INFORMATION THAT IS PROPRIETARY TO MOLEX-ETC INC. AND SHOULD NOT BE USED WITHOUT WRITTEN PERMISSION.

DIV. SIZE  
A

6

5

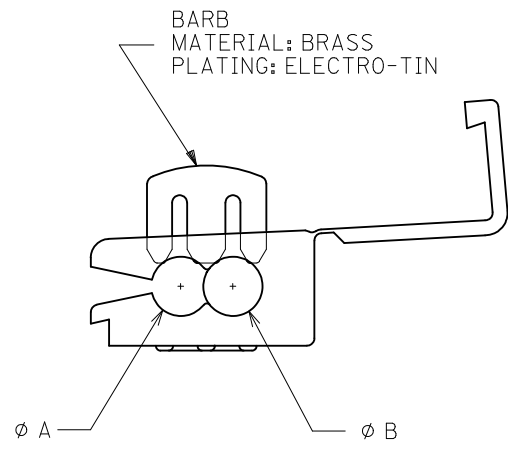
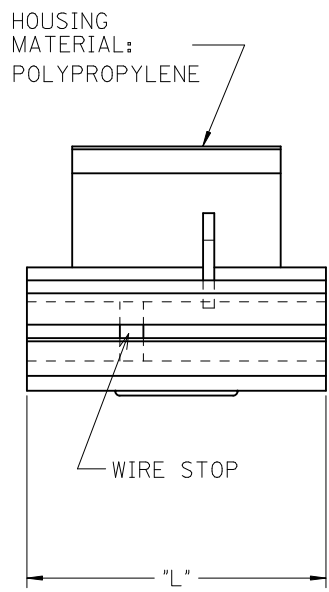
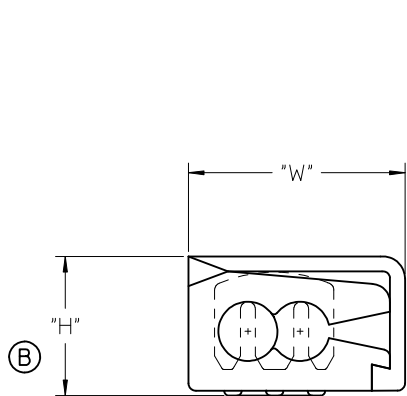
4

3

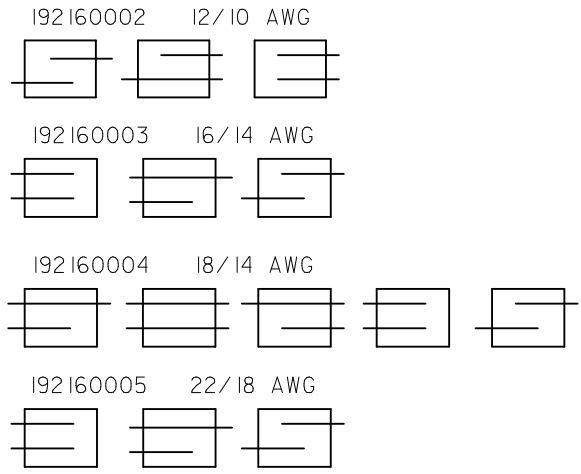
2

1

MATERIAL NUMBER	ALTERNATE NUMBER	WIRE SIZE	WIRE STOP	COLOR	"H" MAX	"W" MAX	"L" MAX	ⓑ "A" MIN	ⓑ "B" MIN
192160002	ⓑ ML-1210	12-10	YES	YELLOW	.52/(13.2)	.74/(18.8)	.80/(20.3)	.160/(4.06)	.185/(4.70)
192160003	ML-1614	16-14	YES	BLUE	.42/(10.7)	.55/(13.8)	.79/(20.1)	.125/(3.17)	.130/(3.30)
192160004	ML-1814	18-14	NO	WHITE	.42/(10.7)	.55/(13.8)	.79/(20.1)	.125/(3.17)	.130/(3.30)
192160005	ML-2218	22-18	YES	RED	.42/(10.7)	.55/(13.8)	.79/(20.1)	.120/(3.04)	.120/(3.04)



POSSIBLE WIRE CONFIGURATIONS



NOTE:  
ⓑ PARTS ARE ROHS COMPLIANT.

CUSTOMER DRAWING

ADD 1210, FIX DIMS EC NO: WNA2010-0315 DR: WNETHRODAHL 2009/12/18 CHKD: JMACNEIL 2009/12/18 APPR: JMACNEIL 2009/12/18 B	QUALITY SYMBOLS ▽=0 ▽7=0	GENERAL TOLERANCES (UNLESS SPECIFIED)		DIMENSION STYLE IN/MM		SCALE 1:1	DESIGN UNITS INCH	THIRD ANGLE PROJECTION		
		4 PLACES ± --- ± ---	mm INCH	DRAWN BY DATE EDB 2000/11/22	TITLE MULTI LOCK CONNECTOR 22 THROUGH 10 AWG					
		3 PLACES ± --- ± .005		CHECKED BY DATE HEB 2000/11/22	MOLEX INCORPORATED					
		2 PLACES ± 0.13 ± .01 1 PLACE ± 0.25 ± ---	ANGULAR ± ---°	APPROVED BY DATE RWD 2000/11/22	MATERIAL NO. SEE CHART	DOCUMENT NO. SD-19216-003	SHEET NO. 1 OF 1			
DRAFT WHERE APPLICABLE MUST REMAIN WITHIN DIMENSIONS		THIS DRAWING CONTAINS INFORMATION THAT IS PROPRIETARY TO MOLEX INCORPORATED AND SHOULD NOT BE USED WITHOUT WRITTEN PERMISSION								