



Chipsmall Limited consists of a professional team with an average of over 10 year of expertise in the distribution of electronic components. Based in Hongkong, we have already established firm and mutual-benefit business relationships with customers from,Europe,America and south Asia,supplying obsolete and hard-to-find components to meet their specific needs.

With the principle of “Quality Parts,Customers Priority,Honest Operation,and Considerate Service”,our business mainly focus on the distribution of electronic components. Line cards we deal with include Microchip,ALPS,ROHM,Xilinx,Pulse,ON,Everlight and Freescale. Main products comprise IC,Modules,Potentiometer,IC Socket,Relay,Connector.Our parts cover such applications as commercial,industrial, and automotives areas.

We are looking forward to setting up business relationship with you and hope to provide you with the best service and solution. Let us make a better world for our industry!



Contact us

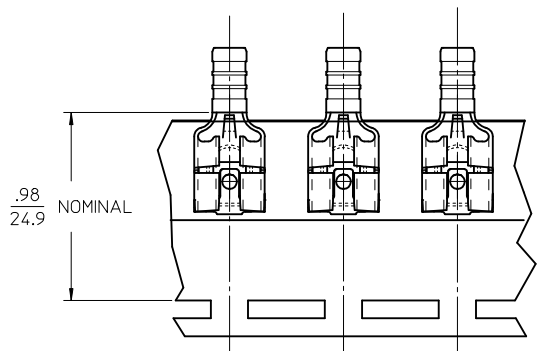
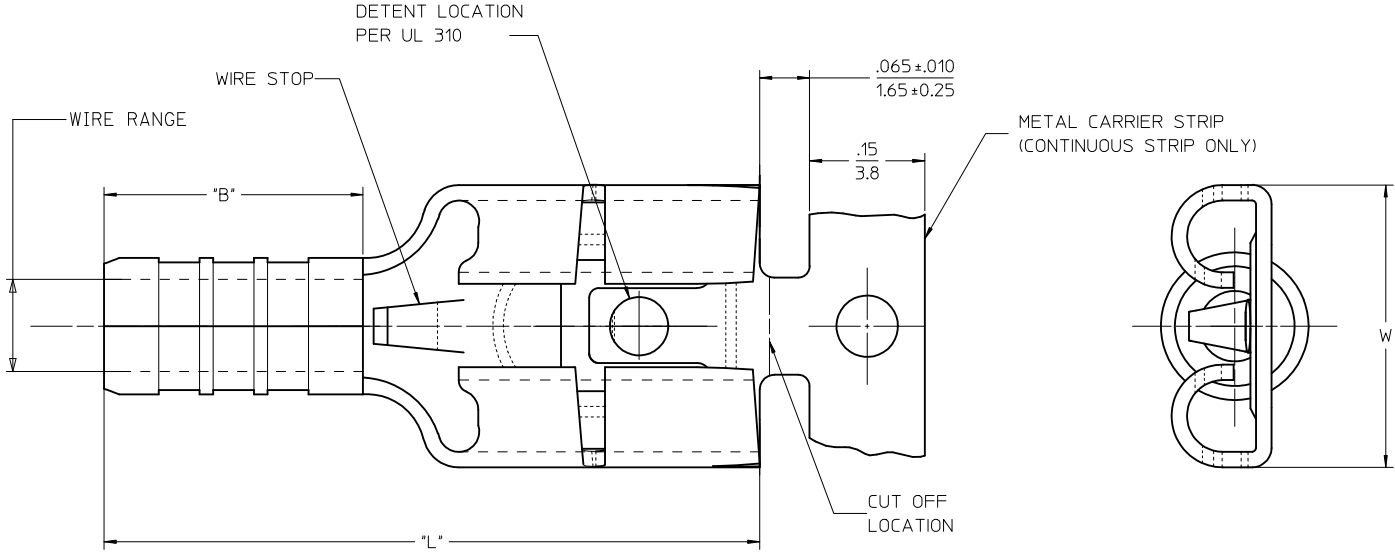
Tel: +86-755-8981 8866 Fax: +86-755-8427 6832

Email & Skype: info@chipsmall.com Web: www.chipsmall.com

Address: A1208, Overseas Decoration Building, #122 Zhenhua RD., Futian, Shenzhen, China



LOOSE PIECE		TAPE MOUNTED		SPECIFICATIONS						
MATERIAL NUMBER	ENGINEERING NUMBER	MATERIAL NUMBER	ENGINEERING NUMBER	WIRE RANGE AWG	MM ²	FITS MALE TAB SIZE	STOCK THICKNESS	"L" MAX.	"B" MAX.	"W" MAX.
192730007	AA-1140-LIF	192730009	AA-1140T-LIF	22-18/	0.25-1.5	.250x.032 / 6.35x0.81	.016 / 0.41	.67 / 17.0	.21 / 5.3	.31 / 7.9
192730008	BB-1141-LIF	192730010	BB-1141T-LIF	16-14/	1.0-2.5	.250x.032 / 6.35x0.81	.016 / 0.41	.67 / 17.0	.21 / 5.3	.31 / 7.9



PARTS ON TAPE

NOTES:

1. MATERIALS:
TERMINAL: MATTE-TIN PLATED BRASS
2. PRODUCT SPECIFICATION: PS-19902-012
3. PARTS ARE ROHS COMPLIANT

FERRULE DESCR. CONT P/N EC NO: MNA2009-0761 DRW: ETHRODAHL 2010/10/01 CHKD: JMACNEIL 2010/10/01 APPR: JMACNEIL 2011/01/06	QUALITY SYMBOLS ▽=0 ▽=0	GENERAL TOLERANCES (UNLESS SPECIFIED)		DIMENSION STYLE IN/MM	SCALE ---	DESIGN UNITS INCH	THIRD ANGLE PROJECTION
		4 PLACES ± --- ± ---	DRAWN BY ETHRODAHL	DATE 2010/10/01	TITLE QUIXON LOW INSERT FORCE UNINSULATED QUICK DISC KRIMPTITE 22-14 AWG		
		3 PLACES ± --- ± .005	CHECKED BY JMACNEIL	DATE 2010/10/01	MOLEX INCORPORATED		
		2 PLACES ± 0.13 ± .010 1 PLACE ± 0.25 ± .020 ANGULAR ± 1/2°	APPROVED BY JMACNEIL	DATE 2011/01/06	MATERIAL NO. SEE CHART	DOCUMENT NO. SD-19273-001	SHEET NO. 1 OF 1
REV A	DRAFT WHERE APPLICABLE MUST REMAIN WITHIN DIMENSIONS	THIS DRAWING CONTAINS INFORMATION THAT IS PROPRIETARY TO MOLEX INCORPORATED AND SHOULD NOT BE USED WITHOUT WRITTEN PERMISSION					