



Chipsmall Limited consists of a professional team with an average of over 10 year of expertise in the distribution of electronic components. Based in Hongkong, we have already established firm and mutual-benefit business relationships with customers from,Europe,America and south Asia,supplying obsolete and hard-to-find components to meet their specific needs.

With the principle of “Quality Parts,Customers Priority,Honest Operation,and Considerate Service”,our business mainly focus on the distribution of electronic components. Line cards we deal with include Microchip,ALPS,ROHM,Xilinx,Pulse,ON,Everlight and Freescale. Main products comprise IC,Modules,Potentiometer,IC Socket,Relay,Connector.Our parts cover such applications as commercial,industrial, and automotives areas.

We are looking forward to setting up business relationship with you and hope to provide you with the best service and solution. Let us make a better world for our industry!



## Contact us

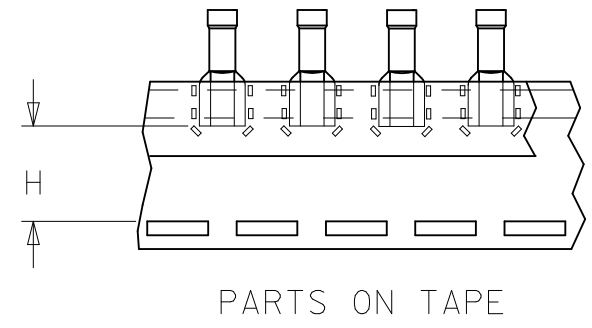
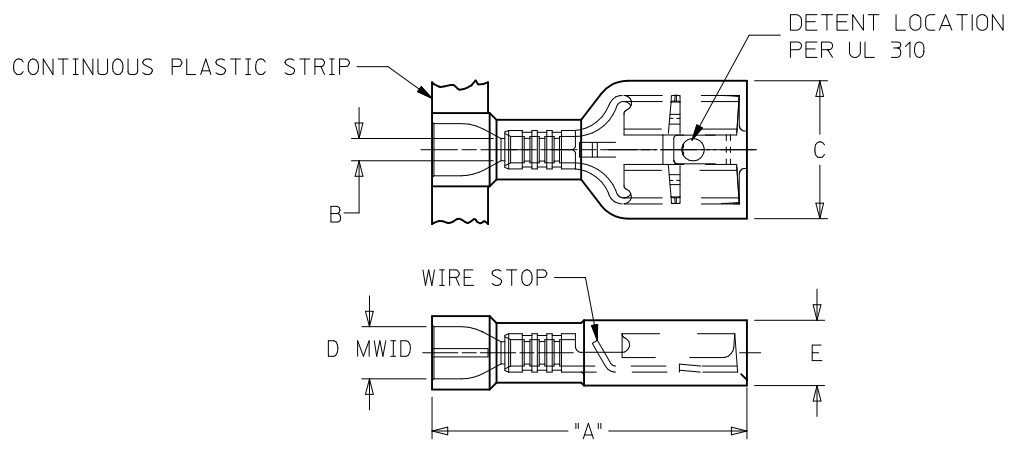
Tel: +86-755-8981 8866 Fax: +86-755-8427 6832

Email & Skype: info@chipsmall.com Web: www.chipsmall.com

Address: A1208, Overseas Decoration Building, #122 Zhenhua RD., Futian, Shenzhen, China



10	9	8	7	6	5	4	3	2	19276						
LOOSE PIECE MATERIAL NUMBER	LOOSE PIECE ENGRNG NUMBER	CONTINUOUS STRIP MATERIAL NUMBER	CONTINUOUS STRIP ENGRNG NUMBER	MYLAR TAPE MATERIAL NUMBER	MYLAR TAPE ENGRNG NUMBER	WIRE RANGE AWG	FITS MALE TAB SIZE	HOUSING COLOR	STOCK THICK.	"A" MAX.	"B" MIN.	"C" MAX.	"D" MWID	"E" MAX.	"H" NOMINAL
192760002	AA-2201-LIF	192760001	AA-2201C-LIF	192760003	AA-2201T-LIF	22-18	.250x.032 (6.35x0.81)	RED	.016/0.41	.86/21.8	.058/1.47	.38/9.7	.135/3.43	.18/4.6	.56/14.2
192760005	BB-2206-LIF	192760004	BB-2206C-LIF	192760006	BB-2206T-LIF	16-14	.250x.032 (6.35x0.81)	BLUE	.016/0.41	.86/21.8	.083/2.10	.38/9.7	.160/4.06	.18/4.6	.56/14.2
192760008	C-2293-LIF	192760007	C-2293C-LIF	192760009	C-2293T-LIF	12-10	.250x.032 (6.35x0.81)	YELLOW	.018/0.46	1.03/26.1	.117/2.97	.38/9.7	.235/5.97	.22/5.6	.51/12.9



- NOTES:
- MATERIALS:  
 TERMINAL: MATTE-TIN PLATED BRASS  
 INSULATION: NYLON 6/6 94V-2,  
 SEE CHART FOR COLORS
  - PRODUCT SPECIFICATION: PS-19902-012
  - MWID = MAXIMUM WIRE INSULATION DIAMETER
  - PARTS ARE ROHS COMPLIANT

SALES DRAWING

RELEASE EC NO: WNA2009-0761 DRW: ETHRODAHL 2010/03/18 CHKD: JMACNEIL 2010/03/18 APPR: JMACNEIL 2011/01/06 A	DESCRIPTION REV	QUALITY SYMBOLS	GENERAL TOLERANCES (UNLESS SPECIFIED)	DIMENSION STYLE	SCALE	DESIGN UNITS	THIRD ANGLE PROJECTION
			mm INCH	IN/MM	1:1	INCH	
		▽=0 ▽7=0	4 PLACES ± --- ± --- 3 PLACES ± --- ± .005 2 PLACES ± 0.13 ± .010 1 PLACE ± 0.25 ± .020 ANGULAR ± 1/2°	DRAWN BY DATE ETHRODAHL 2010/03/18 CHECKED BY DATE JMACNEIL 2010/03/18 APPROVED BY DATE JMACNEIL 2011/01/06	TITLE QUIXON LOW INSERT FORCE FULLY INSUL QUICK DISCNT INSULKRIMP 22-10 AWG		
		DRAFT WHERE APPLICABLE MUST REMAIN WITHIN DIMENSIONS	MATERIAL NO. SEE CHART	DOCUMENT NO. SD-19276-001	SHEET NO. 1 OF 1		