



Chipsmall Limited consists of a professional team with an average of over 10 year of expertise in the distribution of electronic components. Based in Hongkong, we have already established firm and mutual-benefit business relationships with customers from,Europe,America and south Asia,supplying obsolete and hard-to-find components to meet their specific needs.

With the principle of "Quality Parts,Customers Priority,Honest Operation,and Considerate Service",our business mainly focus on the distribution of electronic components. Line cards we deal with include Microchip,ALPS,ROHM,Xilinx,Pulse,ON,Everlight and Freescale. Main products comprise IC,Modules,Potentiometer,IC Socket,Relay,Connector.Our parts cover such applications as commercial,industrial, and automotives areas.

We are looking forward to setting up business relationship with you and hope to provide you with the best service and solution. Let us make a better world for our industry!



Contact us

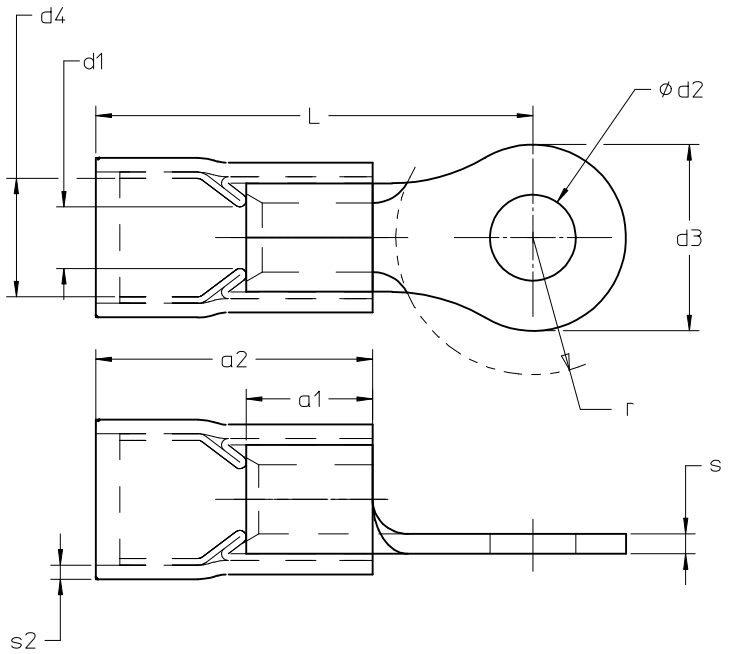
Tel: +86-755-8981 8866 Fax: +86-755-8427 6832

Email & Skype: info@chipsmall.com Web: www.chipsmall.com

Address: A1208, Overseas Decoration Building, #122 Zhenhua RD., Futian, Shenzhen, China



MATERIAL NUMBER	ALTERNATE PART NUMBER	NOM WIRE SIZE AND RANGE (MM ²)	NOM BOLT SIZE (MM)	DIMENSIONS									
				a1 MIN	a2 ±1.0	d1 MIN	d2 ±0.7	d3 ±0.25	d4+0.5/-0	L MAX	r MIN	s1 NOM	s2 MIN
193240001	AA1-832-M2,5	1 (0,5 - 1)	2,5	4,25	10,0	1,6	2,77	6,45	3,2	17,3	4	0,71	0,4
193240002	AA1-832-M3	1 (0,5 - 1)	3	4,25	10,0	1,6	3,29	6,45	3,2	17,3	4,5	0,71	0,4
193240003	AA1-832-M3,5	1 (0,5 - 1)	3,5	4,25	10,0	1,6	3,79	6,45	3,2	17,3	4,5	0,71	0,4
193240004	AA1-821-M4	1 (0,5 - 1)	4	4,25	10,0	1,6	4,39	7,92	3,2	18,1	6	0,71	0,4
193240005	AA1-822-M5	1 (0,5 - 1)	5	4,25	10,0	1,6	5,39	11,86	3,2	21,0	6,5	0,71	0,4
193240006	BB2,5-823-M3	2,5 (1 - 2,5)	3	4,25	10,5	2,1	3,29	6,35	4,1	16,8	4,5	0,79	0,4
193240007	BB2,5-823-M3,5	2,5 (1 - 2,5)	3,5	4,25	10,5	2,1	3,79	6,35	4,1	16,8	4,5	0,79	0,4
193240008	BB2,5-837-M4	2,5 (1 - 2,5)	4	4,25	10,5	2,1	4,39	7,92	4,1	18,5	6	0,79	0,4
193240009	BB2,5-839-M5	2,5 (1 - 2,5)	5	4,25	10,5	2,1	5,39	8,69	4,1	19,2	6,5	0,79	0,4
193240010	BB2,5-825-M6	2,5 (1 - 2,5)	6	4,25	10,5	2,1	6,61	11,86	4,1	21,3	7,5	0,79	0,4
193240011	BB2,5-818-M8	2,5 (1 - 2,5)	8	4,25	10,5	2,1	8,51	13,56	4,1	25,1	10	0,79	0,4
193240012	C6-836-M4	6 (2,5 - 6)	4	6,00	14,0	3,3	4,39	7,16	5,6	23,1	6	1,02	0,5
193240013	C6-828-M5	6 (2,5 - 6)	5	6,00	14,0	3,3	5,39	9,53	5,6	23,0	6,5	1,02	0,5
193240014	C6-830-M6	6 (2,5 - 6)	6	6,00	14,0	3,3	6,61	13,46	5,6	25,3	7,5	1,02	0,5
193240015	C6-830-M8	6 (2,5 - 6)	8	6,00	14,0	3,3	8,51	13,46	5,6	25,3	10	1,02	0,5
193240016	C6-840-M10	6 (2,5 - 6)	10	6,00	14,0	3,3	10,63	14,94	5,6	27,1	12	1,02	0,5



NOTES:
 1. MATERIALS:
 TERMINAL: TIN-PLATED COPPER.
 STRAIN-RELIEF FERRULE: TIN-PLATED COPPER ALLOY
 INSULATION: COLOR-CODED NYLON
 2. PARTS ARE ROHS COMPLIANT.

SALES DRAWING

RELEASE EC NO: WNA2011-0580 DRAWN: ETHRODAHL 2012/07/17 CHKD: JMACNEIL 2012/07/17 APPR: JMACNEIL 2012/12/11 1	QUALITY SYMBOLS ▽=0 ▽=0	GENERAL TOLERANCES (UNLESS SPECIFIED)		DIMENSION STYLE MM ONLY		SCALE ---	DESIGN UNITS METRIC	THIRD ANGLE PROJECTION			
		4 PLACES ± --- ± ---	mm INCH	DRAWN BY ETHRODAHL	DATE 2012/07/17	TITLE METRIC RING TERMINALS AVIKRIMP 0,5 - 6 MM2					
		3 PLACES ± --- ± ---		CHECKED BY JMACNEIL	DATE 2012/07/17	MOLEX INCORPORATED					
		2 PLACES ± 0.05 ± ---		APPROVED BY JMACNEIL	DATE 2012/12/11	MATERIAL NO. SEE CHART	DOCUMENT NO. SD-19324-001	SHEET NO. 1 OF 1			
DRAFT WHERE APPLICABLE MUST REMAIN WITHIN DIMENSIONS		ANGULAR ± ---°		THIS DRAWING CONTAINS INFORMATION THAT IS PROPRIETARY TO MOLEX INCORPORATED AND SHOULD NOT BE USED WITHOUT WRITTEN PERMISSION							