



Chipsmall Limited consists of a professional team with an average of over 10 year of expertise in the distribution of electronic components. Based in Hongkong, we have already established firm and mutual-benefit business relationships with customers from,Europe,America and south Asia,supplying obsolete and hard-to-find components to meet their specific needs.

With the principle of “Quality Parts,Customers Priority,Honest Operation,and Considerate Service”,our business mainly focus on the distribution of electronic components. Line cards we deal with include Microchip,ALPS,ROHM,Xilinx,Pulse,ON,Everlight and Freescale. Main products comprise IC,Modules,Potentiometer,IC Socket,Relay,Connector.Our parts cover such applications as commercial,industrial, and automotives areas.

We are looking forward to setting up business relationship with you and hope to provide you with the best service and solution. Let us make a better world for our industry!



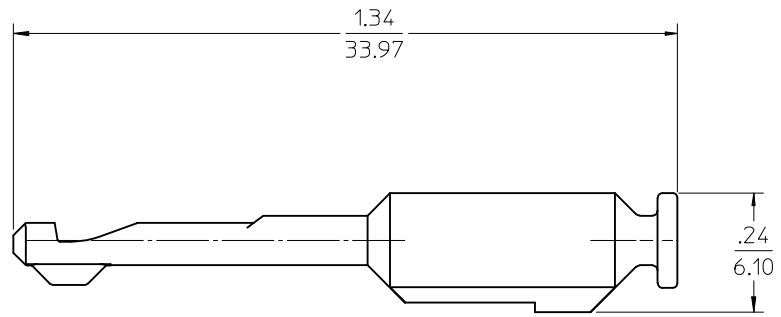
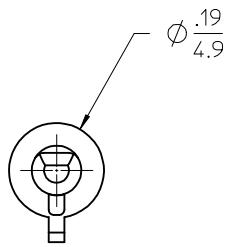
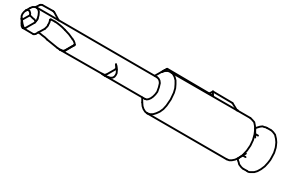
## Contact us

Tel: +86-755-8981 8866 Fax: +86-755-8427 6832

Email & Skype: info@chipsmall.com Web: www.chipsmall.com

Address: A1208, Overseas Decoration Building, #122 Zhenhua RD., Futian, Shenzhen, China





NOTES:

- 1. MATERIAL: POLYBUTYLENE TEREPHTALATE (PBT),  
GLASS FILLED, UL94 V-0  
COLOR: NATURAL
- (A3) 2. PACKAGING: PART IS PACKAGED 144 STRIPS OF 5  
IN A 96707-0023 CARTON, TOTAL SPQ: 720.
- 3. MATES WITH 19418 SERIES RECEPTACLE ASSEMBLIES.

CHANGED SPQ FROM 800 TO 720 EC NO: WNA2009-0408 DRW:WLEUNG 2009/01/05 CHKD:RDEROSS 2009/01/05 APPR:RDEROSS 2009/01/05	DESCRIPTION REV	QUALITY SYMBOLS	GENERAL TOLERANCES (UNLESS SPECIFIED)		DIMENSION STYLE		SCALE	DESIGN UNITS	THIRD ANGLE PROJECTION		
		▼=0 ∇=0	mm	INCH	IN/MM		1:1	INCH	CIRCUIT PLUG, MX150L, W-T-B		
		4 PLACES ± --- ± --- 3 PLACES ± --- ± .005 2 PLACES ± 0.13 ± .010 1 PLACE ± 0.25 ± ---			DRAWN BY WLEUNG CHECKED BY WLEUNG APPROVED BY RDEROSS	DATE 08/07/17 DATE 08/07/17 DATE 08/07/17					
		DRAFT WHERE APPLICABLE MUST REMAIN WITHIN DIMENSIONS	ANGULAR ± 3 °		MATERIAL NO. 194170263 SIZE B	DOCUMENT NO. SD-19417-0263	SHEET NO. 1 OF 1				