



Chipsmall Limited consists of a professional team with an average of over 10 year of expertise in the distribution of electronic components. Based in Hongkong, we have already established firm and mutual-benefit business relationships with customers from,Europe,America and south Asia,supplying obsolete and hard-to-find components to meet their specific needs.

With the principle of “Quality Parts,Customers Priority,Honest Operation,and Considerate Service”,our business mainly focus on the distribution of electronic components. Line cards we deal with include Microchip,ALPS,ROHM,Xilinx,Pulse,ON,Everlight and Freescale. Main products comprise IC,Modules,Potentiometer,IC Socket,Relay,Connector.Our parts cover such applications as commercial,industrial, and automotives areas.

We are looking forward to setting up business relationship with you and hope to provide you with the best service and solution. Let us make a better world for our industry!



## Contact us

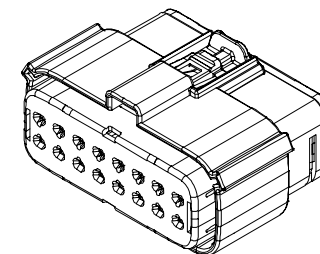
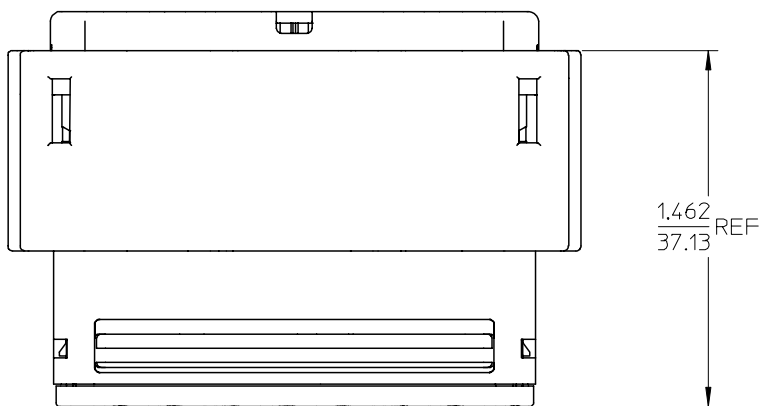
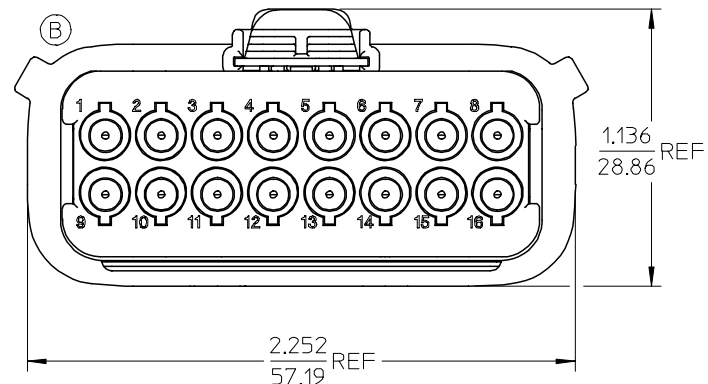
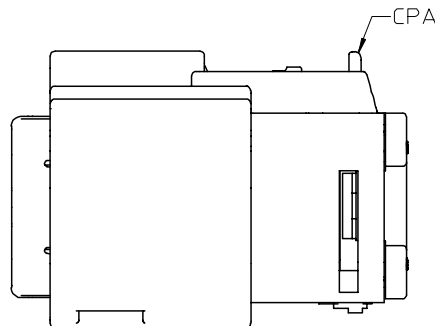
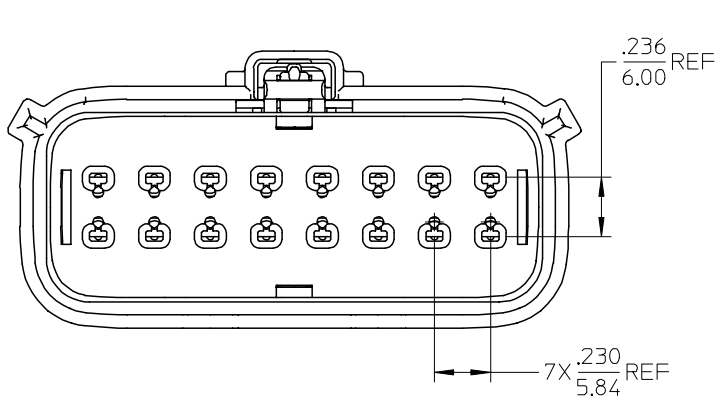
Tel: +86-755-8981 8866 Fax: +86-755-8427 6832

Email & Skype: info@chipsmall.com Web: www.chipsmall.com

Address: A1208, Overseas Decoration Building, #122 Zhenhua RD., Futian, Shenzhen, China



10 9 8 7 6 5 4 3 2 19418



194180039	16	16-14	NO
194180040	16	22-18	
194180030	16	16-14	YES
194180029	16	22-18	
MATERIAL NUMBER	CIRCUIT SIZE	UL WIRE AWG	CPA

NOTES:

1. ASSEMBLY PACKAGED PER PK-19418-001.
2. USE CONNECTOR WITH FEMALE CRIMP TERMINAL: SERIES 19420.

EC NO: ETC2005-0074 DRWN: DMYRICK 2004/10/15 CHKD: JPAWLICK 2004/10/15 APPR: RDEROSS 2004/10/15	QUALITY SYMBOLS ▽ = 0 ▽C = 0	GENERAL TOLERANCES (UNLESS SPECIFIED)		SCALE 2:1	DESIGN UNITS INCH	THIRD ANGLE PROJECTION	REVISE ON CAD ONLY	
			mm	INCH	DIMENSION STYLE IN/MM	TITLE		
		4 PLACES	± ---	± ---			16 WAY RECEPTACLE ASSEMBLY	
		3 PLACES	± ---	± .015				
		2 PLACES	± 0.38	± ---	DRAWN BY DMYRICK	DATE 03/12/29		
		1 PLACE	± ---	± ---	CHECKED BY JPAWLICK	DATE 03/12/29		
			ANGULAR ± 1 °		APPROVED BY RDEROSS	DATE 03/12/29	MATERIAL NO. SEE CHART	
		DRAFT WHERE APPLICABLE					DOCUMENT NO. SD-19418-007	
		MUST REMAIN WITHIN DIMENSIONS					SHEET NO. 1 OF 1	
		THIS DRAWING CONTAINS INFORMATION THAT IS PROPRIETARY TO MOLEX INCORPORATED AND SHOULD NOT BE USED WITHOUT WRITTEN PERMISSION						

8 7 6 5 4 3 2 1