



Chipsmall Limited consists of a professional team with an average of over 10 year of expertise in the distribution of electronic components. Based in Hongkong, we have already established firm and mutual-benefit business relationships with customers from,Europe,America and south Asia,supplying obsolete and hard-to-find components to meet their specific needs.

With the principle of “Quality Parts,Customers Priority,Honest Operation,and Considerate Service”,our business mainly focus on the distribution of electronic components. Line cards we deal with include Microchip,ALPS,ROHM,Xilinx,Pulse,ON,Everlight and Freescale. Main products comprise IC,Modules,Potentiometer,IC Socket,Relay,Connector.Our parts cover such applications as commercial,industrial, and automotives areas.

We are looking forward to setting up business relationship with you and hope to provide you with the best service and solution. Let us make a better world for our industry!



Contact us

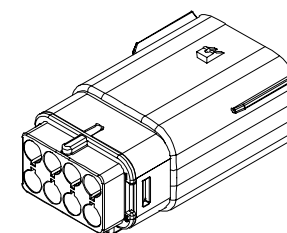
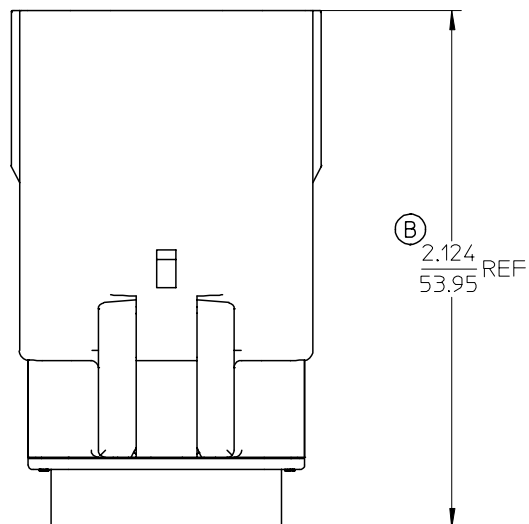
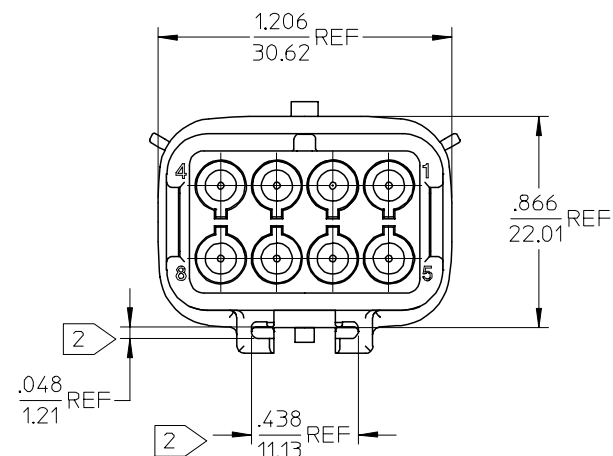
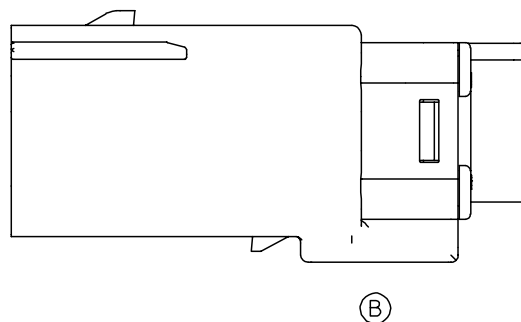
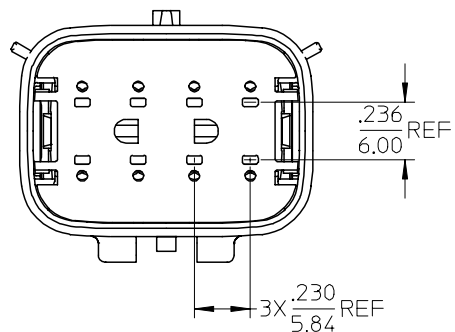
Tel: +86-755-8981 8866 Fax: +86-755-8427 6832

Email & Skype: info@chipsmall.com Web: www.chipsmall.com

Address: A1208, Overseas Decoration Building, #122 Zhenhua RD., Futian, Shenzhen, China



10 9 8 7 6 5 4 3 2 19419



ASSEMBLED VIEW
SCALE 1:1

194190002	8	16-14
194190001	8	22-18
MATERIAL NUMBER	CIRCUIT SIZE	UL WIRE AWG

NOTES:

1. ASSEMBLY BULK PACKAGED PER PK-19419-001
2. MOUNTING SLOT DIMENSIONS.
3. USE CONNECTOR WITH MALE CRIMP TERMINAL: SERIES 19417.

EC NO: ETC2004-0202 DRWN:DMYRICK 2004/06/03 CHKD:JPAWLIC 2004/06/03 APPR:JPAWLIC 2004/06/03	QUALITY SYMBOLS	GENERAL TOLERANCES (UNLESS SPECIFIED)		SCALE 2:1	DESIGN UNITS INCH	THIRD ANGLE PROJECTION	REVISE ON CAD ONLY	
	DESCRIPTION ▼ = 0 ∇ = 0	4 PLACES	mm	INCH	DIMENSION STYLE IN/MM		TITLE 8 WAY PLUG ASSEMBLY	
		3 PLACES	± ---	± ---	DRAWN BY B.RUPERT	DATE 12/06/02	MATERIAL NO. SEE CHART	
		2 PLACES	± 0.13	± .01	CHECKED BY J.PAWLIC	DATE 12/06/02	DOCUMENT NO. SD-19419-003	SHEET NO. 1 OF 1
	1 PLACE	± 0.25	± ---	APPROVED BY R.DEROSS		MATERIAL NO. SEE CHART		
		ANGULAR ±1/2°		DATE 12/06/02		DOCUMENT NO. SD-19419-003		
		DRAFT WHERE APPLICABLE		THIS DRAWING CONTAINS INFORMATION THAT IS PROPRIETARY TO MOLEX INCORPORATED AND SHOULD NOT BE USED WITHOUT WRITTEN PERMISSION		B		
		MUST REMAIN WITHIN DIMENSIONS						

8 7 6 5 4 3 2 1