



Chipsmall Limited consists of a professional team with an average of over 10 year of expertise in the distribution of electronic components. Based in Hongkong, we have already established firm and mutual-benefit business relationships with customers from,Europe,America and south Asia,supplying obsolete and hard-to-find components to meet their specific needs.

With the principle of "Quality Parts,Customers Priority,Honest Operation,and Considerate Service",our business mainly focus on the distribution of electronic components. Line cards we deal with include Microchip,ALPS,ROHM,Xilinx,Pulse,ON,Everlight and Freescale. Main products comprise IC,Modules,Potentiometer,IC Socket,Relay,Connector.Our parts cover such applications as commercial,industrial, and automotives areas.

We are looking forward to setting up business relationship with you and hope to provide you with the best service and solution. Let us make a better world for our industry!



Contact us

Tel: +86-755-8981 8866 Fax: +86-755-8427 6832

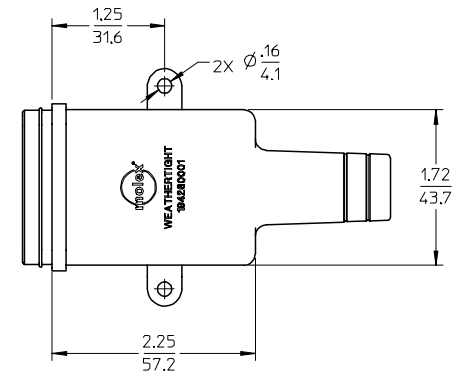
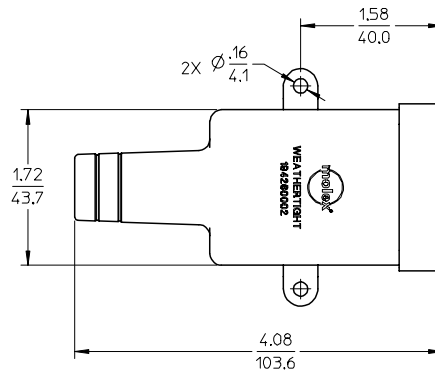
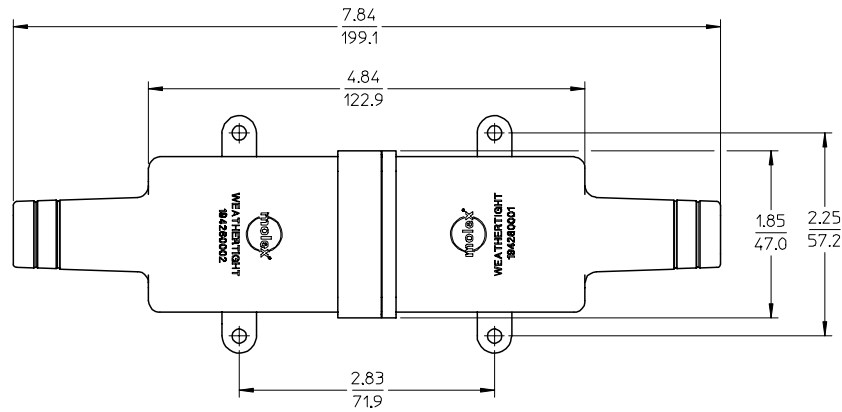
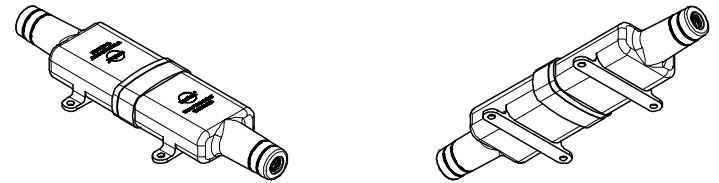
Email & Skype: info@chipsmall.com Web: www.chipsmall.com

Address: A1208, Overseas Decoration Building, #122 Zhenhua RD., Futian, Shenzhen, China

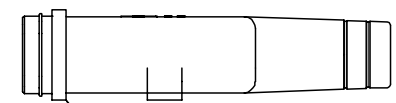
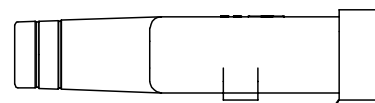
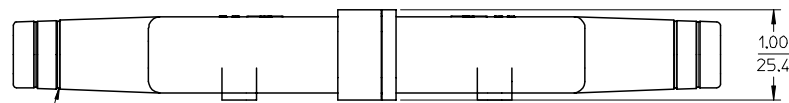


J
I
H
G
F
E
D
C
B
A

J
I
H
G
F
E
D
C
B
A



ASSEMBLED VIEWS



4X GROOVE PROVIDED AS CUT OFF GUIDE FOR USER WHEN USING THICK INSULATION TYPE CABLE.

194260002- FEMALE BOOT

194260001- MALE BOOT

NOTES:

1. MATERIAL: THERMOPLASTIC ELASTOMER. COLOR: BLACK. UV RESISTANCE: UL "F1".
2. PARTS ARE PACKAGED 15 EACH PER CARTON.

EC NO: ETC2004-0150 DRWN: DMYRICK 2004/01/21 CHKD: JPAWLICK 2004/01/21 APPR: RDEROSS 2004/01/21	QUALITY SYMBOLS	GENERAL TOLERANCES (UNLESS SPECIFIED)	SCALE 1:1	DESIGN UNITS INCH	THIRD ANGLE PROJECTION	REVISE ON CAD ONLY															
	▽ -0 ◻ -0	<table border="1"> <tr> <th></th> <th>mm</th> <th>INCH</th> </tr> <tr> <td>4 PLACES</td> <td>± ---</td> <td>± ---</td> </tr> <tr> <td>3 PLACES</td> <td>± ---</td> <td>± ---</td> </tr> <tr> <td>2 PLACES</td> <td>± ---</td> <td>± .025</td> </tr> <tr> <td>1 PLACE</td> <td>± 0.64</td> <td>± ---</td> </tr> </table>		mm	INCH	4 PLACES	± ---	± ---	3 PLACES	± ---	± ---	2 PLACES	± ---	± .025	1 PLACE	± 0.64	± ---	DIMENSION STYLE IN/MM	TITLE	WEATHER-TIGHT MALE/FEMALE BOOT, 16-12 AWG, SC POWER CONNECTOR	
			mm	INCH																	
		4 PLACES	± ---	± ---																	
3 PLACES	± ---	± ---																			
2 PLACES	± ---	± .025																			
1 PLACE	± 0.64	± ---																			
DRAFT WHERE APPLICABLE MUST REMAIN WITHIN DIMENSIONS	DRAWN BY DATE DMYRICK 04/01/06 CHECKED BY DATE JPAWLICK 04/01/06 APPROVED BY DATE RDEROSS 04/01/06	MOLEX INCORPORATED MATERIAL NO. SEE DRAWING DOCUMENT NO. SD-19426-001 SHEET NO. 1 OF 1																			
REV A	THIS DRAWING CONTAINS INFORMATION THAT IS PROPRIETARY TO MOLEX INCORPORATED AND SHOULD NOT BE USED WITHOUT WRITTEN PERMISSION																				