



Chipsmall Limited consists of a professional team with an average of over 10 year of expertise in the distribution of electronic components. Based in Hongkong, we have already established firm and mutual-benefit business relationships with customers from,Europe,America and south Asia,supplying obsolete and hard-to-find components to meet their specific needs.

With the principle of “Quality Parts,Customers Priority,Honest Operation,and Considerate Service”,our business mainly focus on the distribution of electronic components. Line cards we deal with include Microchip,ALPS,ROHM,Xilinx,Pulse,ON,Everlight and Freescale. Main products comprise IC,Modules,Potentiometer,IC Socket,Relay,Connector.Our parts cover such applications as commercial,industrial, and automotives areas.

We are looking forward to setting up business relationship with you and hope to provide you with the best service and solution. Let us make a better world for our industry!



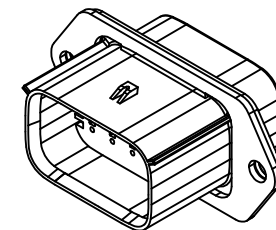
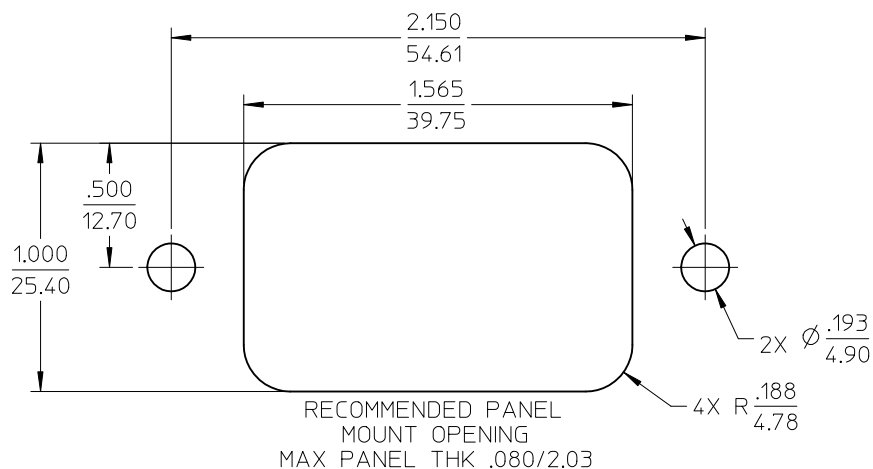
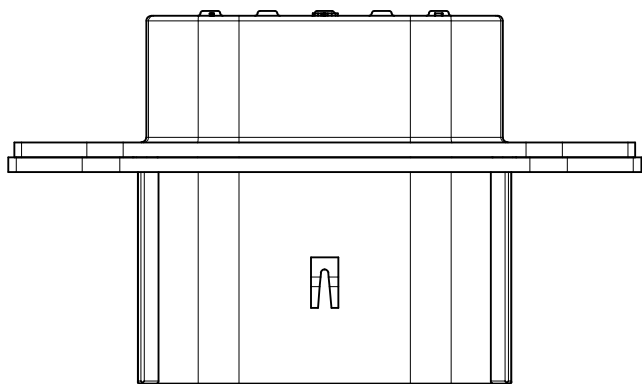
Contact us

Tel: +86-755-8981 8866 Fax: +86-755-8427 6832

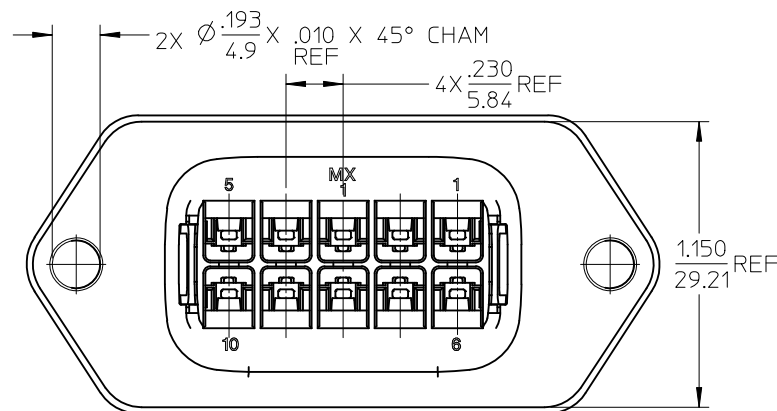
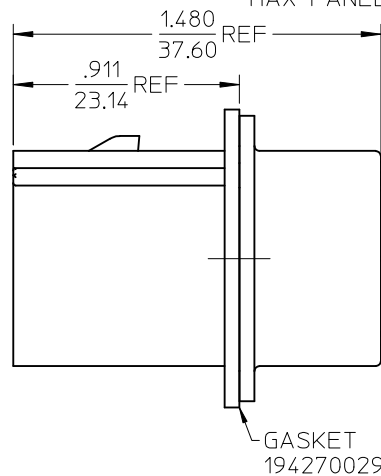
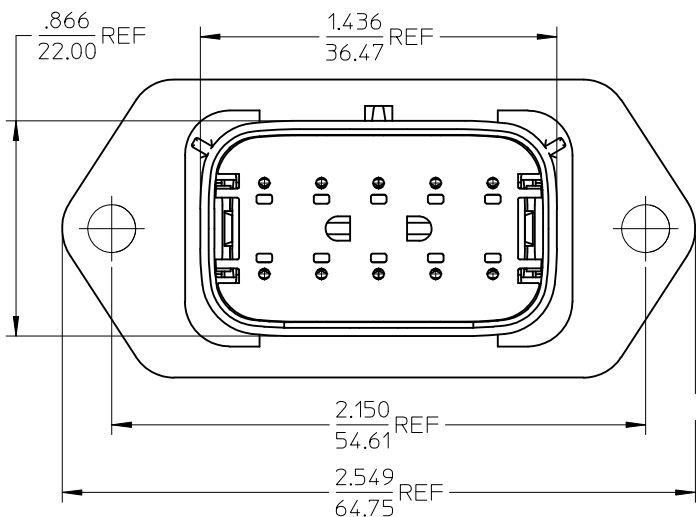
Email & Skype: info@chipsmall.com Web: www.chipsmall.com

Address: A1208, Overseas Decoration Building, #122 Zhenhua RD., Futian, Shenzhen, China





ASSEMBLED VIEW
SCALE 1:1



(B)

- NOTES:
 1. MATERIALS:
 HOUSING: POLYESTER (PBT), GLASS FILLED, UL94 V-0.COLOR: BLACK
 GASKET: EPDM RUBBER
 2. PRODUCT SPECIFICATION: PS-19417-001.
 3. PACKAGING SPECIFICATION: PK-19429-001.
 GASKETS, IF REQUIRED FOR THE ASSEMBLIES, ARE BULK PACKAGED IN A SEPARATE BAG.
 4. MATES WITH: 19418 SERIES RECEPTACLE ASSEMBLIES.
 5. USE CONNECTOR WITH MALE CRIMP TERMINAL: SERIES 19417.
 6. RECOMMENDED MOUNTING HARDWARE: (2) #10 X .62/15.8 LONG
 PLASTIC THREAD CUTTING SCREWS, RECOMMENDED TORQUE 15-17 IN-LBS.
 SUGGESTED SOURCE: ITW SHAKEPROOF INDUSTRIAL BOSSCREW OR EQUIVALENT.
 7. ASSEMBLY IS ROHS COMPLIANT.

REVISE NOTES EC NO: IPG2012-0161 DRWN: WLEUNG 2012/02/10 CHKD: CHYK APPR: DITITUS 2012/02/28	QUALITY SYMBOLS	GENERAL TOLERANCES (UNLESS SPECIFIED)	SCALE 2:1	DESIGN UNITS INCH
	-0 C/-0	mm INCH	DIMENSION STYLE	
		4 PLACES ± --- ± --- 3 PLACES ± --- ± .015 2 PLACES ± 0.38 ± --- 1 PLACE ± --- ± ---	IN/MM	
		ANGULAR ± 1°	DRAWN BY DMYRICK	DATE 04/07/20
	DRAFT WHERE APPLICABLE	CHECKED BY JPAWLICK	DATE 04/07/20	
	MUST REMAIN WITHIN DIMENSIONS	APPROVED BY RDEROSS	DATE 04/07/20	

194290046	YES
194290030	NO
MATERIAL NUMBER	GASKET
THIRD ANGLE PROJECTION	REVISE ON CAD ONLY
TITLE 10 WAY PLUG PANEL MOUNT ASSEMBLY W/O BOSS 22-14 AWG	
MOLEX INCORPORATED	
MATERIAL NO.	DOCUMENT NO.
SEE CHART SD-19429-014	SHEET NO. 1 OF 1