



Chipsmall Limited consists of a professional team with an average of over 10 year of expertise in the distribution of electronic components. Based in Hongkong, we have already established firm and mutual-benefit business relationships with customers from,Europe,America and south Asia,supplying obsolete and hard-to-find components to meet their specific needs.

With the principle of “Quality Parts,Customers Priority,Honest Operation,and Considerate Service”,our business mainly focus on the distribution of electronic components. Line cards we deal with include Microchip,ALPS,ROHM,Xilinx,Pulse,ON,Everlight and Freescale. Main products comprise IC,Modules,Potentiometer,IC Socket,Relay,Connector.Our parts cover such applications as commercial,industrial, and automotives areas.

We are looking forward to setting up business relationship with you and hope to provide you with the best service and solution. Let us make a better world for our industry!



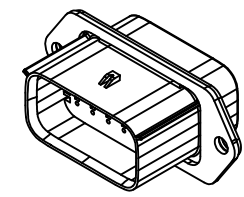
## Contact us

Tel: +86-755-8981 8866 Fax: +86-755-8427 6832

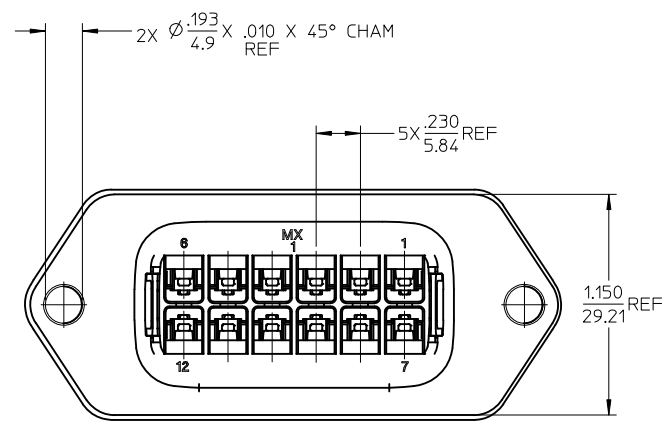
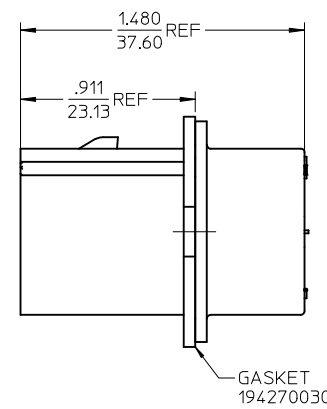
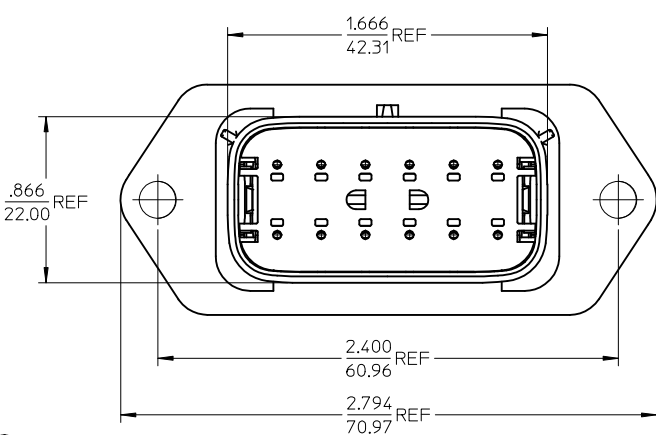
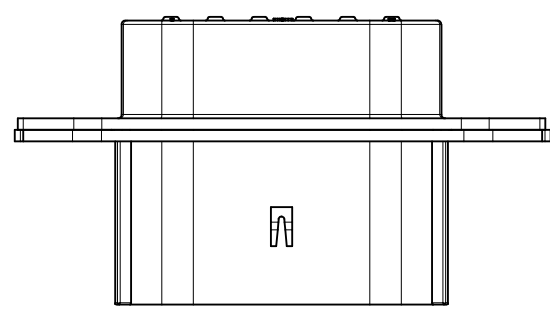
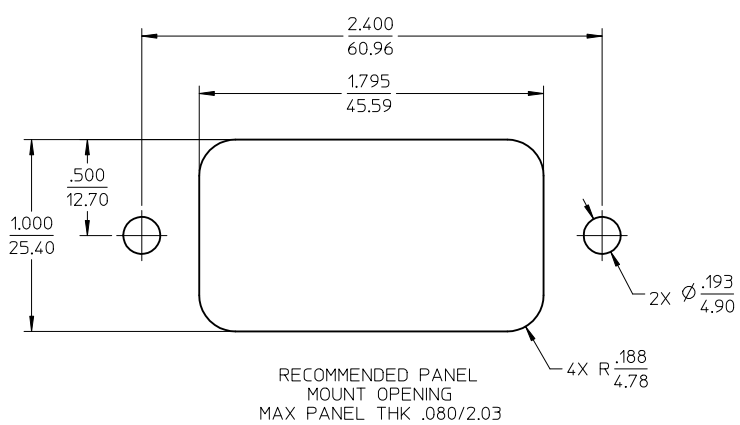
Email & Skype: info@chipsmall.com Web: www.chipsmall.com

Address: A1208, Overseas Decoration Building, #122 Zhenhua RD., Futian, Shenzhen, China





ASSEMBLED VIEW  
SCALE 1:1



ⓑ

- NOTES:  
 1. MATERIALS:  
 HOUSING: POLYESTER (PBT), GLASS FILLED, UL94 V-0, COLOR: BLACK  
 GASKET: EPDM RUBBER  
 2. PRODUCT SPECIFICATION: PS-19417-001.  
 3. PACKAGING SPECIFICATION: PK-19429-001.  
 GASKETS, IF REQUIRED FOR THE ASSEMBLIES,  
 ARE BULK PACKAGED IN A SEPARATE BAG.  
 4. MATES WITH: 19418 SERIES RECEPTACLE ASSEMBLIES.  
 5. USE CONNECTOR WITH MALE CRIMP TERMINAL: SERIES 19417.  
 6. RECOMMENDED MOUNTING HARDWARE: (2) #10 X .62/15.8 LONG  
 PLASTIC THREAD CUTTING SCREWS, RECOMMENDED TORQUE 15-17 IN-LBS.  
 SUGGESTED SOURCE: ITW SHAKEPROOF INDUSTRIAL BOSSCREW OR EQUIVALENT.  
 7. ASSEMBLY IS ROHS COMPLIANT.

194290047	YES
194290031	NO
MATERIAL NUMBER	GASKET

REVISE NOTES EC NO: IPG2012-0161 DRWN: WLEUNG 2012/02/10 CHKD: APPR: DITTIUS 2012/02/28	QUALITY SYMBOLS ▽ - 0 ∇ - 0	GENERAL TOLERANCES (UNLESS SPECIFIED)		SCALE 2:1	DESIGN UNITS INCH	THIRD ANGLE PROJECTION	REVISE ON CAD ONLY		
		4 PLACES ± --- ± ---	3 PLACES ± --- ± .015	DIMENSION STYLE IN/MM					
		2 PLACES ± 0.38 ± ---	1 PLACE ± --- ± ---	DRAWN BY DMYRICK	DATE 04/07/21	TITLE 12 WAY PLUG PANEL MOUNT ASSEMBLY W/O BOSS 22-14 AWG			
		ANGULAR ± 1 °		CHECKED BY JPAWLICK	DATE 04/07/21	MOLEX MOLEX INCORPORATED			
DRAFT WHERE APPLICABLE MUST REMAIN WITHIN DIMENSIONS		APPROVED BY RDEROSS	DATE 04/07/21	MATERIAL NO. SEE CHART	DOCUMENT NO. SD-19429-015	SHEET NO. 1 OF 1	THIS DRAWING CONTAINS INFORMATION THAT IS PROPRIETARY TO MOLEX INCORPORATED AND SHOULD NOT BE USED WITHOUT WRITTEN PERMISSION		