



Chipsmall Limited consists of a professional team with an average of over 10 year of expertise in the distribution of electronic components. Based in Hongkong, we have already established firm and mutual-benefit business relationships with customers from,Europe,America and south Asia,supplying obsolete and hard-to-find components to meet their specific needs.

With the principle of “Quality Parts,Customers Priority,Honest Operation,and Considerate Service”,our business mainly focus on the distribution of electronic components. Line cards we deal with include Microchip,ALPS,ROHM,Xilinx,Pulse,ON,Everlight and Freescale. Main products comprise IC,Modules,Potentiometer,IC Socket,Relay,Connector.Our parts cover such applications as commercial,industrial, and automotives areas.

We are looking forward to setting up business relationship with you and hope to provide you with the best service and solution. Let us make a better world for our industry!



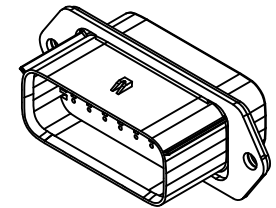
Contact us

Tel: +86-755-8981 8866 Fax: +86-755-8427 6832

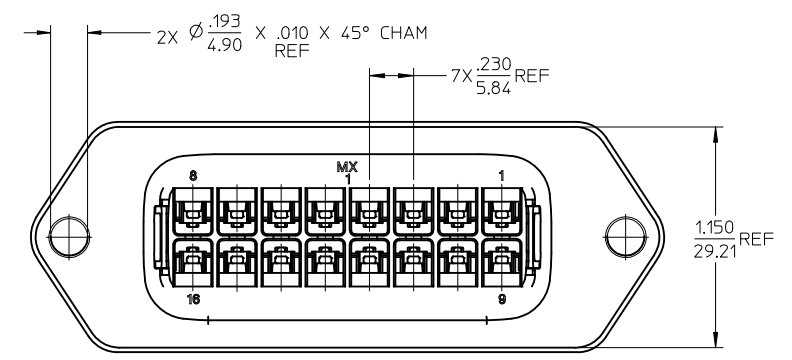
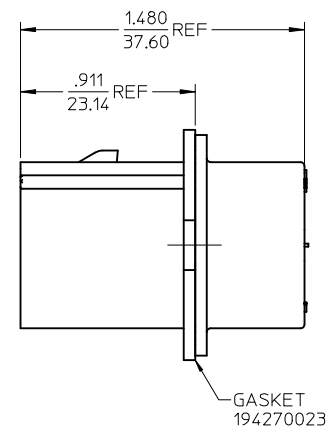
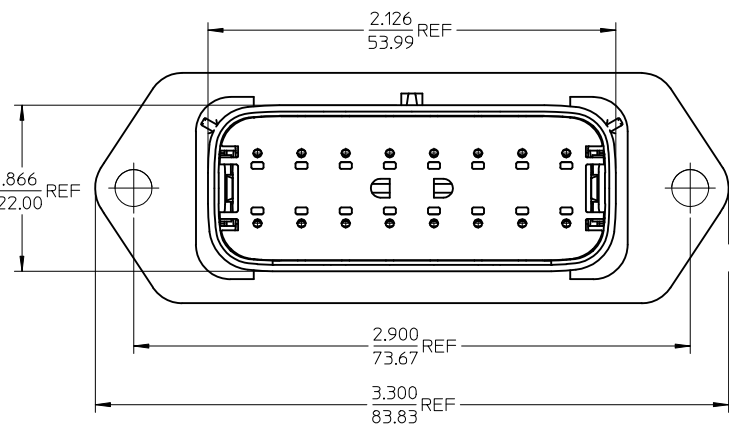
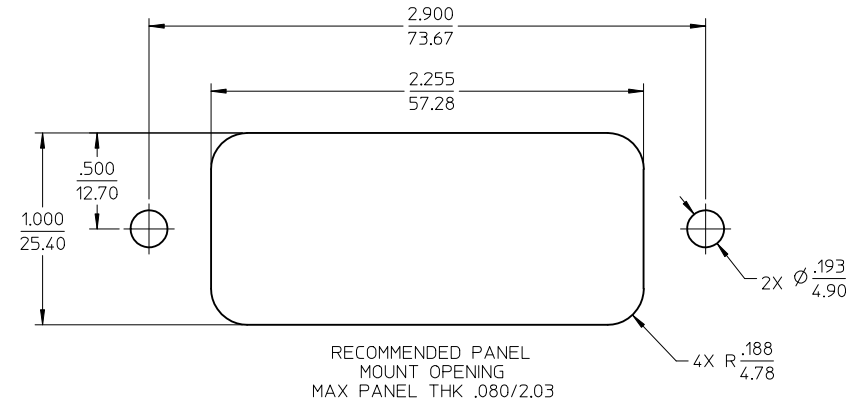
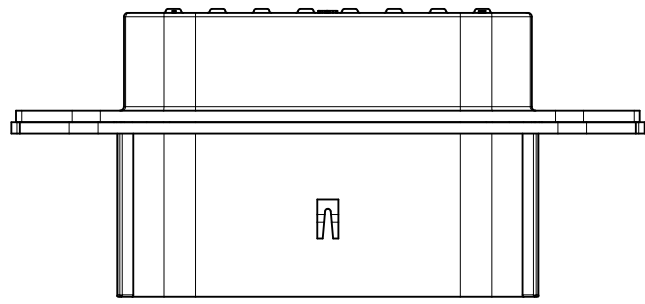
Email & Skype: info@chipsmall.com Web: www.chipsmall.com

Address: A1208, Overseas Decoration Building, #122 Zhenhua RD., Futian, Shenzhen, China





ASSEMBLED VIEW
SCALE 1:1



- ②
- NOTES:
1. MATERIALS:
HOUSING: POLYESTER (PBT), GLASS FILLED, UL94 V-0,COLOR: BLACK
GASKET: EPDM RUBBER
 2. PRODUCT SPECIFICATION: PS-19417-001.
 3. PACKAGING SPECIFICATION: PK-19429-001.
GASKETS, IF REQUIRED FOR THE ASSEMBLIES,
ARE BULK PACKAGED IN A SEPARATE BAG.
 4. MATES WITH: 19418 SERIES RECEPTACLE ASSEMBLIES.
 5. USE CONNECTOR WITH MALE CRIMP TERMINAL: SERIES 19417.
 6. RECOMMENDED MOUNTING HARDWARE: (2) #10 X .62/15.8 LONG
PLASTIC THREAD CUTTING SCREWS, RECOMMENDED TORQUE 15-17 IN-LBS.
SUGGESTED SOURCE: ITW SHAKEPROOF INDUSTRIAL BOSSCREW OR EQUIVALENT.
 7. ASSEMBLY IS ROHS COMPLIANT.

REVISE NOTES		EC NO: IPG2012-0161		DRWN:WLEUNG 2012/02/10		CHKD:		APPR:DTITUS 2012/02/28		QUALITY SYMBOLS		GENERAL TOLERANCES (UNLESS SPECIFIED)		SCALE 2:1		DESIGN UNITS INCH		THIRD ANGLE PROJECTION		REVISE ON CAD ONLY	
REV		B		DESCRIPTION		▽-0		▽C-0		4 PLACES ± --- ± ---		3 PLACES ± --- ± .015		2 PLACES ± 0.38 ± ---		1 PLACE ± --- ± ---		ANGULAR ± 1 °		DRAFT WHERE APPLICABLE	
MUST REMAIN WITHIN DIMENSIONS		DRAWN BY		DATE		DMYRICK		04/07/21		CHECKED BY		DATE		JPAWLICK		04/07/21		MATERIAL NO.		DOCUMENT NO.	
THIS DRAWING CONTAINS INFORMATION THAT IS PROPRIETARY TO MOLEX INCORPORATED AND SHOULD NOT BE USED WITHOUT WRITTEN PERMISSION		RDEROSS		DATE		04/07/21		SEE CHART		SD-19429-016		SHEET NO.		1 OF 1							

194290048	YES
194290032	NO
MATERIAL NUMBER	GASKET

TITLE
16 WAY PLUG PANEL MOUNT ASSEMBLY W/O BOSS 22-14 AWG

MOLEX MOLEX INCORPORATED