



Chipsmall Limited consists of a professional team with an average of over 10 year of expertise in the distribution of electronic components. Based in Hongkong, we have already established firm and mutual-benefit business relationships with customers from,Europe,America and south Asia,supplying obsolete and hard-to-find components to meet their specific needs.

With the principle of “Quality Parts,Customers Priority,Honest Operation,and Considerate Service”,our business mainly focus on the distribution of electronic components. Line cards we deal with include Microchip,ALPS,ROHM,Xilinx,Pulse,ON,Everlight and Freescale. Main products comprise IC,Modules,Potentiometer,IC Socket,Relay,Connector.Our parts cover such applications as commercial,industrial, and automotives areas.

We are looking forward to setting up business relationship with you and hope to provide you with the best service and solution. Let us make a better world for our industry!



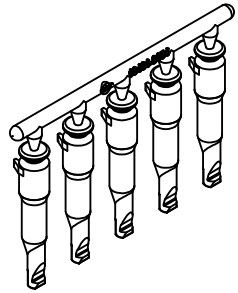
Contact us

Tel: +86-755-8981 8866 Fax: +86-755-8427 6832

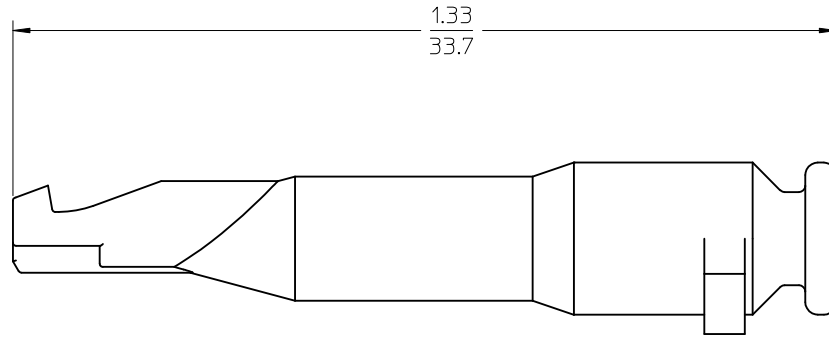
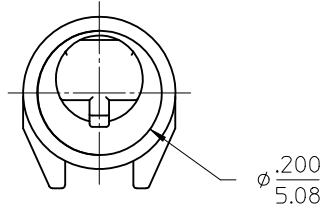
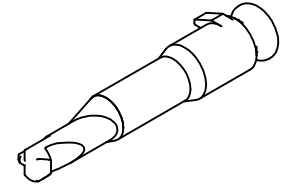
Email & Skype: info@chipsmall.com Web: www.chipsmall.com

Address: A1208, Overseas Decoration Building, #122 Zhenhua RD., Futian, Shenzhen, China





SPRUE ASSY
194310054



SINGLE PART
SCALE 5:1

NOTES:

1. GENERIC MATERIAL NAME: POLYBUTYLENE TEREPHTALATE
MATERIAL ABBREVIATION: PBT
COLOR: NATURAL
GLASS FILLED, UL94 V-0
2. PART IS DESIGNED TO BE USED ON 19432 SERIES RECEPACLE ASSEMBLIES.
3. PART IS PACKAGED 60 STRIPS OF 10 IN A 96707-0023 CARTON.
4. MATERIAL IS ROHS COMPLIANT.

| | | | | | | | | | | |
|--|--|----------------------|---|---|--|--|---------------------------|---------------------------|--------------|------------------------|
| RELEASE EC NO: WNA2010-0203 DRAWN BY: WLEUNG CHKD: DTITUS APPR: DTITUS | 2009/10/05 2009/10/05 2010/05/10 | DESCRIPTION REV A | QUALITY SYMBOLS | GENERAL TOLERANCES (UNLESS SPECIFIED) | | DIMENSION STYLE | | SCALE | DESIGN UNITS | THIRD ANGLE PROJECTION |
| | | | ▽=0 ▽E=0 | mm INCH | IN/MM | 2:1 | INCH | MEX MOLEX INCORPORATED | | |
| | | | 4 PLACES ± --- ± --- 3 PLACES ± --- ± .010 2 PLACES ± 0.26 ± .02 1 PLACE ± 0.5 ± --- | DRAWN BY: WLEUNG CHECKED BY: DTITUS APPROVED BY: DTITUS | DATE: 2009/10/05 DATE: 2009/10/05 DATE: 2010/05/07 | TITLE MX 150L CIRCUIT PLUG W-T-B, 12-10-8AWG | | | | |
| | | | ANGULAR ± 1 ° | | MATERIAL NO. 194310054 | | DOCUMENT NO. SD-19431-054 | SHEET NO. 1 OF 1 | | |
| DRAFT WHERE APPLICABLE MUST REMAIN WITHIN DIMENSIONS | | | | THIS DRAWING CONTAINS INFORMATION THAT IS PROPRIETARY TO MOLEX INCORPORATED AND SHOULD NOT BE USED WITHOUT WRITTEN PERMISSION | | | | | | |