



Chipsmall Limited consists of a professional team with an average of over 10 year of expertise in the distribution of electronic components. Based in Hongkong, we have already established firm and mutual-benefit business relationships with customers from,Europe,America and south Asia,supplying obsolete and hard-to-find components to meet their specific needs.

With the principle of “Quality Parts,Customers Priority,Honest Operation,and Considerate Service”,our business mainly focus on the distribution of electronic components. Line cards we deal with include Microchip,ALPS,ROHM,Xilinx,Pulse,ON,Everlight and Freescale. Main products comprise IC,Modules,Potentiometer,IC Socket,Relay,Connector.Our parts cover such applications as commercial,industrial, and automotives areas.

We are looking forward to setting up business relationship with you and hope to provide you with the best service and solution. Let us make a better world for our industry!



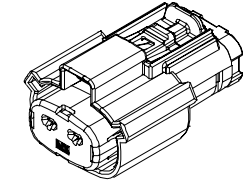
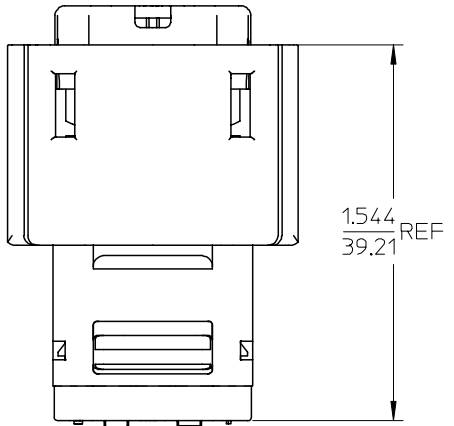
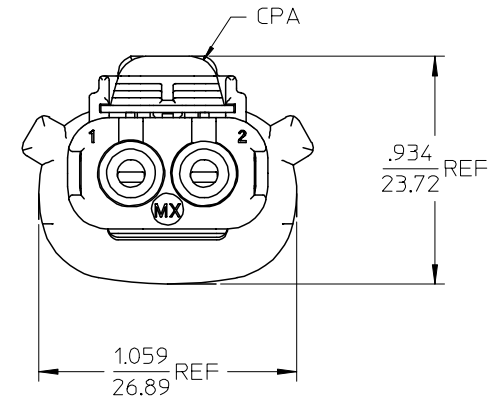
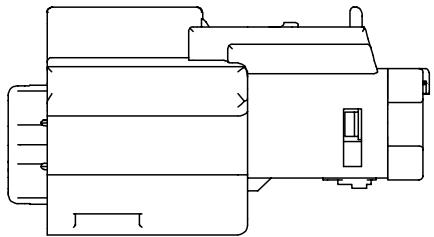
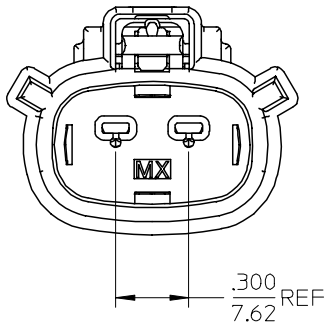
## Contact us

Tel: +86-755-8981 8866 Fax: +86-755-8427 6832

Email & Skype: info@chipsmall.com Web: www.chipsmall.com

Address: A1208, Overseas Decoration Building, #122 Zhenhua RD., Futian, Shenzhen, China





194320013	10-12	YES
194320014	8	
194320015	10-12	NO
194320016	8	
MATERIAL NUMBER	UL WIRE AWG	CPA

NOTES:  
 1. ASSEMBLY PACKAGED PER PK-19432-001  
 2. USE CONNECTOR WITH FEMALE CRIMP TERMINAL: SERIES 19434.

<b>PRODUCT RELEASE</b> EC NO: ETC2005-0069 DRWN:BRUPERT 2004/10/25 CHKD:JPWLICK 2004/10/25 APPR:RDEROSS 2004/10/25	QUALITY SYMBOLS ▽=0 ▽=0	GENERAL TOLERANCES (UNLESS SPECIFIED)		DIMENSION STYLE IN/MM	SCALE 2:1	DESIGN UNITS INCH	THIRD ANGLE PROJECTION	
		4 PLACES ± --- ± --- 3 PLACES ± --- ± .015 2 PLACES ± 0.38 ± --- 1 PLACE ± --- ± ---	DRAWN BY B.RUPERT DATE 04/09/29	CHECKED BY JPWLICK DATE 04/09/29	TITLE 2 WAY RECEPTACLE ASSEMBLY			
		ANGULAR ± 1 °	APPROVED BY R.DEROSS DATE 04/09/29	MATERIAL NO. SEE CHART DOCUMENT NO. SD-19432-001				
	DRAFT WHERE APPLICABLE MUST REMAIN WITHIN DIMENSIONS	SIZE B	SHEET NO. 1 OF 1 THIS DRAWING CONTAINS INFORMATION THAT IS PROPRIETARY TO MOLEX INCORPORATED AND SHOULD NOT BE USED WITHOUT WRITTEN PERMISSION					