



Chipsmall Limited consists of a professional team with an average of over 10 year of expertise in the distribution of electronic components. Based in Hongkong, we have already established firm and mutual-benefit business relationships with customers from,Europe,America and south Asia,supplying obsolete and hard-to-find components to meet their specific needs.

With the principle of “Quality Parts,Customers Priority,Honest Operation,and Considerate Service”,our business mainly focus on the distribution of electronic components. Line cards we deal with include Microchip,ALPS,ROHM,Xilinx,Pulse,ON,Everlight and Freescale. Main products comprise IC,Modules,Potentiometer,IC Socket,Relay,Connector.Our parts cover such applications as commercial,industrial, and automotives areas.

We are looking forward to setting up business relationship with you and hope to provide you with the best service and solution. Let us make a better world for our industry!



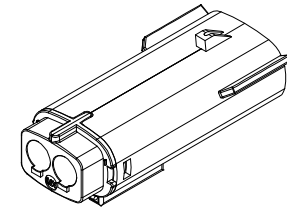
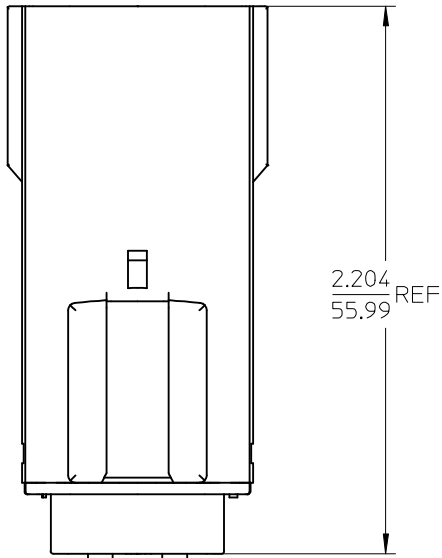
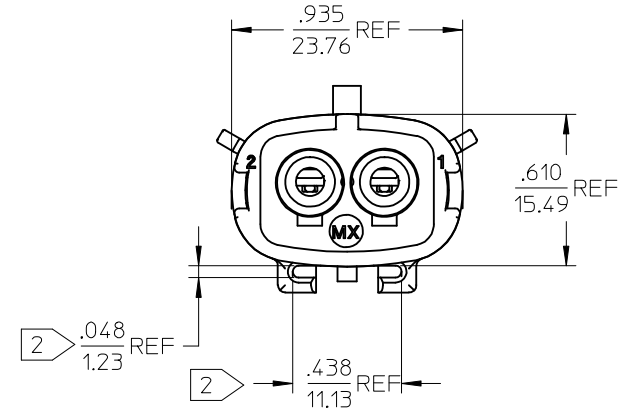
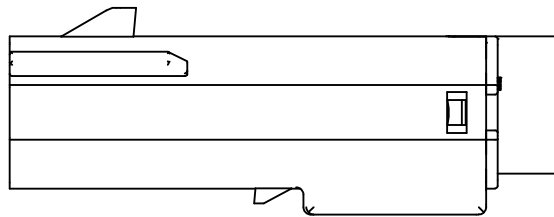
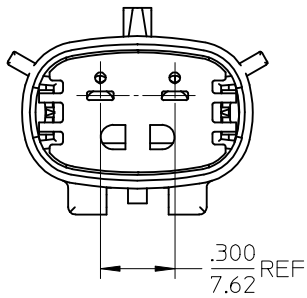
Contact us

Tel: +86-755-8981 8866 Fax: +86-755-8427 6832

Email & Skype: info@chipsmall.com Web: www.chipsmall.com

Address: A1208, Overseas Decoration Building, #122 Zhenhua RD., Futian, Shenzhen, China





194330013	10-12
194330014	8
MATERIAL NUMBER	UL WIRE AWG

RE-LINK 3D MODEL EC NO: IPG2016-1257 DRW: MWLEUNG 2016/03/14 CHK: CHZ/IEL/INSKI 2016/03/15 APPR: BWOODMAN 2016/03/22	QUALITY SYMBOLS	GENERAL TOLERANCES (UNLESS SPECIFIED)		DIMENSION STYLE		SCALE	DESIGN UNITS	THIRD ANGLE PROJECTION		
	▼=0 ▽=0	mm		IN/MM		1:1		INCH		
		4 PLACES	± ---	± ---	DRAWN BY	DATE	TITLE			
		3 PLACES	± ---	± .015	B. RUPERT	04/09/29				
2 PLACES	± 0.38	± ---	CHECKED BY	DATE	2 WAY PLUG ASSEMBLY MX150L					
1 PLACE	± ---	± ---	JPAWLICK	04/09/29						
	ANGULAR ± 1°		APPROVED BY		DATE	MATERIAL NO.		DOCUMENT NO.		
	DRAFT WHERE APPLICABLE MUST REMAIN WITHIN DIMENSIONS		R. DEROSS		04/09/29	SEE CHART		SD-19433-001		
			MATERIAL NO.			SIZE B		SHEET NO.		
						THIS DRAWING CONTAINS INFORMATION THAT IS PROPRIETARY TO MOLEX INCORPORATED AND SHOULD NOT BE USED WITHOUT WRITTEN PERMISSION		1 OF 1		

- NOTES:
- ASSEMBLY PACKAGED PER PK-19433-001
 - USE CONNECTOR WITH MALE CRIMP TERMINAL: SERIES 19431.