



Chipsmall Limited consists of a professional team with an average of over 10 year of expertise in the distribution of electronic components. Based in Hongkong, we have already established firm and mutual-benefit business relationships with customers from,Europe,America and south Asia,supplying obsolete and hard-to-find components to meet their specific needs.

With the principle of "Quality Parts,Customers Priority,Honest Operation,and Considerate Service",our business mainly focus on the distribution of electronic components. Line cards we deal with include Microchip,ALPS,ROHM,Xilinx,Pulse,ON,Everlight and Freescale. Main products comprise IC,Modules,Potentiometer,IC Socket,Relay,Connector.Our parts cover such applications as commercial,industrial, and automotives areas.

We are looking forward to setting up business relationship with you and hope to provide you with the best service and solution. Let us make a better world for our industry!



## Contact us

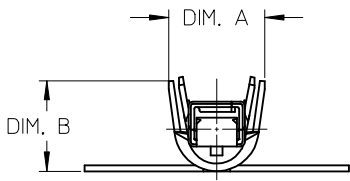
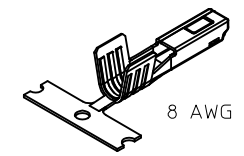
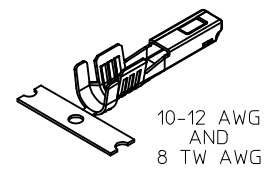
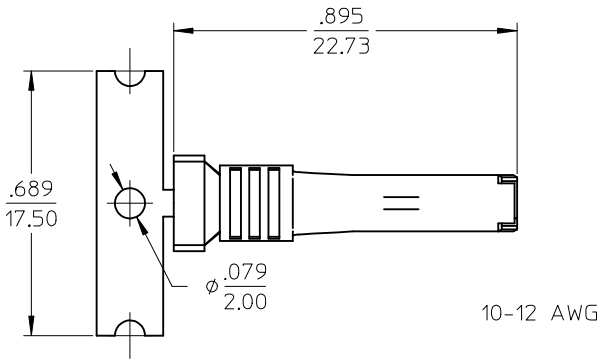
Tel: +86-755-8981 8866 Fax: +86-755-8427 6832

Email & Skype: info@chipsmall.com Web: www.chipsmall.com

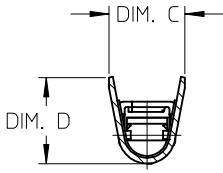
Address: A1208, Overseas Decoration Building, #122 Zhenhua RD., Futian, Shenzhen, China



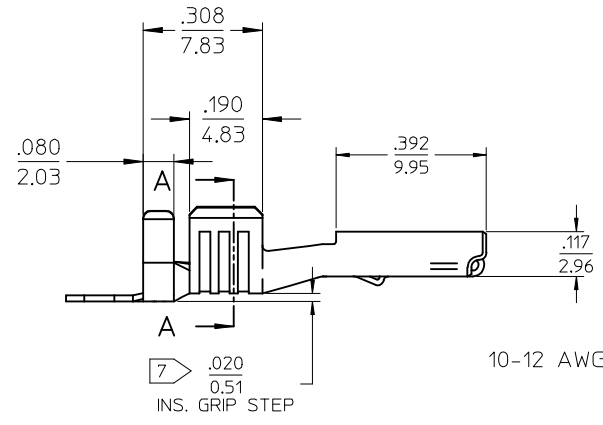
STRIP MATERIAL NUMBER	LOOSE PIECE MATERIAL NUMBER	AWG SIZE	DIM. "A"	DIM. "B"	DIM. "C"	DIM. "D"	WIRE INSULATION DIAMETER
194340001	194340003	10-12	.250/6.35	.236/6.00	.197/5.00	.226/5.74	.153-.191* (3.90-4.85MM)
194340002	194340004	8	N/A	N/A	.240/6.10	.276/7.00	.248-.264* (6.30-6.70MM)



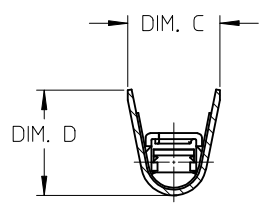
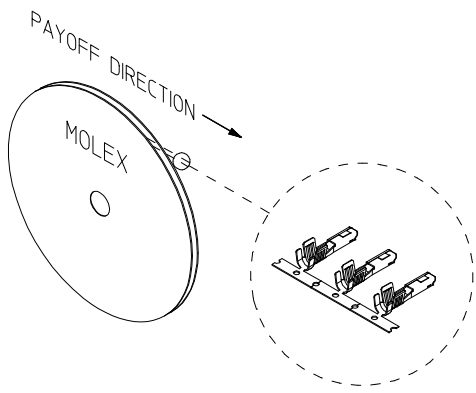
INSULATION CRIMP



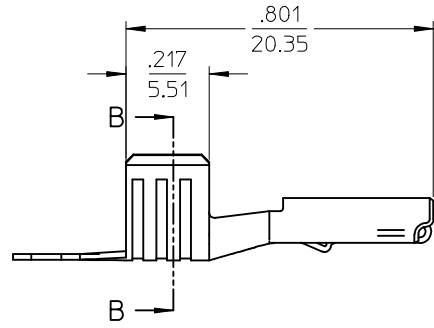
CONDUCTOR CRIMP SECTION A-A



10-12 AWG



CONDUCTOR CRIMP ONLY SECTION B-B



8 AWG SAME AS 10-12 AWG EXCEPT AS NOTED

- NOTES:
1. MATERIAL: COPPER ALLOY.
  2. FINISH: PREPLATED AND REFLOWED OVERALL. 100μ TIN OVER 50μ NICKEL, MINIMUM.
  3. TERMINALS FOR USE WITH 19432\*\*\*\* RECEPTACLE HOUSING ASSEMBLY.
  4. PRODUCT SPECIFICATION: PS-19431-001.
  5. PACKAGING SPECIFICATION: PK-19434-001 FOR LOOSE TERMINALS. STRIP PARTS ARE REELED 2500 TERMINALS PER REEL.
  6. APPLICATION TOOLING AND CRIMP SPECIFICATIONS: CONSULT FACTORY
  7. FOR 10-12 AWG TERMINAL: INSULATION GRIP STEP DIMENSION NOT TO BE ALTERED BY CRIMP PROCESS.
  8. ALL DIMENSIONS ARE REFERENCE.

ADD NOTES 7 & 8 EC NO: IFG2013-1364 DRWN: WLEUNG 2013/06/11 CHKD: BRUPERT 2013/09/06 APPR: JEMURPHY 2013/12/26	QUALITY SYMBOLS	GENERAL TOLERANCES (UNLESS SPECIFIED)	SCALE 4:1	DESIGN UNITS INCH	THIRD ANGLE PROJECTION	REVISE ON CAD ONLY														
	▼ - 0 ∇ - 0		<table border="1"> <thead> <tr> <th></th> <th>mm</th> <th>INCH</th> </tr> </thead> <tbody> <tr> <td>4 PLACES</td> <td>± ---</td> <td>± ---</td> </tr> <tr> <td>3 PLACES</td> <td>± ---</td> <td>± .010</td> </tr> <tr> <td>2 PLACES</td> <td>± 0.25</td> <td>± .02</td> </tr> <tr> <td>1 PLACE</td> <td>± 0.5</td> <td>± ---</td> </tr> </tbody> </table> ANGULAR ± 3°		mm	INCH	4 PLACES	± ---	± ---	3 PLACES	± ---	± .010	2 PLACES	± 0.25	± .02	1 PLACE	± 0.5	± ---	DIMENSION STYLE IN/MM	TITLE
		mm	INCH																	
	4 PLACES	± ---	± ---																	
3 PLACES	± ---	± .010																		
2 PLACES	± 0.25	± .02																		
1 PLACE	± 0.5	± ---																		
	DRAFT WHERE APPLICABLE MUST REMAIN WITHIN DIMENSIONS	DRAWN BY BRUPERT CHECKED BY JPWLICK APPROVED BY RDEROSS	DATE 01/25/05 DATE 01/25/05 DATE 01/25/05	FEMALE RECEPTACLE MX150L TERMINAL, 10-12.8 AWG AWG, .098/2.50X.031/0.79 MOLEX INCORPORATED																
			THIS DRAWING CONTAINS INFORMATION THAT IS PROPRIETARY TO MOLEX INCORPORATED AND SHOULD NOT BE USED WITHOUT WRITTEN PERMISSION	MATERIAL NO. SEE CHART DOCUMENT NO. SD-19434-001 SHEET NO. 1 OF 1																