



Chipsmall Limited consists of a professional team with an average of over 10 year of expertise in the distribution of electronic components. Based in Hongkong, we have already established firm and mutual-benefit business relationships with customers from,Europe,America and south Asia,supplying obsolete and hard-to-find components to meet their specific needs.

With the principle of “Quality Parts,Customers Priority,Honest Operation,and Considerate Service”,our business mainly focus on the distribution of electronic components. Line cards we deal with include Microchip,ALPS,ROHM,Xilinx,Pulse,ON,Everlight and Freescale. Main products comprise IC,Modules,Potentiometer,IC Socket,Relay,Connector.Our parts cover such applications as commercial,industrial, and automotives areas.

We are looking forward to setting up business relationship with you and hope to provide you with the best service and solution. Let us make a better world for our industry!



Contact us

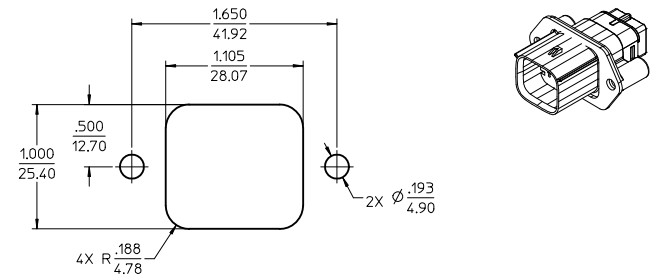
Tel: +86-755-8981 8866 Fax: +86-755-8427 6832

Email & Skype: info@chipsmall.com Web: www.chipsmall.com

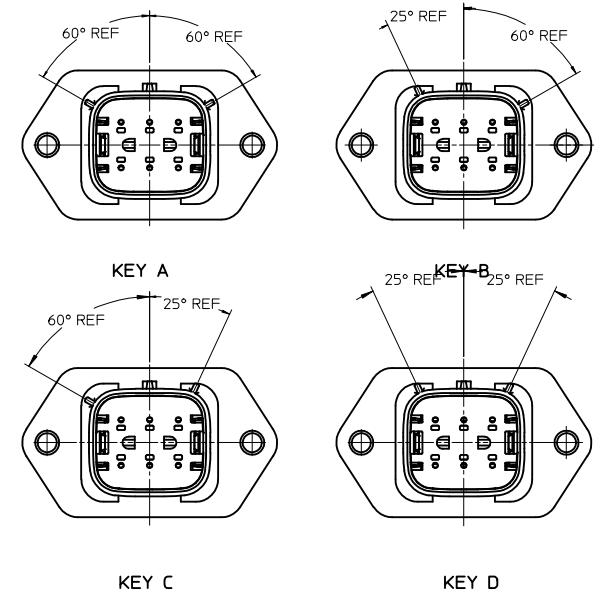
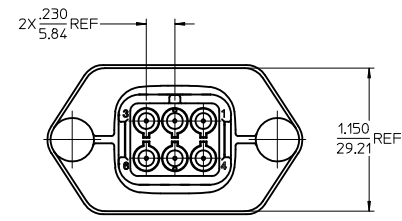
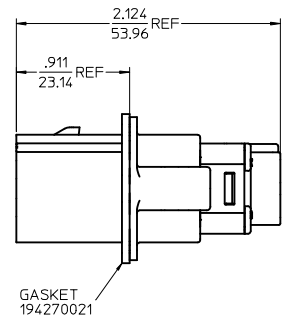
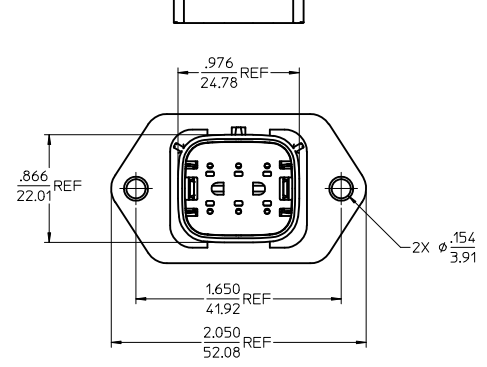
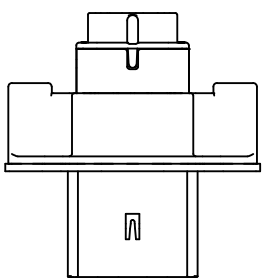
Address: A1208, Overseas Decoration Building, #122 Zhenhua RD., Futian, Shenzhen, China



MATERIAL NUMBER	WIRE GAGE	GASKET	KEYING OPTION	COLOR
194350611	16-14	YES	A	BLACK
194350612	22-18	YES	A	BLACK
194350613	16-14	NO	A	BLACK
194350614	22-18	NO	A	BLACK
194350616	16-14	YES	B	GRAY
194350617	22-18	YES	B	GRAY
194350618	16-14	NO	B	GRAY
194350619	22-18	NO	B	GRAY
194350621	16-14	YES	C	BROWN
194350622	22-18	YES	C	BROWN
194350623	16-14	NO	C	BROWN
194350624	22-18	NO	C	BROWN
194350626	16-14	YES	D	GREEN
194350627	22-18	YES	D	GREEN
194350628	16-14	NO	D	GREEN
194350629	22-18	NO	D	GREEN



RECOMMENDED PANEL MOUNT OPENING
MAX PANEL THK .080/2.03



NOTES:

- MATERIALS:
HOUSING: POLYESTER (PBT), GLASS FILLED, UL94 V-0, COLOR: SEE CHART.
SEAL: SILICONE RUBBER.
GASKET: EPDM RUBBER.
- PRODUCT SPECIFICATION: PS-19417-001.
- PACKAGING SPECIFICATION: PK-19435-001.
GASKETS, IF REQUIRED FOR THE ASSEMBLIES, ARE BULK PACKAGED IN A SEPARATE BAG.
- MATES WITH: 19418 SERIES RECEPTACLE ASSEMBLIES.
- USE CONNECTOR WITH MALE CRIMP TERMINAL: SERIES 19417.
- RECOMMENDED MOUNTING HARDWARE: (2) #10 X .62/15.8 LONG PLASTIC THREAD CUTTING SCREWS. RECOMMENDED TORQUE 15-17 IN-LBS. SUGGESTED SOURCE: ITW SHAKEPROOF INDUSTRIAL BOSSCREW OR EQUIVALENT.

UPDATE NOTES IEC NO: FPG2012-0303 DRAWN/LENG: 2011/02/28 CHKD: APPR:DTJLUS 2012/02/28	QUALITY SYMBOLS ▽=0 ▽=0	GENERAL TOLERANCES (UNLESS SPECIFIED): mm INCH 4 PLACES ± --- ± --- 3 PLACES ± --- ± .015 2 PLACES ± 0.38 ± --- 1 PLACE ± --- ± --- ANGULAR ± 2 °		DIMENSION STYLE IN/MM		SCALE 2:1	DESIGN UNITS INCH	THIRD ANGLE PROJECTION
		DRAFT WHERE APPLICABLE MUST REMAIN WITHIN DIMENSIONS		DRAWN BY: JPWLICKI CHECKED BY: JPWLICKI APPROVED BY: RDEROSS DATE: 02/09/05 DATE: 02/10/05 DATE: 02/11/05	TITLE 6 WAY SEALED PLUG PANEL MOUNT ASSEMBLY, 22-14 AWG, "A-D" POLARIZATION		MOLEX INCORPORATED	
WATERLAW NO. SEE CHART			DOCUMENT NO. SD-19435-006		SHEET NO. 1 OF 1		THIS DRAWING CONTAINS INFORMATION THAT IS PROPRIETARY TO MOLEX INCORPORATED AND SHOULD NOT BE USED WITHOUT WRITTEN PERMISSION	