



Chipsmall Limited consists of a professional team with an average of over 10 year of expertise in the distribution of electronic components. Based in Hongkong, we have already established firm and mutual-benefit business relationships with customers from,Europe,America and south Asia,supplying obsolete and hard-to-find components to meet their specific needs.

With the principle of “Quality Parts,Customers Priority,Honest Operation,and Considerate Service”,our business mainly focus on the distribution of electronic components. Line cards we deal with include Microchip,ALPS,ROHM,Xilinx,Pulse,ON,Everlight and Freescale. Main products comprise IC,Modules,Potentiometer,IC Socket,Relay,Connector.Our parts cover such applications as commercial,industrial, and automotives areas.

We are looking forward to setting up business relationship with you and hope to provide you with the best service and solution. Let us make a better world for our industry!



Contact us

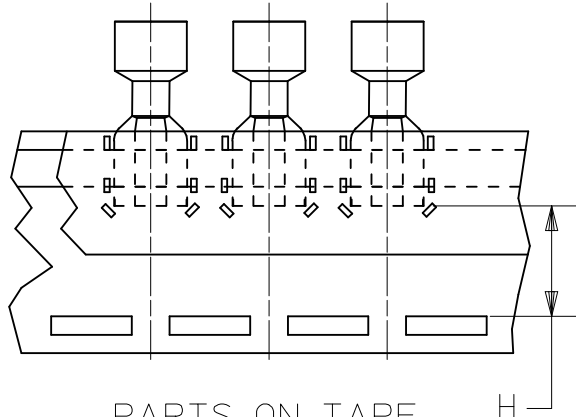
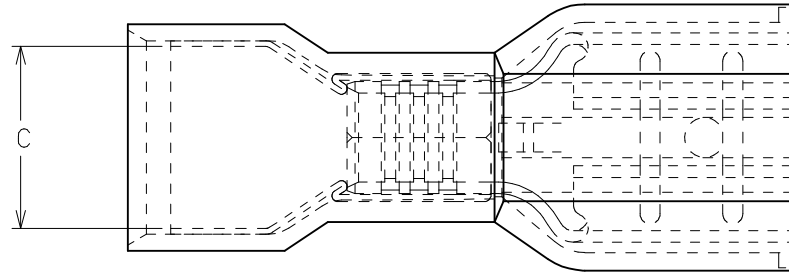
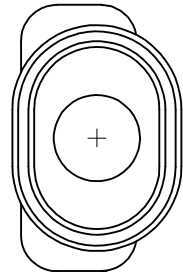
Tel: +86-755-8981 8866 Fax: +86-755-8427 6832

Email & Skype: info@chipsmall.com Web: www.chipsmall.com

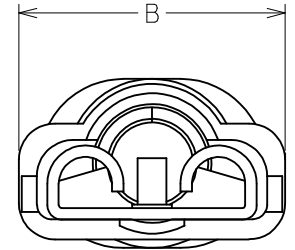
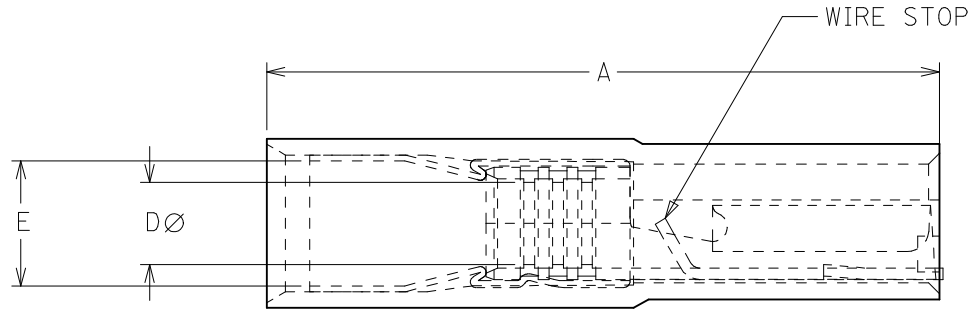
Address: A1208, Overseas Decoration Building, #122 Zhenhua RD., Futian, Shenzhen, China



13	12	11	10	9	8	7	6	5	4	3	2	1
PART NO.	CARRIER STYLE	TAB SIZE	COLOR	A MAX	B MAX	C MIN	D MIN (D1)	E MWID	H NOMINAL			
J	19600-1300	LOOSE PIECE	.250 X .032	YELLOW	.960/24.38	.385/9.78	.245/6.22	.110/2.79	.170/4.31	N/A		
	19600-1302	LOOSE PIECE	.187 X .020	YELLOW	.880/22.36	.330/8.39	.245/6.22	.110/2.79	.170/4.31			
	19600-1304	LOOSE PIECE	.187 X .032	YELLOW	.880/22.36	.330/8.39	.245/6.22	.110/2.79	.170/4.31			
	19600-1306	TAPE MOUNT	.250 X .032	YELLOW	.960/24.38	.385/9.78	.245/6.22	.110/2.79	.170/4.31	.56/14.2		
	19600-1307	TAPE MOUNT	.187 X .020	YELLOW	.880/22.36	.330/8.39	.245/6.22	.110/2.79	.170/4.31	.64/16.3		
I	19600-1308	TAPE MOUNT	.187 X .032	YELLOW	.880/22.36	.330/8.39	.245/6.22	.110/2.79	.170/4.31			



PARTS ON TAPE
(SCALE 2:1)



1. TERMINAL MATERIAL: BRASS
2. TERMINAL PLATING: TIN
3. INSULATION MATERIAL: NYLON
4. MWID= MAXIMUM WIRE INSULATION DIAMETER.
5. PARTS TO ACCEPT TWO 22, 20, 18 & 16 OR A COMBINATION OF ANY TWO OF THESE WIRE GAUGES.
6. PART IS RoHS COMPLIANT.

CORRECTED ID MIN EC NO: IPG2017-0590 DRAWING: JASO1 2016/12/14 CHKD: JMACNEIL 2016/12/14 APPR: JMACNEIL 2016/12/16	QUALITY SYMBOLS ▽=0 ▽=0	GENERAL TOLERANCES (UNLESS SPECIFIED)		DIMENSION STYLE IN/MM	SCALE 10:1	DESIGN UNITS INCH	THIRD ANGLE PROJECTION	
		4 PLACES ± --- ± ---	3 PLACES ± --- ± .005	DRAWN BY HEB	DATE	TITLE AVIKRIMP FIQD OVAL EXP. TWO(22,20,18, & 16 AWG) .187 & .250 TAB WIDTH		
		2 PLACES ± 0.13 ± .01	1 PLACE ± 0.25 ± ---	CHECKED BY RWD	DATE	MATERIAL NO. SEE CHART	DOCUMENT NO. SD-19600-1300	SHEET NO. 1 OF 1
		ANGULAR ± ---°		APPROVED BY RWD		MOLEX INCORPORATED		
DRAFT WHERE APPLICABLE MUST REMAIN WITHIN DIMENSIONS		SIZE C		THIS DRAWING CONTAINS INFORMATION THAT IS PROPRIETARY TO MOLEX INCORPORATED AND SHOULD NOT BE USED WITHOUT WRITTEN PERMISSION				