



Chipsmall Limited consists of a professional team with an average of over 10 year of expertise in the distribution of electronic components. Based in Hongkong, we have already established firm and mutual-benefit business relationships with customers from,Europe,America and south Asia,supplying obsolete and hard-to-find components to meet their specific needs.

With the principle of “Quality Parts,Customers Priority,Honest Operation,and Considerate Service”,our business mainly focus on the distribution of electronic components. Line cards we deal with include Microchip,ALPS,ROHM,Xilinx,Pulse,ON,Everlight and Freescale. Main products comprise IC,Modules,Potentiometer,IC Socket,Relay,Connector.Our parts cover such applications as commercial,industrial, and automotives areas.

We are looking forward to setting up business relationship with you and hope to provide you with the best service and solution. Let us make a better world for our industry!



Contact us

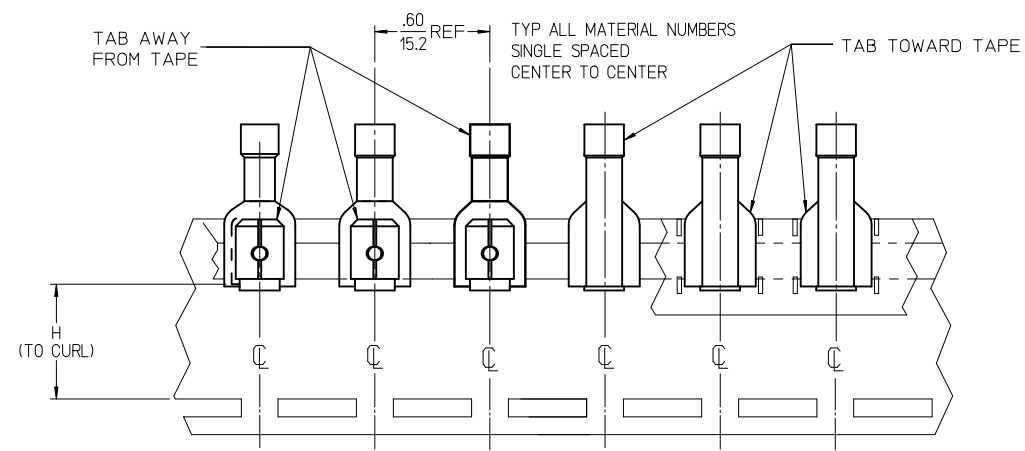
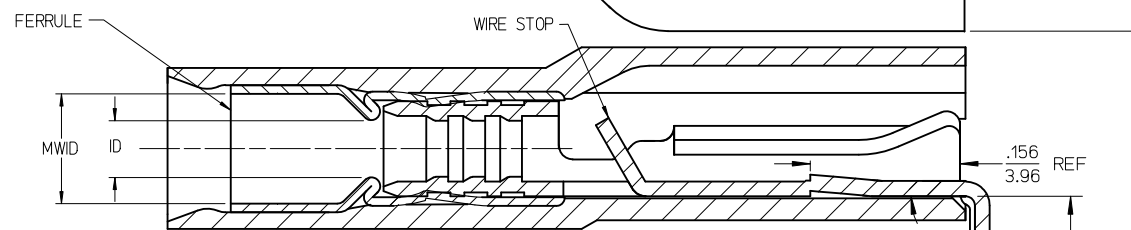
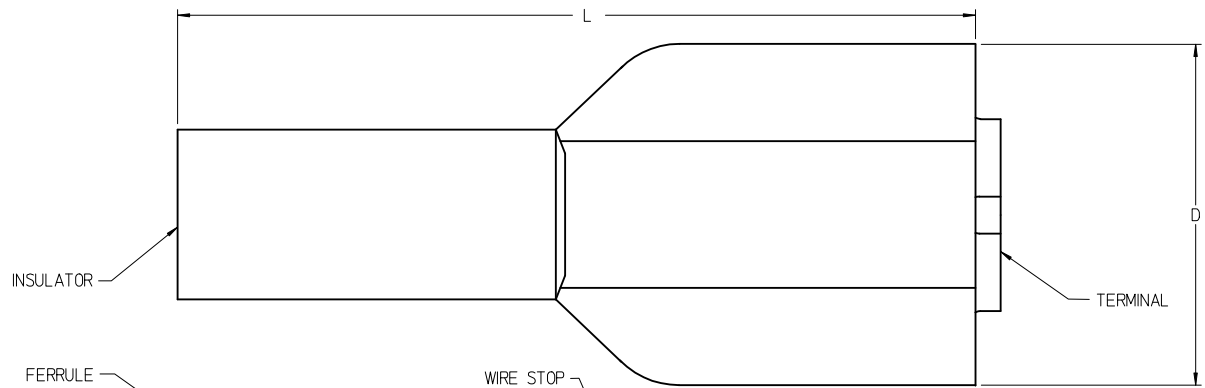
Tel: +86-755-8981 8866 Fax: +86-755-8427 6832

Email & Skype: info@chipsmall.com Web: www.chipsmall.com

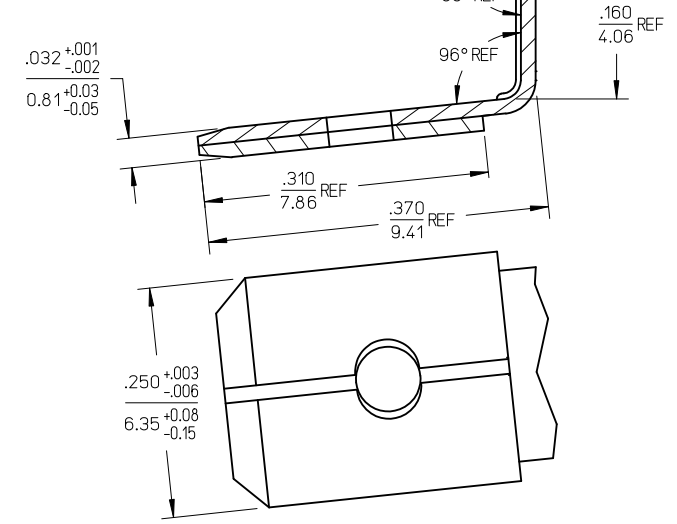
Address: A1208, Overseas Decoration Building, #122 Zhenhua RD., Futian, Shenzhen, China



13	12	11	10	9	8	7	6	5	4	3	2	1
MATERIAL NO. LOOSE PC	ENGINEERING NO. LOOSE PC	MATERIAL NO. ON TAPE	ENGINEERING NO. ON TAPE	WIRE SIZE	INSULATOR COLOR	ID MIN REF	MWID	D MAX	L MAX	H NOMINAL	BARE TAB POSITION	
196020004	19602-0004	196020010	19602-0010	22-18 AWG	RED	.058/1.47	.116/2.95	.380/9.65	.880/22.35	.54/13.7	AWAY FROM TAPE	
196020005	19602-0005	196020011	19602-0011	16-14 AWG	BLUE	.079/2.00	.139/3.53	.380/9.65	.880/22.35	.54/13.7	AWAY FROM TAPE	
196020006	19602-0006	196020012	19602-0012	12-10 AWG	YELLOW	.144/3.66	.231/5.87	.380/9.65	1.020/25.91	.57/14.4	TOWARD TAPE	



PARTS ON TAPE
(SCALE 2:1)



NOTES:

1. TERMINAL MATERIAL: BRASS
2. TERMINAL FINISH: TIN PLATED
3. INSULATOR MATERIAL: NYLON
4. FERRULE MATERIAL: COPPER ALLOY Ⓢ
5. FERRULE FINISH: TIN PLATED
6. MWID = MAXIMUM WIRE INSULATION DIAMETER.
7. ASSEMBLY IS ROHS COMPLIANT.

FERRULE MATERIAL DESCR	QUALITY SYMBOLS
EC NO: MNA2009-0510	▽=0
DRW:NETHRODAHL 2010/01/04	▽=0
CHKD:JMACNEIL 2010/01/05	
APPR:JMACNEIL 2010/01/05	
REV	DESCRIPTION
D	

GENERAL TOLERANCES (UNLESS SPECIFIED)	
	mm INCH
4 PLACES ±	--- ± ---
3 PLACES ±	--- ± ---
2 PLACES ±	--- ± ---
1 PLACE ±	--- ± ---
ANGULAR ± --- °	
DRAFT WHERE APPLICABLE MUST REMAIN WITHIN DIMENSIONS	

DIMENSION STYLE	
IN/MM	
DRAWN BY	DATE
DAY	1997/08/21
CHECKED BY	DATE
RWD	1997/08/21
APPROVED BY	DATE
RWD	1997/08/21
MATERIAL NO.	
SEE CHART	
SIZE	
C	

SCALE	DESIGN UNITS	THIRD ANGLE PROJECTION
---	INCH	
TITLE		
PIGGYBACK FIQD, .250 X .032 TAB, AVIKRIMP		
MOLEX INCORPORATED		
MATERIAL NO.	DOCUMENT NO.	SHEET NO.
SD-19602-001		1 OF 1
THIS DRAWING CONTAINS INFORMATION THAT IS PROPRIETARY TO MOLEX INCORPORATED AND SHOULD NOT BE USED WITHOUT WRITTEN PERMISSION		