



Chipsmall Limited consists of a professional team with an average of over 10 year of expertise in the distribution of electronic components. Based in Hongkong, we have already established firm and mutual-benefit business relationships with customers from,Europe,America and south Asia,supplying obsolete and hard-to-find components to meet their specific needs.

With the principle of “Quality Parts,Customers Priority,Honest Operation,and Considerate Service”,our business mainly focus on the distribution of electronic components. Line cards we deal with include Microchip,ALPS,ROHM,Xilinx,Pulse,ON,Everlight and Freescale. Main products comprise IC,Modules,Potentiometer,IC Socket,Relay,Connector.Our parts cover such applications as commercial,industrial, and automotives areas.

We are looking forward to setting up business relationship with you and hope to provide you with the best service and solution. Let us make a better world for our industry!



Contact us

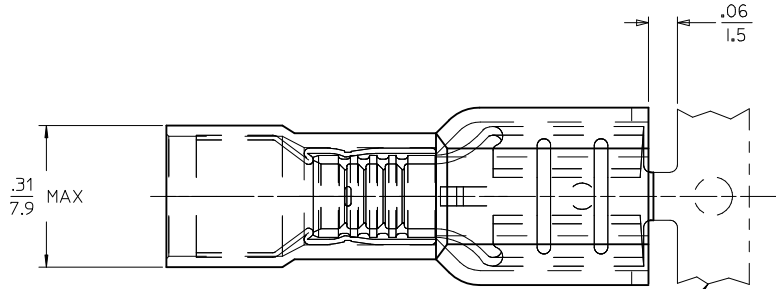
Tel: +86-755-8981 8866 Fax: +86-755-8427 6832

Email & Skype: info@chipsmall.com Web: www.chipsmall.com

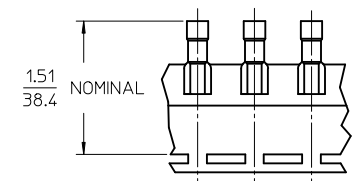
Address: A1208, Overseas Decoration Building, #122 Zhenhua RD., Futian, Shenzhen, China



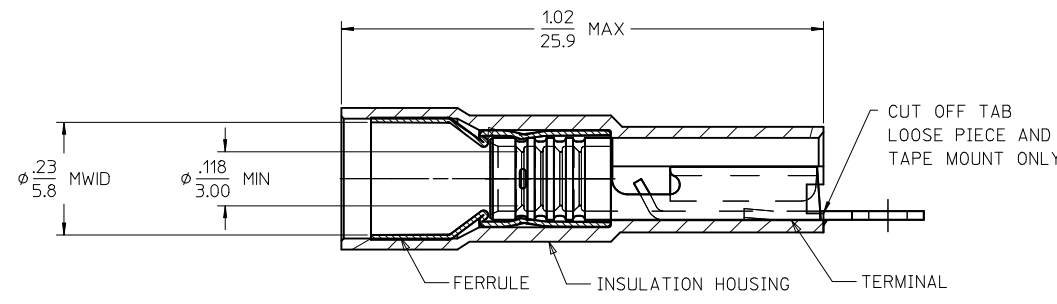
MATERIAL NO.	ENGINEERING P/N	CARRIER STYLE
196060004	C-5293Z	METAL STRIP
196060005	C-5293	LOOSE PIECE
196060006	C-5293T	TAPE MOUNT



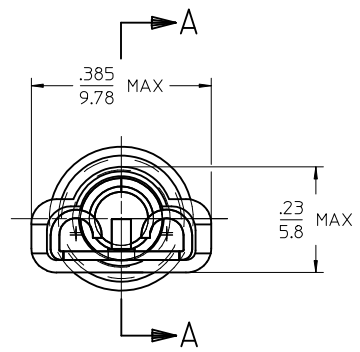
METAL CARRIER STRIP,
METAL STRIP PARTS ONLY



PARTS ON TAPE
SCALE: NONE



SECTION A-A



NOTES:

- MATERIALS:
HOUSING: 94V-2 NYLON, YELLOW
TERMINAL: BRASS, .018/0.46 THICK REF., MATTE TIN PLATED
FERRULE: COPPER ALLOY, MATTE TIN PLATED
- ACCEPTS TAB SIZE .250 x .032 (6.35 x 0.81).
- MWID = MAXIMUM WIRE INSULATION DIAMETER.
- PARTS ARE ROHS COMPLIANT.

REVISIONS RLS: FERRULE MATL EC NO: MNA2010-0610 DRW: ETHRODAHL 2010/03/31 CHKD: JMACNEIL 2010/03/31 APPR: JMACNEIL 2010/04/12	QUALITY SYMBOLS ▽=0 ▽=0	GENERAL TOLERANCES (UNLESS SPECIFIED)		DIMENSION STYLE IN/MM	SCALE 5:1	DESIGN UNITS INCH	THIRD ANGLE PROJECTION
		4 PLACES ± --- ± --- 3 PLACES ± --- ± --- 2 PLACES ± --- ± --- 1 PLACE ± --- ± --- ANGULAR ±1/2°	DRAWN BY ETHRODAHL DATE 2010/03/31	CHECKED BY JMACNEIL DATE 2010/03/31	APPROVED BY JMACNEIL DATE 2010/04/09	TITLE FIQD FEMALE AVIKRIMP LOW PROFILE .250X.032 TAB, 12-10 AWG	MOLEX INCORPORATED
DESCRIPTION A	DRAFT WHERE APPLICABLE MUST REMAIN WITHIN DIMENSIONS	SEE CHART		THIS DRAWING CONTAINS INFORMATION THAT IS PROPRIETARY TO MOLEX INCORPORATED AND SHOULD NOT BE USED WITHOUT WRITTEN PERMISSION			