

Chipsmall Limited consists of a professional team with an average of over 10 year of expertise in the distribution of electronic components. Based in Hongkong, we have already established firm and mutual-benefit business relationships with customers from,Europe,America and south Asia,supplying obsolete and hard-to-find components to meet their specific needs.

With the principle of “Quality Parts,Customers Priority,Honest Operation,and Considerate Service”,our business mainly focus on the distribution of electronic components. Line cards we deal with include Microchip,ALPS,ROHM,Xilinx,Pulse,ON,Everlight and Freescale. Main products comprise IC,Modules,Potentiometer,IC Socket,Relay,Connector.Our parts cover such applications as commercial,industrial, and automotives areas.

We are looking forward to setting up business relationship with you and hope to provide you with the best service and solution. Let us make a better world for our industry!



Contact us

Tel: +86-755-8981 8866 Fax: +86-755-8427 6832

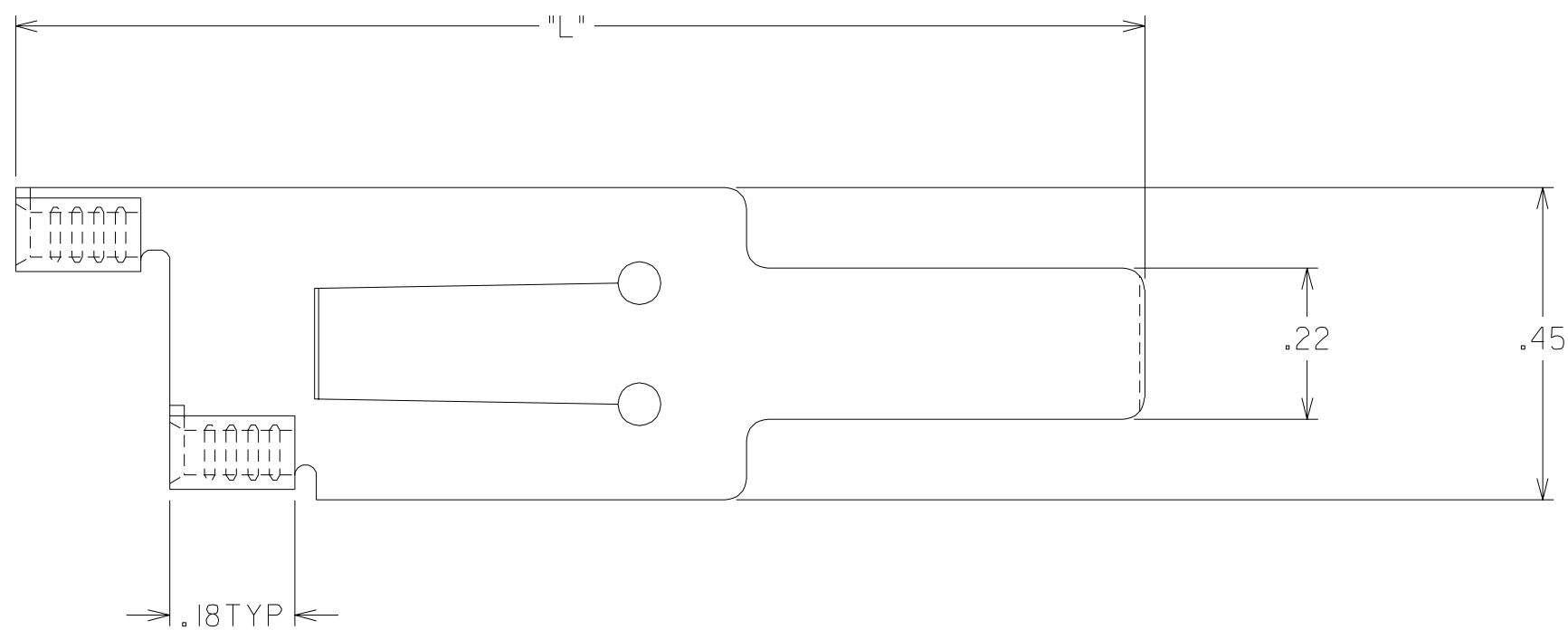
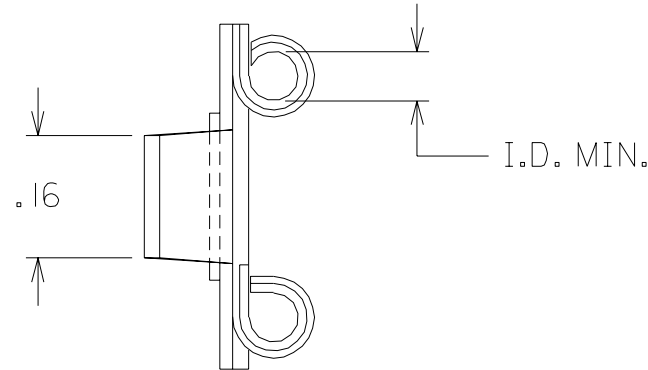
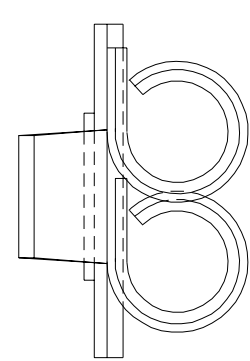
Email & Skype: info@chipsmall.com Web: www.chipsmall.com

Address: A1208, Overseas Decoration Building, #122 Zhenhua RD., Futian, Shenzhen, China

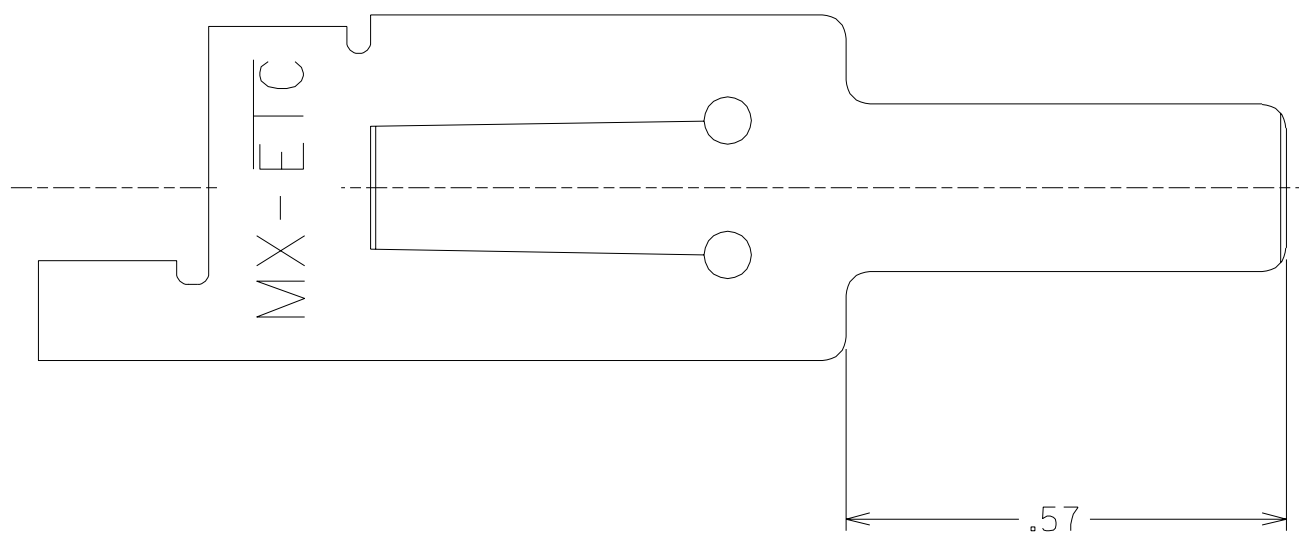
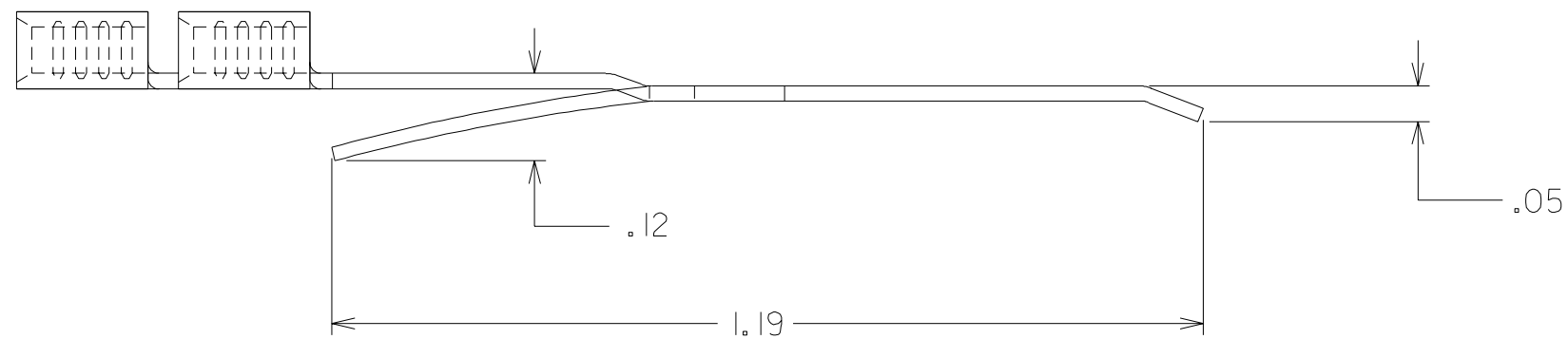
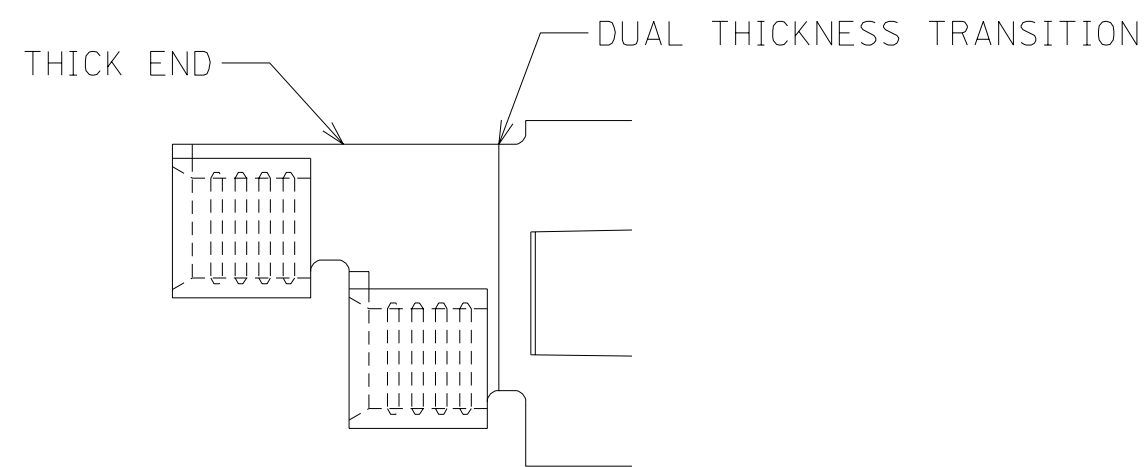
CUSTOMER PART NO.	PART NO.	"L" MAX. ±.015	I.D. MIN.	MATERIAL THICKNESS	WIRE SIZE
RT-2016	19702-4001	1.63	.060	.021	AWG 20-16
RT-1410	19702-4101	1.66	.128	DUAL THICKNESS .021/.026	AWG 14-10

NOTES:
 1. MATERIAL: PHOSBRONZE.
 2. PLATING: SILVER.
 3. BARREL BRAZED CLOSED.
 4. MATERIAL THICKNESS: SEE CHART.

AWG 14-10 VIEW



DUAL THICKNESS DETAIL



LTR.	REVISIONS
B-2	LOAD INTO WM ETC2003-0200 03-02-10 BRE
B-1	19702-4001 WAS -4000; 19702-4101 WAS -4100 ECN70887 7/1 DAY
B	ADD COLUMN TO CHART ECN60601 11/96 JH
A	RELEASE CUSTOMER DRAWING ECN60593 10/25 JH

CUSTOMER DRAWING

DIMENSIONS SHOWN (METRIC) INCH UNLESS OTHERWISE SPECIFIED TOLERANCES: ANGULAR ± 1/2°		REVISE ONLY ON CAD SYSTEM													
<table border="1"> <thead> <tr> <th></th> <th>INCH</th> <th>METRIC</th> </tr> </thead> <tbody> <tr> <td>3 PLACE</td> <td>± .005</td> <td>± ---</td> </tr> <tr> <td>2 PLACE</td> <td>± .01</td> <td>± 0.13</td> </tr> <tr> <td>1 PLACE</td> <td>± ---</td> <td>± 0.25</td> </tr> </tbody> </table>			INCH	METRIC	3 PLACE	± .005	± ---	2 PLACE	± .01	± 0.13	1 PLACE	± ---	± 0.25	TITLE RAILROAD RELAY TERMINAL CUSTOMER DRAWING	
	INCH	METRIC													
3 PLACE	± .005	± ---													
2 PLACE	± .01	± 0.13													
1 PLACE	± ---	± 0.25													
DRAFT WHERE APPLICABLE MUST REMAIN WITHIN DIMENSIONS		SHEET NO. DATE 96/10/23													
DRWG. BY: JH CHK'D. BY: RWD		PART NO. DRWG. NO. 19702400													
APP'D. BY: RWD SCALE: NO:NE		SEE CHART 19702400													
FILE NAME: 19702400.CST		THIS DRAWING CONTAINS INFORMATION THAT IS PROPRIETARY TO MOLEX-ETC INC. AND SHOULD NOT BE USED WITHOUT WRITTEN PERMISSION.													