



Chipsmall Limited consists of a professional team with an average of over 10 year of expertise in the distribution of electronic components. Based in Hongkong, we have already established firm and mutual-benefit business relationships with customers from,Europe,America and south Asia,supplying obsolete and hard-to-find components to meet their specific needs.

With the principle of "Quality Parts,Customers Priority,Honest Operation,and Considerate Service",our business mainly focus on the distribution of electronic components. Line cards we deal with include Microchip,ALPS,ROHM,Xilinx,Pulse,ON,Everlight and Freescale. Main products comprise IC,Modules,Potentiometer,IC Socket,Relay,Connector.Our parts cover such applications as commercial,industrial, and automotives areas.

We are looking forward to setting up business relationship with you and hope to provide you with the best service and solution. Let us make a better world for our industry!



Contact us

Tel: +86-755-8981 8866 Fax: +86-755-8427 6832

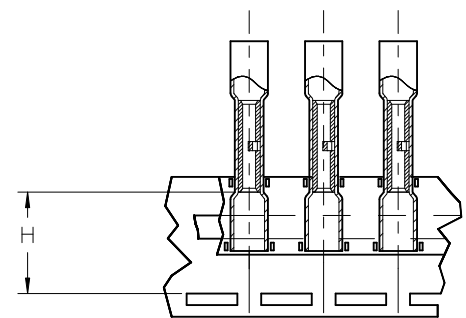
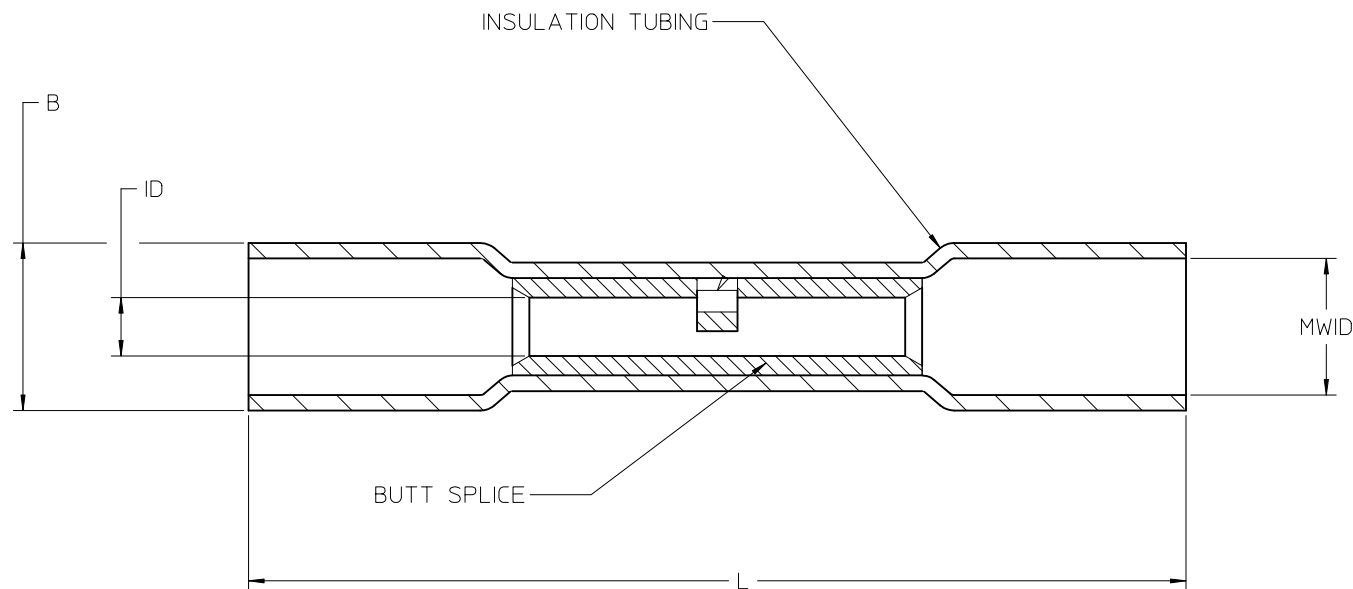
Email & Skype: info@chipsmall.com Web: www.chipsmall.com

Address: A1208, Overseas Decoration Building, #122 Zhenhua RD., Futian, Shenzhen, China



LOOSE PIECE		TAPE MOUNTED		DIMENSIONS					APPEARANCE	
MATERIAL NO.	ENGINEERING P/N	MATERIAL NO.	ENGINEERING P/N	ID, MIN	MWID MIN	L MAX	B MAX	H ±.03/0.8	COLOR (REF)	TEXT
197170001	HSAA-22-18	197170003	HSAA-22-18T	.059/1.50	.163/4.14	1.55/39.4	.280/7.11	.77/19.5	RED	22-18 AWG
197170002	HSBB-16-14	197170004	HSBB-16-14T	.091/2.31	.200/5.08	1.55/39.4	.315/8.00	.73/18.5	BLUE	16-14 AWG

(A) (A)



PARTS ON TAPE

- NOTES:
- MATERIALS:
 SPLICE: SEAMLESS TIN-PLATED COPPER
 INSULATION: HEAT-SHRINKABLE POLY TUBING WITH HOT MELT INNER LINER
 - MWID = MAXIMUM WIRE INSULATION DIAMETER
 - PARTS ARE ROHS COMPLIANT.

IRLS, REV MWID, OD EC NO: WNA2011-0598 DRW: ETHRODAHL 2011/06/14 CHKD: JMACNEIL 2011/06/27 APPR: JMACNEIL 2011/07/05 A	QUALITY SYMBOLS	GENERAL TOLERANCES (UNLESS SPECIFIED)	DIMENSION STYLE	SCALE	DESIGN UNITS	THIRD ANGLE PROJECTION
	$\nabla=0$ $\nabla=0$	mm INCH 4 PLACES ± --- ± --- 3 PLACES ± --- ± .005 2 PLACES ± 0.13 ± .010 1 PLACE ± 0.25 ± .020 ANGULAR ± 1/2°	IN/MM DRAWN BY DATE ETHRODAHL 2011/05/31 CHECKED BY DATE JMACNEIL 2011/05/31 APPROVED BY DATE JMACNEIL 2011/05/31	---	INCH	TITLE BUTT SPLICES POLY HEAT SHRINK 22-14 AWG
	DRAFT WHERE APPLICABLE MUST REMAIN WITHIN DIMENSIONS	MATERIAL NO. SEE CHART	MOLEX INCORPORATED DOCUMENT NO. SD-19717-001	SHEET NO. 1 OF 1		
	THIS DRAWING CONTAINS INFORMATION THAT IS PROPRIETARY TO MOLEX INCORPORATED AND SHOULD NOT BE USED WITHOUT WRITTEN PERMISSION					