



Chipsmall Limited consists of a professional team with an average of over 10 year of expertise in the distribution of electronic components. Based in Hongkong, we have already established firm and mutual-benefit business relationships with customers from,Europe,America and south Asia,supplying obsolete and hard-to-find components to meet their specific needs.

With the principle of “Quality Parts,Customers Priority,Honest Operation,and Considerate Service”,our business mainly focus on the distribution of electronic components. Line cards we deal with include Microchip,ALPS,ROHM,Xilinx,Pulse,ON,Everlight and Freescale. Main products comprise IC,Modules,Potentiometer,IC Socket,Relay,Connector.Our parts cover such applications as commercial,industrial, and automotives areas.

We are looking forward to setting up business relationship with you and hope to provide you with the best service and solution. Let us make a better world for our industry!



Contact us

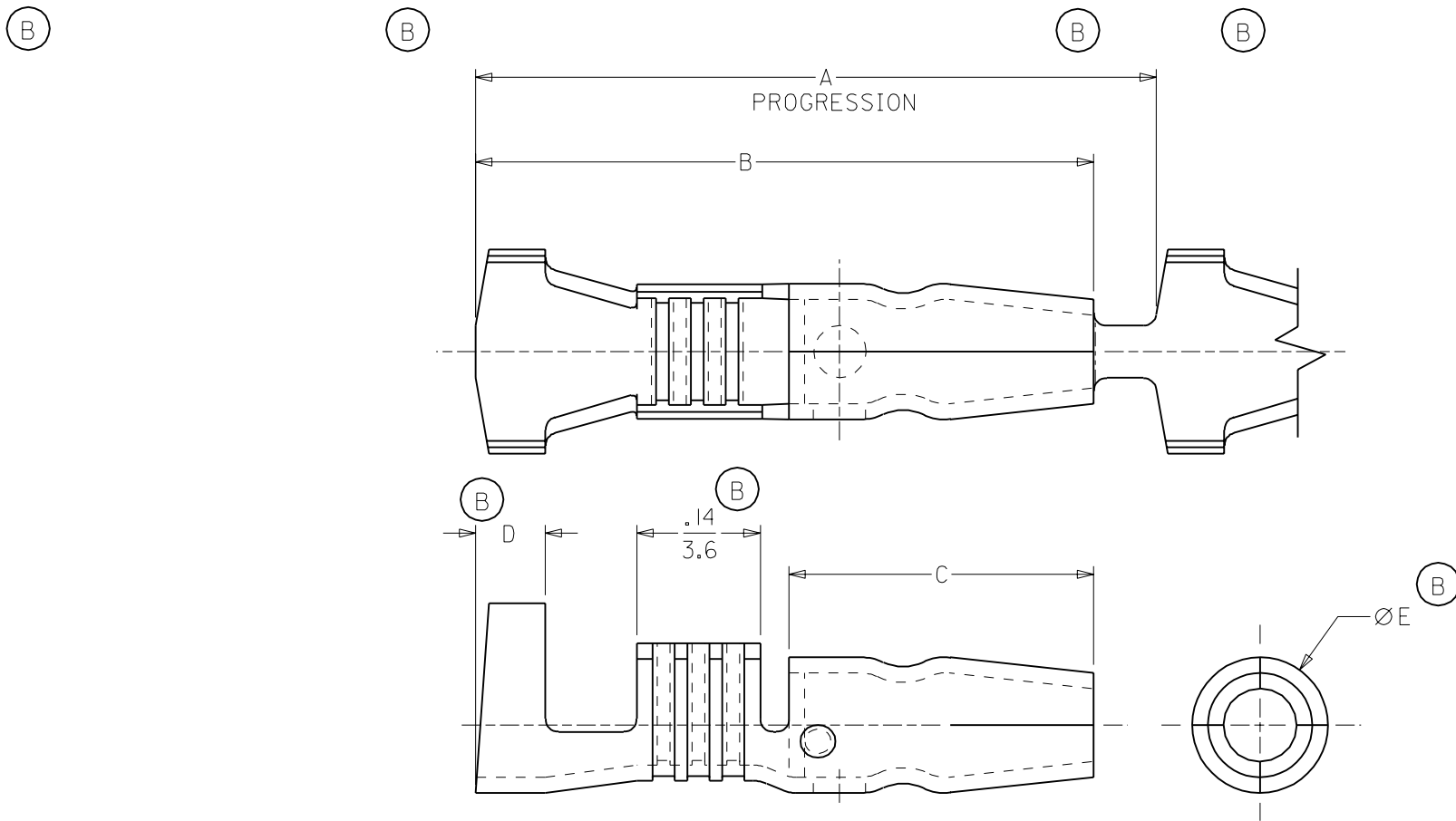
Tel: +86-755-8981 8866 Fax: +86-755-8427 6832

Email & Skype: info@chipsmall.com Web: www.chipsmall.com

Address: A1208, Overseas Decoration Building, #122 Zhenhua RD., Futian, Shenzhen, China



MATERIAL NUMBER	ENG. NUMBER	DESCRIPTION	FITS RECEPT. DIAMETER.	A	B	C	D	E
197244102	19724-4102	PLATED	.156/(3.96)	.76/(19.3)	.71/(18.0)	.35/(8.9)	.08/(2.0)	.156/(3.96)
197244402	19724-4402	PLATED	.180/(4.57)	.83/(21.2)	.74/(18.8)	.44/(11.2)	.06/(1.5)	.180/(4.57)
197244100	19724-4100	UNPLATED	.156/(3.96)	.76/(19.3)	.71/(18.0)	.35/(8.9)	.08/(2.0)	.156/(3.96)
197244400	19724-4400	UNPLATED	.180/(4.57)	.83/(21.2)	.74/(18.8)	.44/(11.2)	.06/(1.5)	.180/(4.57)



SALES DRAWING

NOTE(S):
 1. MATERIAL: BRASS
 2. MATERIAL THICKNESS: .016/(0.41)
 3. PLATING: ELECTRO-TIN

ADDED UNPLT NO'S EC NO. ETC2003-0162 DRWN: DLM 02/12/20 CHK: SB 02/12/20 APPR: RWD 02/12/20	QUALITY SYMBOLS MAJOR $\blacktriangledown = \emptyset$ CRITICAL $\nabla = \emptyset$	GENERAL TOLERANCES: (UNLESS SPECIFIED)		SCALE 5:1	DESIGN UNITS <input type="checkbox"/> mm <input checked="" type="checkbox"/> INCH	DIMENSIONS: <input type="checkbox"/> mm <input checked="" type="checkbox"/> INCH <input type="checkbox"/> mm ONLY	SHT REV
		4 PLACES $\pm 0.----$ $\pm .----$ 3 PLACES $\pm 0.---$ $\pm .005$ 2 PLACES ± 0.13 $\pm .010$ 1 PLACE ± 0.25 $\pm .---$	DRAWN BY & DATE DLM 02/12/20	TITLE: VIBRAKRIMP SNAP PLUG 18-14 AWG, OPEN BARREL CHAIN STAMPED		CHECKED BY & DATE SB 02/12/20	APPROVED BY & DATE RWD 02/12/20
REV	DESCRIPTION	ANGULAR: $\pm 1/2^\circ$		CAD FILENAME SD19724002.DGN	MATERIAL NO. (SEE CHART)	DRAWING NO. SD-19724-002	SIZE A
DRAFT WHERE APPLICABLE MUST REMAIN WITHIN DIMENSIONS				THIS DRAWING CONTAINS INFORMATION THAT IS PROPRIETARY TO MOLEX INCORPORATED AND SHOULD NOT BE USED WITHOUT WRITTEN PERMISSION.			