



Chipsmall Limited consists of a professional team with an average of over 10 year of expertise in the distribution of electronic components. Based in Hongkong, we have already established firm and mutual-benefit business relationships with customers from,Europe,America and south Asia,supplying obsolete and hard-to-find components to meet their specific needs.

With the principle of “Quality Parts,Customers Priority,Honest Operation,and Considerate Service”,our business mainly focus on the distribution of electronic components. Line cards we deal with include Microchip,ALPS,ROHM,Xilinx,Pulse,ON,Everlight and Freescale. Main products comprise IC,Modules,Potentiometer,IC Socket,Relay,Connector.Our parts cover such applications as commercial,industrial, and automotives areas.

We are looking forward to setting up business relationship with you and hope to provide you with the best service and solution. Let us make a better world for our industry!



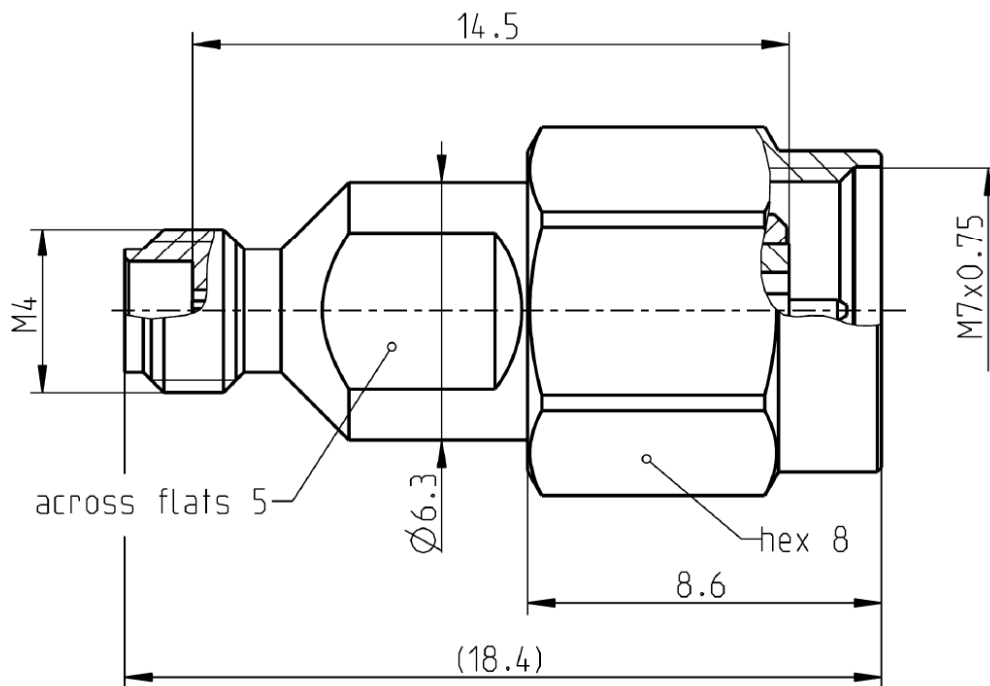
Contact us

Tel: +86-755-8981 8866 Fax: +86-755-8427 6832

Email & Skype: info@chipsmall.com Web: www.chipsmall.com

Address: A1208, Overseas Decoration Building, #122 Zhenhua RD., Futian, Shenzhen, China





All dimensions are in mm; tolerances according to ISO 2768 m-H

Interface

RPC-1.00 side according to	IEC 61169-31
RPC-1.85 side	
According to	IEC 61169-32
Mechanically compatible with	RPC-2.40

Documents

N/A

Material and plating

Connector parts

Center conductor
Outer conductor
Coupling Nut
Dielectric

Material

CuBe
CuBe or equiv.
Stainless steel
PEEK

Plating

Gold, min. 1.27 µm, over nickel
Gold, min. 1.27 µm, over nickel
Passivated

Dieses Dokument ist urheberrechtlich geschützt • This document is protected by copyright • Rosenberger Hochfrequenztechnik GmbH & Co. KG

RF_35/09;14/6.2

Adaptor
RPC-1.00 Jack – RPC-1.85 Plug

01K108-S00D3

Electrical data

Frequency DC to 70 GHz
Return loss ≥ 19 dB, DC to 20 GHz
≥ 17 dB, 20 GHz to 50 GHz
≥ 14 dB, 50 GHz to 70 GHz

Mechanical data

	RPC-1.00	RPC-1.85
Mating cycles	≥ 500	≥ 500
Maximum torque	0.70 Nm	1.65 Nm
Recommended torque	0.35 Nm	0.90 Nm
Gauge	0.00 mm to 0.03 mm	0.00 mm to 0.05 mm

Environmental data

Temperature range - 40 °C to +85 °C
RoHS compliant

Packing

Standard 1 pce in box
Weight 4.0 g/pce

While the information has been carefully compiled to the best of our knowledge, nothing is intended as representation or warranty on our part and no statement herein shall be construed as recommendation to infringe existing patents. In the effort to improve our products, we reserve the right to make changes judged to be necessary.

Draft	Date	Approved	Date	Rev.	Engineering change number	Name	Date
Herbert Babinger	25.01.05	Markus Müller	24.08.16	e00	16-1394	Marion Striegler	24.08.16
Rosenberger Hochfrequenztechnik GmbH & Co. KG P.O.Box 1260 D-84526 Tittmoning Germany www.rosenberger.de					Tel. : +49 8684 18-0 Email : info@rosenberger.de		Page 2 / 2