



Chipsmall Limited consists of a professional team with an average of over 10 year of expertise in the distribution of electronic components. Based in Hongkong, we have already established firm and mutual-benefit business relationships with customers from,Europe,America and south Asia,supplying obsolete and hard-to-find components to meet their specific needs.

With the principle of “Quality Parts,Customers Priority,Honest Operation,and Considerate Service”,our business mainly focus on the distribution of electronic components. Line cards we deal with include Microchip,ALPS,ROHM,Xilinx,Pulse,ON,Everlight and Freescale. Main products comprise IC,Modules,Potentiometer,IC Socket,Relay,Connector.Our parts cover such applications as commercial,industrial, and automotives areas.

We are looking forward to setting up business relationship with you and hope to provide you with the best service and solution. Let us make a better world for our industry!



Contact us

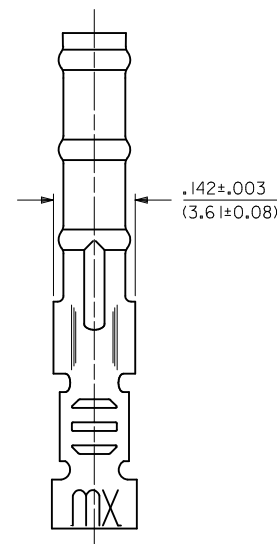
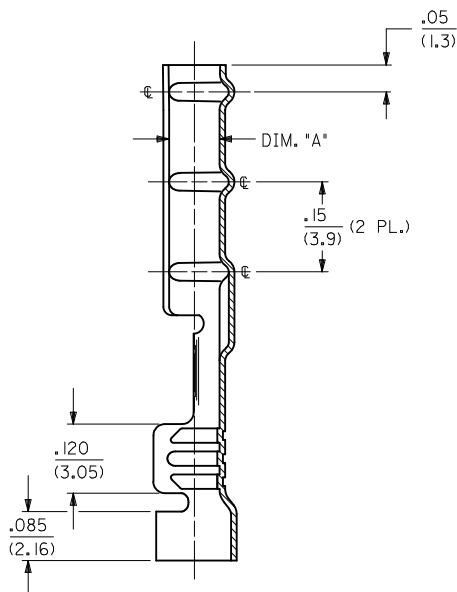
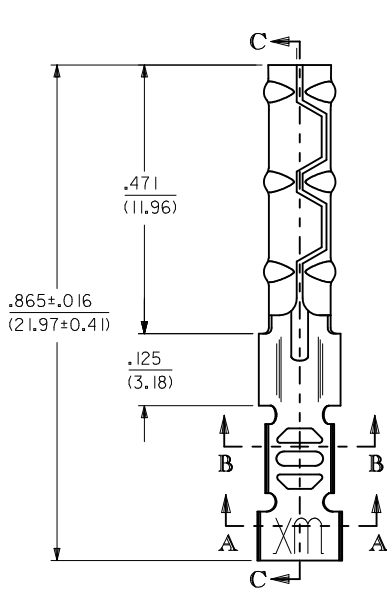
Tel: +86-755-8981 8866 Fax: +86-755-8427 6832

Email & Skype: info@chipsmall.com Web: www.chipsmall.com

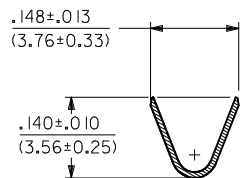
Address: A1208, Overseas Decoration Building, #122 Zhenhua RD., Futian, Shenzhen, China



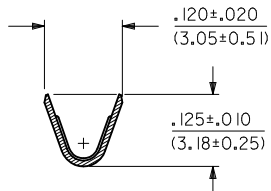
1881-2*** TERMINAL SHOWN (16-24 AWG)
SEE SHEET 2 FOR 1881-3*** TERMINAL



SECTION C-C



SECTION A-A



SECTION B-B

UPDATE	2011/04/11
REV. LEVELS	2011/04/11
EC NO: UCP2011-3131	2011/04/11
DRWN: AELHAG	2011/04/11
CHKD: JBELL	2011/04/11
APPR: FSMITH	2011/05/23
REV	
L2	

QUALITY SYMBOLS	GENERAL TOLERANCES (UNLESS SPECIFIED)
▽=0	
▽=0	
	mm INCH
	4 PLACES ± --- ± ---
	3 PLACES ± --- ± .010
	2 PLACES ± 0.25 ± .014
	1 PLACE ± 0.36 ± ---
	ANGULAR ±1/2°
	DRAFT WHERE APPLICABLE MUST REMAIN WITHIN DIMENSIONS

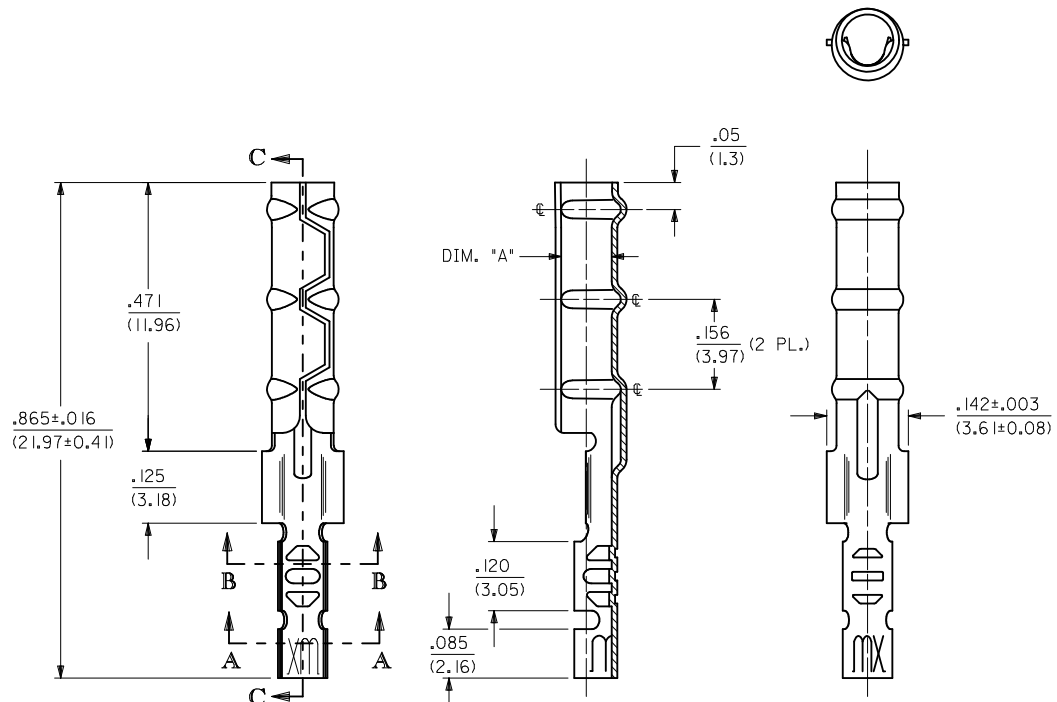
DIMENSION STYLE		SCALE	DESIGN UNITS	THIRD ANGLE PROJECTION
IN/MM		6:1	INCH	
DRAWN BY	DATE	TITLE		
AELHAG	2011/04/11	CRIMP TERMINAL SOCKET, CLASPCON		
CHECKED BY	DATE	MOLEX INCORPORATED		
JBELL	2011/04/11	SD-1881-*		
APPROVED BY	DATE	SHEET NO.		
		1 OF 2		

MATERIAL NO.	DOCUMENT NO.	SHEET NO.
SEE CHART	SD-1881-*	1 OF 2
THIS DRAWING CONTAINS INFORMATION THAT IS PROPRIETARY TO MOLEX INCORPORATED AND SHOULD NOT BE USED WITHOUT WRITTEN PERMISSION		

2	L2
1	L2
SHT/REV	

CHART				
PART NUMBER	ENG. NUMBER	DIMENSION "A" (DIA.)	INTERLEAF PAPER OPTION	
02-08-1102	1881-2L IA	.085/.090 (2.16/2.29)	YES	
02-08-1101	1881-2C IA			
02-08-5101	1881-2C1A-I			
02-08-1106	1881-2L IB	.083/.088 (2.11/2.24)		OBSOLETE
02-08-1105	1881-2C IB			OBSOLETE
02-08-1104	1881-3L IA	.085/.090 (2.16/2.29)		
02-08-1103	1881-3C IA			
02-08-1107	1881-4C IA	.085/.090 (2.16/2.29)		OBSOLETE
02-08-1108	1881-4L IA			OBSOLETE

1881-3*** TERMINAL SHOWN (24-30 AWG)
SEE SHEET 1 FOR 1881-2*** TERMINAL



LEGEND

1881-***-*

CRIMP STYLE
2 = 16-24 AWG
3 = 24-30 AWG
4 = 22 AWG

FORM
L = LOOSE
C = CHAIN

INTERLEAF PAPER OPTION
BLANK : INTERLEAF PAPER ON FIRST FEW WRAPS ONLY.
I : INTERLEAF PAPER THROUGH OUT REEL.

BARREL I.D.
A = .085/.090 BARREL I.D.

FINISH
(*P* PRECEEDING FINISH NO. DESIGNATES PREPLATED MATERIAL)
1 = P901 - HOT TIN DIP: .000020/(0.0005) MIN.

- NOTES:
1. MATERIAL: CARTRIDGE BRASS
 2. FINISH: SEE LEGEND
 3. PRODUCT SPECIFICATION: N/A
 4. PACKAGING SPECIFICATION: N/A
 5. 1881 "CLASPCON" SERIES TERMINAL WITH THE STANDARD BARREL I.D. IS INTENDED FOR MATING TO .093/(2.36) DIA. P.C. BOARD PINS.
 6. INITIAL EXTRACTION FORCE TO BE 4.0±1.5 LBS. FROM AN .093/.092 / (2.36/2.34) DIA. PIN AND 2 LBS. MIN. AFTER THE 10TH EXTRACTION ON STANDARD BARREL I.D.

ADD P/N 02-08-5101 EC NO: UCP2011-3131 DRWN: AELHAG 2011/04/11 CHKD: JBELL 2011/04/11 APPR: FSMITH 2011/05/23	QUALITY SYMBOLS ▽=0 ▽=0	GENERAL TOLERANCES (UNLESS SPECIFIED)		DIMENSION STYLE IN/MM		SCALE 6:1	DESIGN UNITS INCH	THIRD ANGLE PROJECTION	
		mm	INCH	DRAWN BY AELHAG	DATE 2011/04/11	TITLE CRIMP TERMINAL SOCKET, CLASPCON			
		4 PLACES ± --- ± ---	3 PLACES ± --- ± .010	CHECKED BY JBELL	DATE 2011/04/11				
		2 PLACES ± 0.25 ± .014	1 PLACE ± 0.36 ± ---	APPROVED BY	DATE	MATERIAL NO. SEE CHART		DOCUMENT NO. SD-1881-*	SHEET NO. 2 OF 2
ANGULAR ±1/2°		DRAFT WHERE APPLICABLE MUST REMAIN WITHIN DIMENSIONS		THIS DRAWING CONTAINS INFORMATION THAT IS PROPRIETARY TO MOLEX INCORPORATED AND SHOULD NOT BE USED WITHOUT WRITTEN PERMISSION					