



Chipsmall Limited consists of a professional team with an average of over 10 year of expertise in the distribution of electronic components. Based in Hongkong, we have already established firm and mutual-benefit business relationships with customers from,Europe,America and south Asia,supplying obsolete and hard-to-find components to meet their specific needs.

With the principle of “Quality Parts,Customers Priority,Honest Operation,and Considerate Service”,our business mainly focus on the distribution of electronic components. Line cards we deal with include Microchip,ALPS,ROHM,Xilinx,Pulse,ON,Everlight and Freescale. Main products comprise IC,Modules,Potentiometer,IC Socket,Relay,Connector.Our parts cover such applications as commercial,industrial, and automotives areas.

We are looking forward to setting up business relationship with you and hope to provide you with the best service and solution. Let us make a better world for our industry!



## Contact us

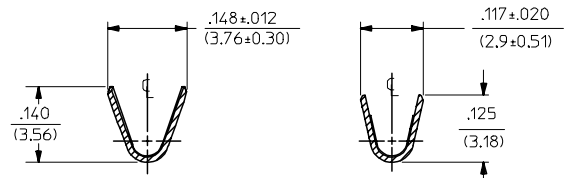
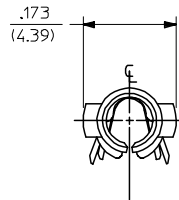
Tel: +86-755-8981 8866 Fax: +86-755-8427 6832

Email & Skype: info@chipsmall.com Web: www.chipsmall.com

Address: A1208, Overseas Decoration Building, #122 Zhenhua RD., Futian, Shenzhen, China

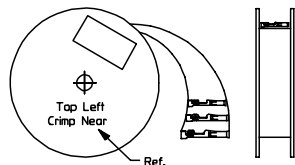


PART NO.	ENG. NO.
02-09-1119	1381-A(P901)L
02-09-1117	1381-A(P901)
02-09-1115	1381-A(P901)1
02-09-5133	1381-A(P591)L
02-09-5130	1381-A(P591)
02-09-5142	1381-A(P550)L
02-09-5143	1381-A(550)



SECT. "A-A"

SECT. "B-B"

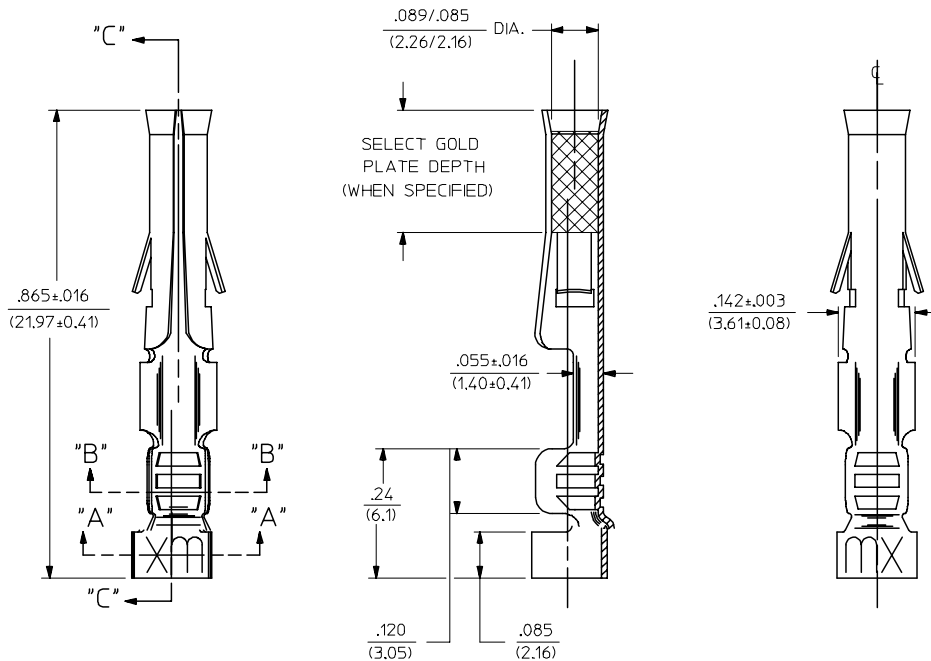


STANDARD CHAIN

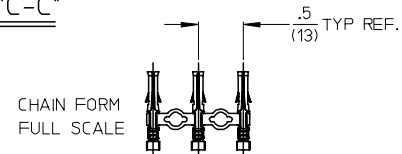
LEGEND

1381-A(\*\*\*\*)\*

- FORM BLANK = STD. CHAIN
- 1 = STD. CHAIN WITH INTERLEAF PAPER
- L = LOOSE
- FINISH CODE
- P = PREPLATE
- BLANK = POSTPLATE



SECT. "C-C"



CHAIN FORM FULL SCALE

NOTES:

1. MATERIAL: BRASS
2. FINISH:
  - 901 HOT TIN DIP .000020/(0.00051) MIN.
  - 591 SELECT GOLD PLATE .000050/(0.00127) MIN. IN CONTACT AREA, OVER .000050/(0.00127) MIN. NICKEL OVERALL WITH .000010/(0.00025) MAX. GOLD FLASH OVERALL.
  - 550 SELECT GOLD PLATE .000015/(0.00038) MIN. IN CONTACT AREA, OVER .000030/(0.00076) MIN. NICKEL OVERALL WITH .000010/(0.00025) MAX. GOLD FLASH OVERALL.
3. PRODUCT SPECIFICATION PS-43660-9999.
4. PACKAGING INFORMATION: NOT AVAILABLE
5. TERMINAL FOR USE WITH .093/(2.36) SERIES HOUSINGS AND WILL ACCEPT 18-22 AWG WIRE
6. INSERTION FORCE: 3.5 LBS. MAX. WHEN TERMINAL IS INSERTED INTO AN .093 SERIES HOUSING.
7. TERMINAL RETENTION: 20 LBS. MIN. FROM HOUSING.

REMOVE DIMPLE P/NS EC NO: UCP2006-2900 DRAWN/PRI/DOR 2006/06/29 CHKD: AEL/HAG 2006/07/05 APPR: FSM/TH 2006/07/05	QUALITY SYMBOLS =0 =0	GENERAL TOLERANCES (UNLESS SPECIFIED)		DIMENSION STYLE IN/MM		SCALE 6:1	DESIGN UNITS INCH	THIRD ANGLE PROJECTION	
		mm	INCH	DRAWN BY GEP	DATE 1987/11/06	TITLE CRIMP TERMINAL, FEMALE .093/(2.36) DIA. 18-22 AWG			
BW	DESCRIPTION	4 PLACES ± --- ± ---	3 PLACES ± --- ± .005	CHECKED BY RW	DATE 1987/11/06	MATERIAL NO. SD-1381-* DOCUMENT NO. SHEET NO. 1 OF 1			
		2 PLACES ± 0.13 ± .010	1 PLACE ± 0.25 ± ---	APPROVED BY RAS	DATE 1987/11/06				
		ANGULAR ±1/2°		MATERIAL NO. SD-1381-*		THIS DRAWING CONTAINS INFORMATION THAT IS PROPRIETARY TO MOLEX INCORPORATED AND SHOULD NOT BE USED WITHOUT WRITTEN PERMISSION			
		DRAFT WHERE APPLICABLE MUST REMAIN WITHIN DIMENSIONS		SIZE C					