



Chipsmall Limited consists of a professional team with an average of over 10 year of expertise in the distribution of electronic components. Based in Hongkong, we have already established firm and mutual-benefit business relationships with customers from,Europe,America and south Asia,supplying obsolete and hard-to-find components to meet their specific needs.

With the principle of "Quality Parts,Customers Priority,Honest Operation,and Considerate Service",our business mainly focus on the distribution of electronic components. Line cards we deal with include Microchip,ALPS,ROHM,Xilinx,Pulse,ON,Everlight and Freescale. Main products comprise IC,Modules,Potentiometer,IC Socket,Relay,Connector.Our parts cover such applications as commercial,industrial, and automotives areas.

We are looking forward to setting up business relationship with you and hope to provide you with the best service and solution. Let us make a better world for our industry!



## Contact us

Tel: +86-755-8981 8866 Fax: +86-755-8427 6832

Email & Skype: info@chipsmall.com Web: www.chipsmall.com

Address: A1208, Overseas Decoration Building, #122 Zhenhua RD., Futian, Shenzhen, China



PART NO.	ENG. NO.
02-09-2141	1434-(P901)
02-09-2143	1434-(P901)L
02-09-2149	1434-(P901)I
02-09-2186	1434-(P903)
02-09-2185	1434-(P903)L
02-09-6144	1434-(550)
02-09-6145	1434-(550)L

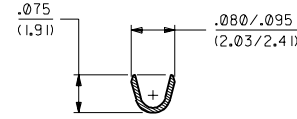
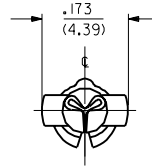
**LEGEND**

1434-(\*\*\*\*)\*

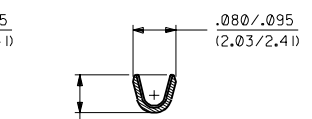
- P = PREPLATE
- BLANK = POSTPLATE
- FORM BLANK = CHAIN
- L = LOOSE
- I = WITH INTERLEAF PAPER
- FINISH CODE (SEE NOTE 2)

**NOTES:**

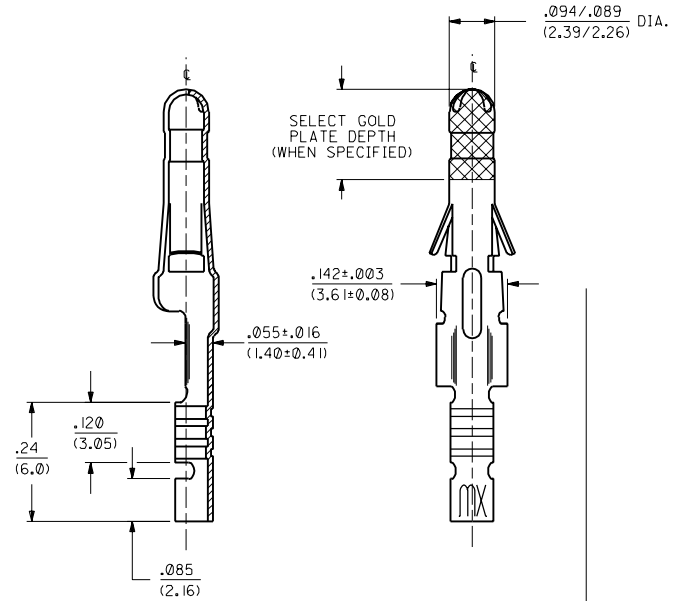
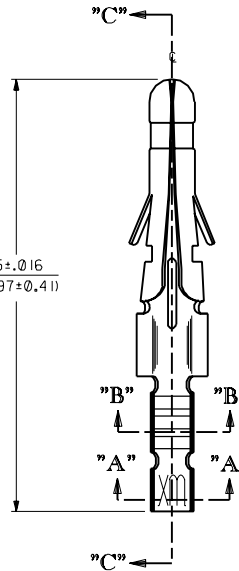
- MATERIAL: BRASS, ALLOY #26000
- FINISH:
  - 901 HOT TIN DIP .000020/(0.0005) MIN.
  - 903 HOT TIN-LEAD DIP .000050/(0.00127) MIN.
  - 550 SELECT GOLD PLATE .000015/(0.00038) MIN. IN CONTACT AREA, OVER .000030/(0.00076) MIN. NICKEL OVERALL WITH .000010/(0.00025) MAX. GOLD FLASH OVERALL
- THIS PART CONFORMS TO PRODUCT SPECIFICATION 02-09
- TERMINAL FOR USE WITH .093/(2.36) SERIES HOUSINGS AND WILL ACCEPT 24 THRU 30 AWG WIRE.
- INSERTION FORCE: 3.5 LBS. MAX. WHEN TERMINAL IS INSERTED INTO AN .093 SERIES HOUSING.
- CONTACT RETENTION: 20 LBS. MIN.



**SECT. "A-A"**



**SECT. "B-B"**



**SECT. "C-C"**

AC	ADD - (P901) ECN #2001-0905 4-5-01 BW
AB1	REVISED ECN# UCR1999-0518 STAMBAUGH 99-2-9
AB	FINAL RELEASE ECR 11/04/54 2/20/91 RW

DIMENSIONS SHOWN METRIC (INCH UNLESS OTHERWISE SPECIFIED TOLERANCES: ANGULAR ± 1/2°)		REVISE ONLY ON CAD SYSTEM									
<table border="1"> <thead> <tr> <th>INCH</th> <th>METRIC</th> </tr> </thead> <tbody> <tr> <td>3 PLACE ± .010</td> <td>---</td> </tr> <tr> <td>2 PLACE ± .014</td> <td>± 0.25</td> </tr> <tr> <td>1 PLACE ---</td> <td>± 0.36</td> </tr> </tbody> </table>		INCH	METRIC	3 PLACE ± .010	---	2 PLACE ± .014	± 0.25	1 PLACE ---	± 0.36	TITLE: CRIMP TERMINAL, MALE .093/(2.36) DIA. FOR 24 THRU 30 AWG WIRE SHEET NO. 1 DATE 2/20/91 MOLEX INCORPORATED LITTLE ROCK, AR 69532 U.S.A.	
INCH	METRIC										
3 PLACE ± .010	---										
2 PLACE ± .014	± 0.25										
1 PLACE ---	± 0.36										
DRAFT WHERE APPLICABLE MUST REMAIN WITHIN DIMENSIONS DRWG. BY: GWF APP'D: GWF CHK'D: RW FILE NAME: S1434X1.DWG SCALE: 6 : 1		PART NO.: SD-1434- DRWG. NO.: DIV: CP SIZE: C									