



Chipsmall Limited consists of a professional team with an average of over 10 year of expertise in the distribution of electronic components. Based in Hongkong, we have already established firm and mutual-benefit business relationships with customers from,Europe,America and south Asia,supplying obsolete and hard-to-find components to meet their specific needs.

With the principle of “Quality Parts,Customers Priority,Honest Operation,and Considerate Service”,our business mainly focus on the distribution of electronic components. Line cards we deal with include Microchip,ALPS,ROHM,Xilinx,Pulse,ON,Everlight and Freescale. Main products comprise IC,Modules,Potentiometer,IC Socket,Relay,Connector.Our parts cover such applications as commercial,industrial, and automotives areas.

We are looking forward to setting up business relationship with you and hope to provide you with the best service and solution. Let us make a better world for our industry!



## Contact us

Tel: +86-755-8981 8866 Fax: +86-755-8427 6832

Email & Skype: info@chipsmall.com Web: www.chipsmall.com

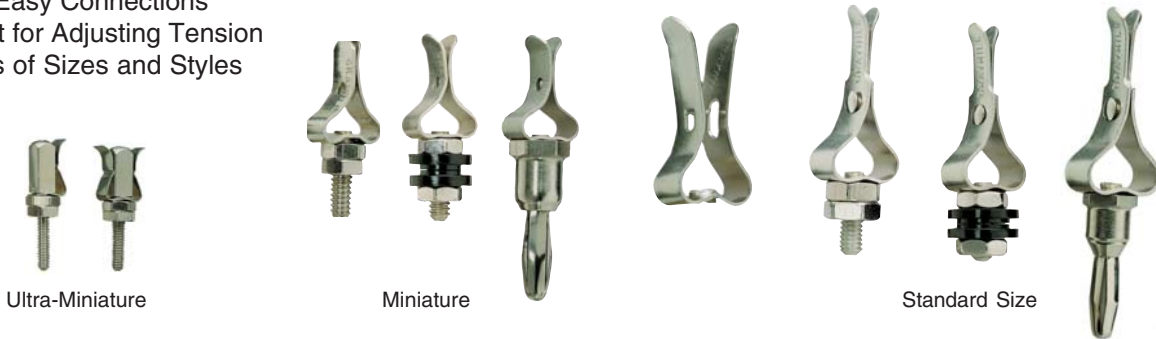
Address: A1208, Overseas Decoration Building, #122 Zhenhua RD., Futian, Shenzhen, China



## SERIES 02

### FEATURES

- Rapid, Easy Connections
- Hex Nut for Adjusting Tension
- Choices of Sizes and Styles

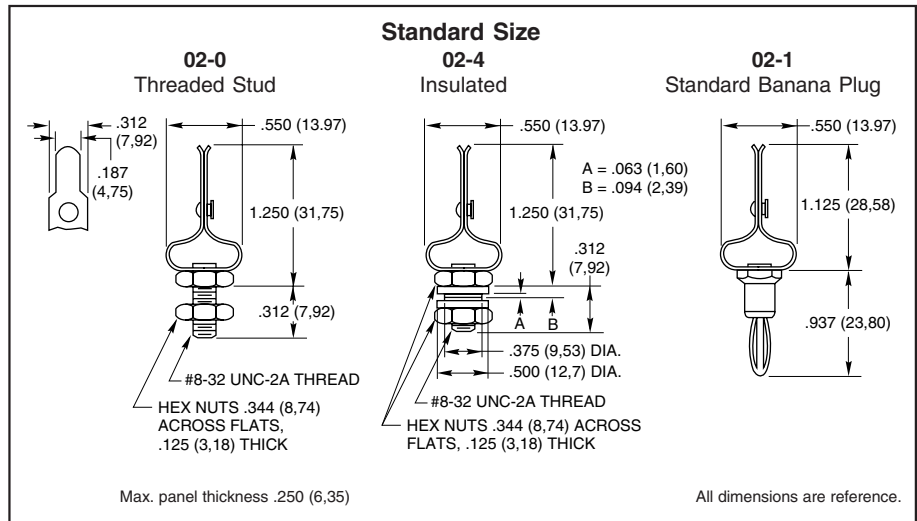
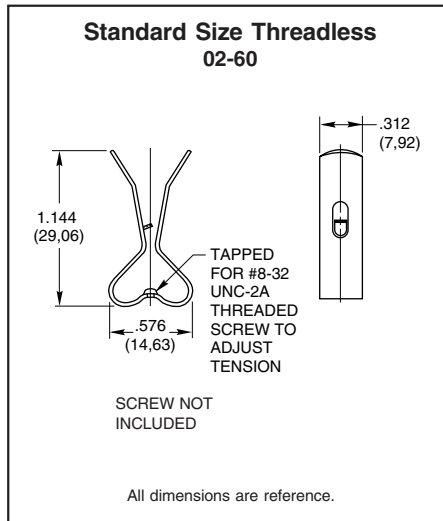
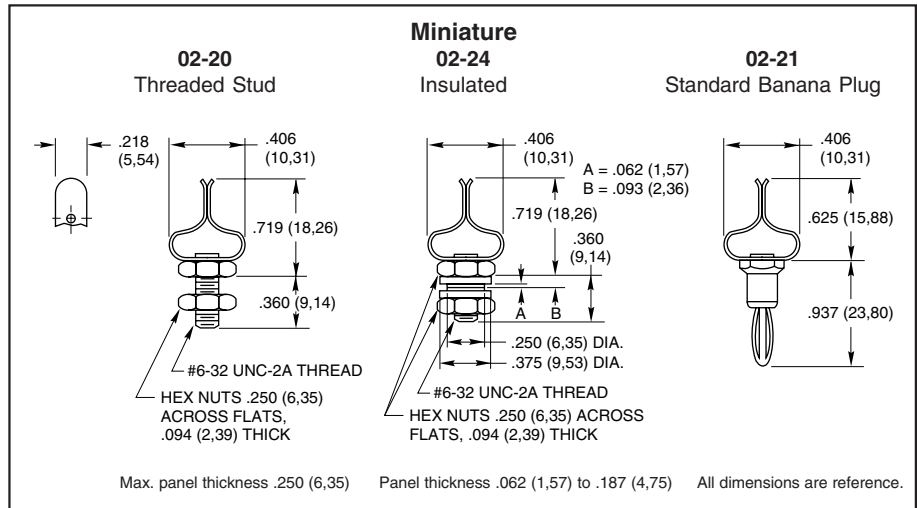
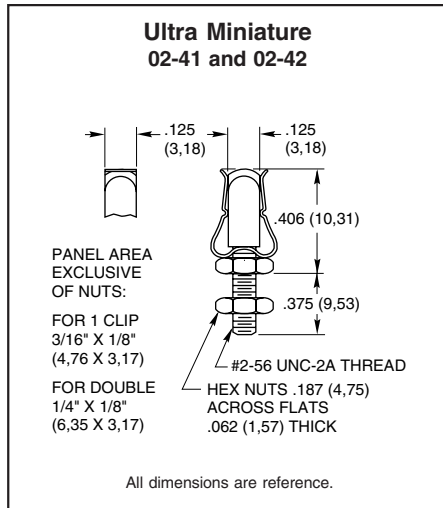


Ultra-Miniature

Miniature

Standard Size

### DIMENSIONS In Inches (and millimeters)



### STANDARD OPTIONS

Standard Size Threaded Stud Clip can be made of Stainless Steel or Inconel X material.  
**Not available through Distributors.**

### SPECIFICATIONS

#### Materials and Finishes

**Studs:** Nickel-plated steel except for 02-41 and 02-42 which are nickel-plated brass  
**Rivets and Nuts:** Nickel-plated brass  
**Spring Clips:** Nickel-plated brass except for 02-41 and 02-42 which are nickel-plated beryllium copper  
**Insulators:** Thermoset plastic

### ORDERING INFORMATION

Order using part numbers shown in dimensions.

**Available from your local Grayhill Distributor.**  
 For prices and discounts, contact a local Sales Office, an authorized local Distributor or Grayhill.