



Chipsmall Limited consists of a professional team with an average of over 10 year of expertise in the distribution of electronic components. Based in Hongkong, we have already established firm and mutual-benefit business relationships with customers from,Europe,America and south Asia,supplying obsolete and hard-to-find components to meet their specific needs.

With the principle of “Quality Parts,Customers Priority,Honest Operation,and Considerate Service”,our business mainly focus on the distribution of electronic components. Line cards we deal with include Microchip,ALPS,ROHM,Xilinx,Pulse,ON,Everlight and Freescale. Main products comprise IC,Modules,Potentiometer,IC Socket,Relay,Connector.Our parts cover such applications as commercial,industrial, and automotives areas.

We are looking forward to setting up business relationship with you and hope to provide you with the best service and solution. Let us make a better world for our industry!



Contact us

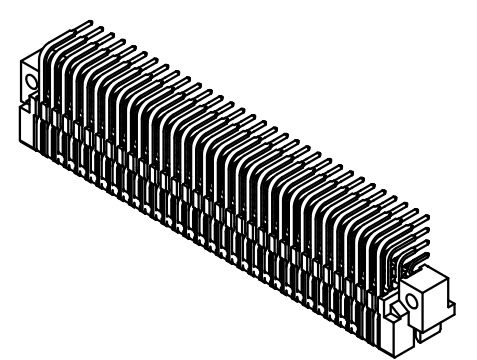
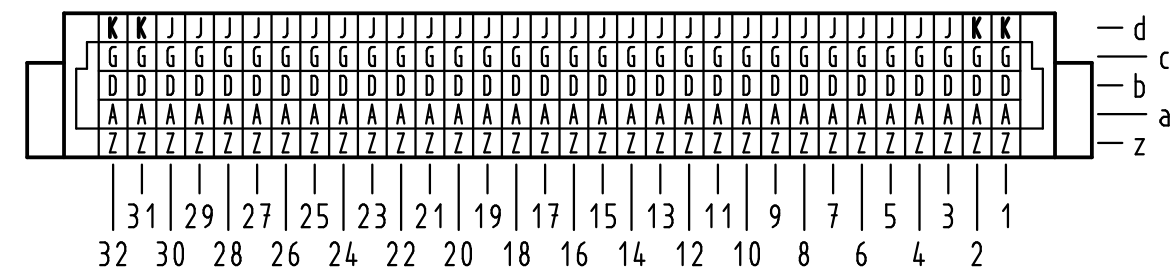
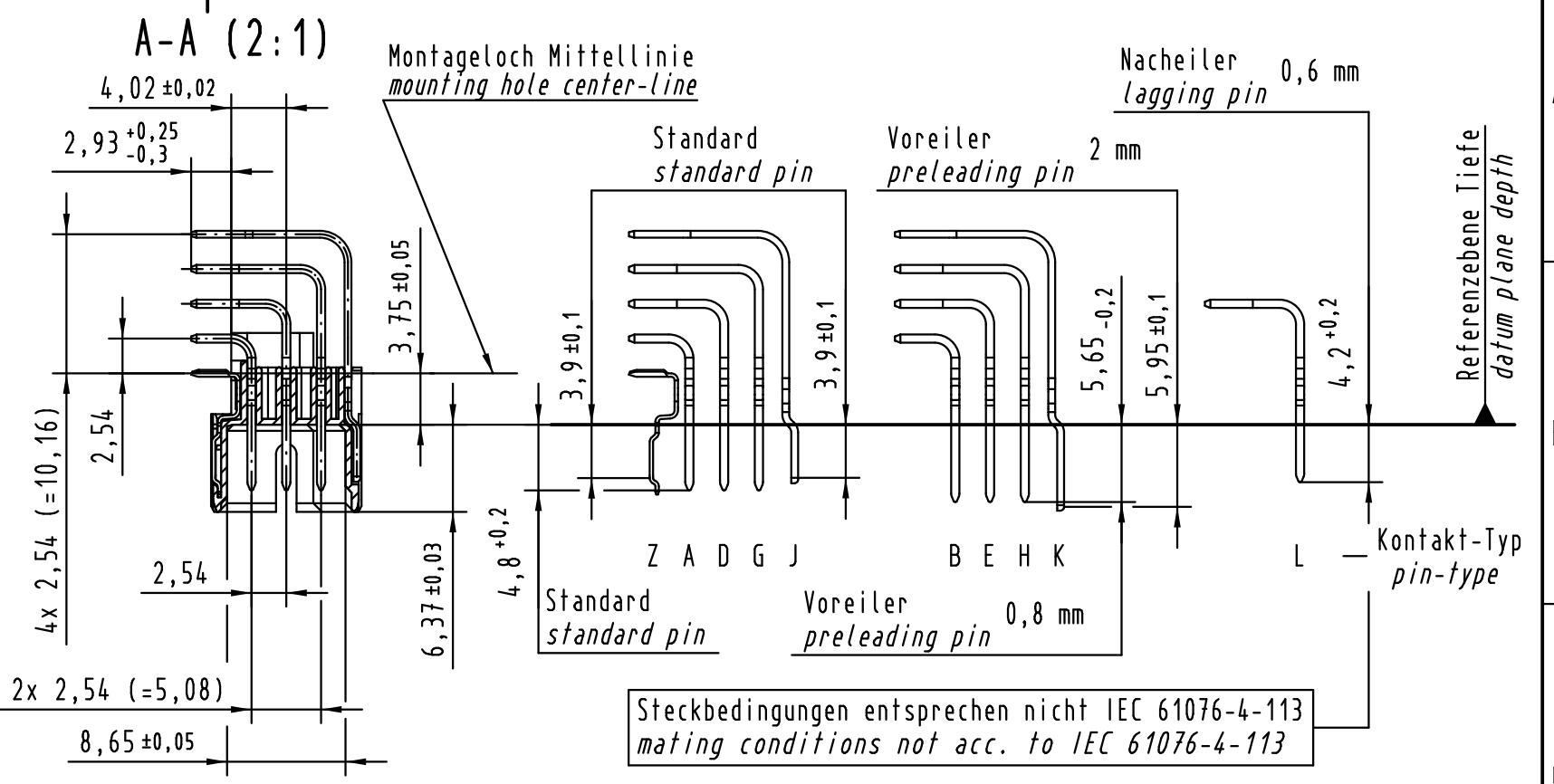
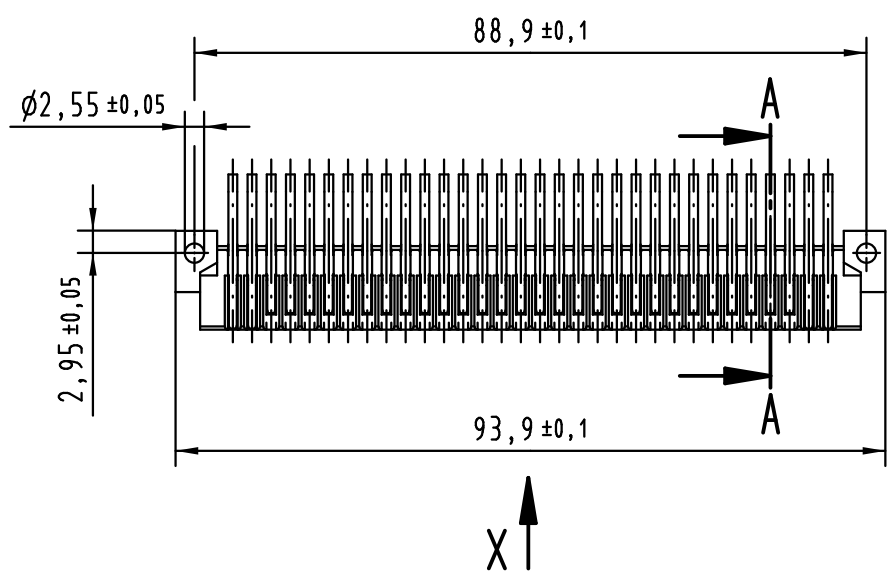
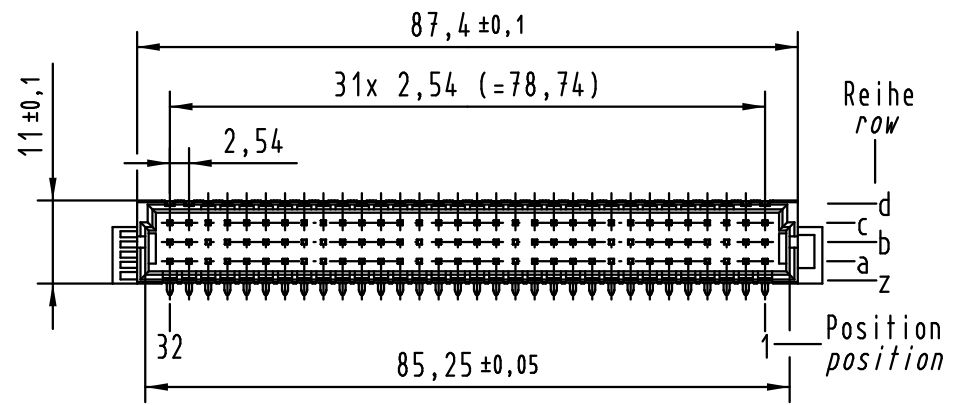
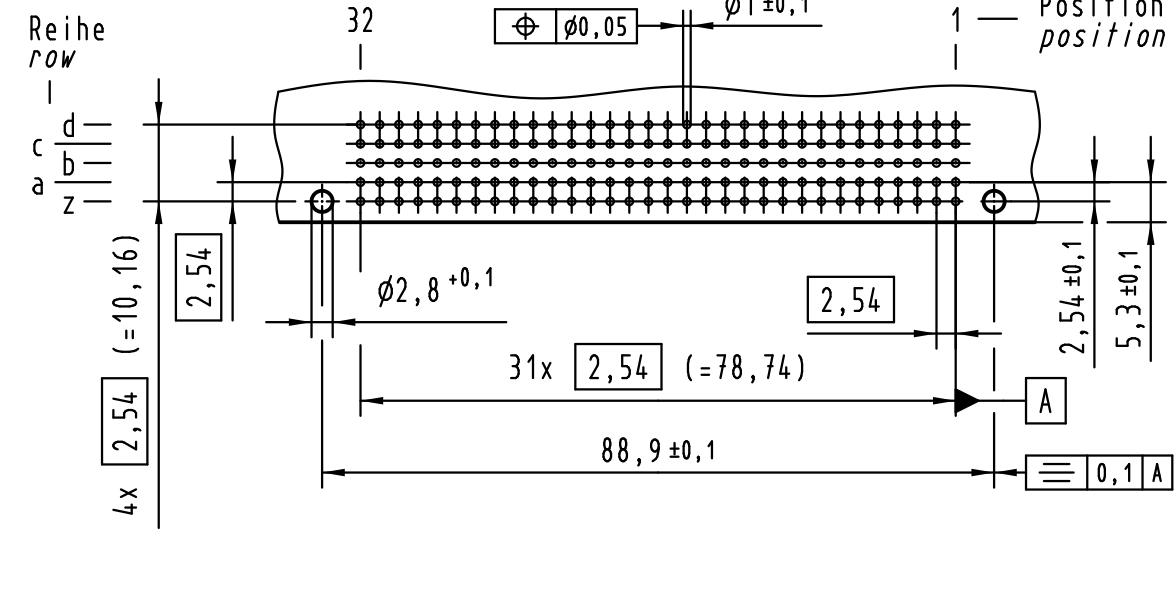
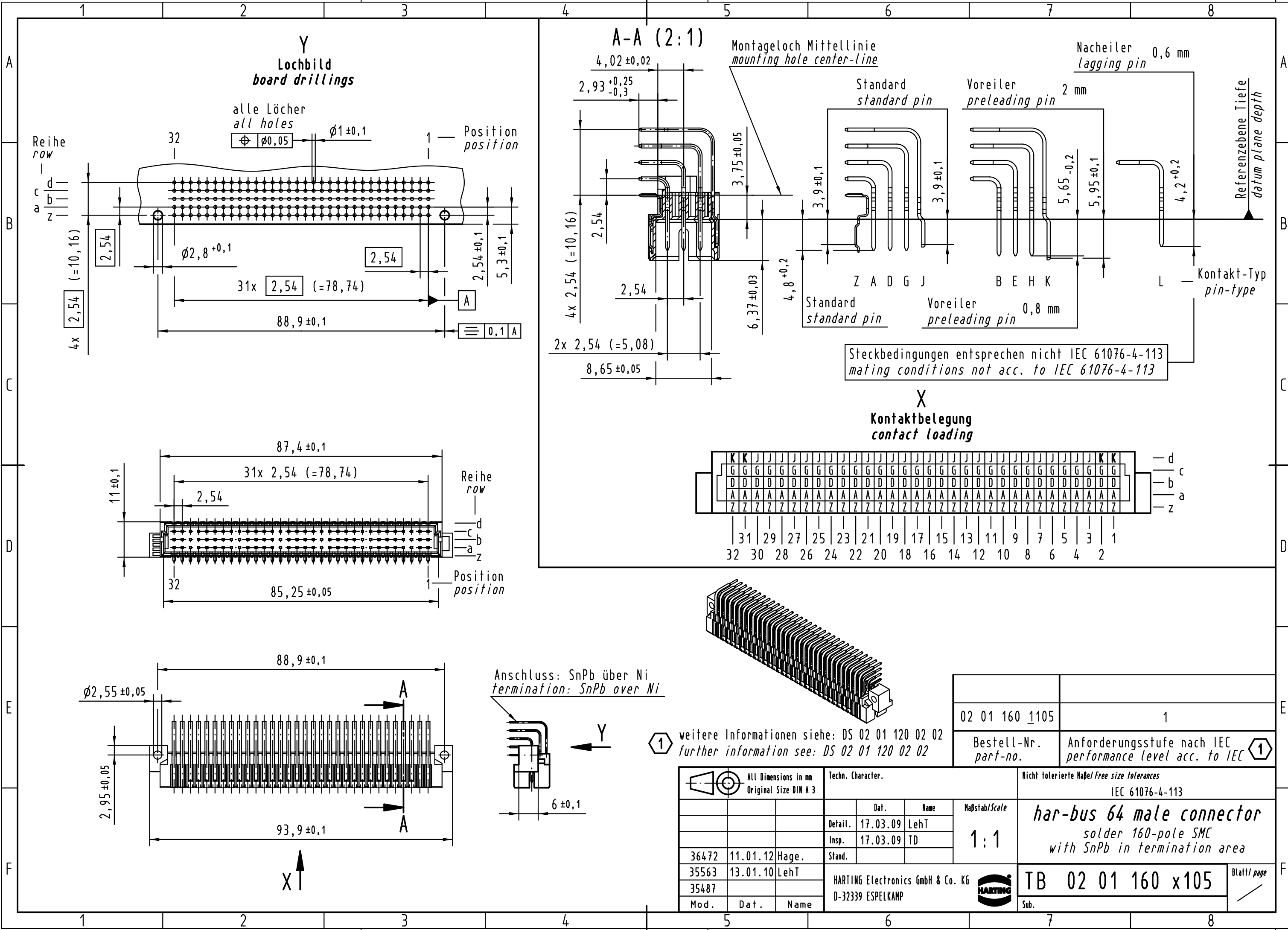
Tel: +86-755-8981 8866 Fax: +86-755-8427 6832

Email & Skype: info@chipsmall.com Web: www.chipsmall.com

Address: A1208, Overseas Decoration Building, #122 Zhenhua RD., Futian, Shenzhen, China



Alle Rechte vorbehalten/ All rights reserved



02 01 160 1105	1
Bestell-Nr. part-no.	Anforderungsstufe nach IEC performance level acc. to IEC 1

All Dimensions in mm Original Size DIN A 3		Techn. Character.		Nicht tolerierte Maße / Free size tolerances IEC 61076-4-113	
		Dat.	Name	Maßstab/Scale 1:1	har-bus 64 male connector solder 160-pole SMC with SnPb in termination area
		Detail.	17.03.09 LeHT		
		Insp.	17.03.09 TD		
		Stand.			
36472	11.01.12	Hage.			
35563	13.01.10	LeHT			
35487					
Mod.	Dat.	Name	HARTING Electronics GmbH & Co. KG D-32339 ESPELKAMP		Blatt/page
					TB 02 01 160 x105
					Sub.