



Chipsmall Limited consists of a professional team with an average of over 10 year of expertise in the distribution of electronic components. Based in Hongkong, we have already established firm and mutual-benefit business relationships with customers from,Europe,America and south Asia,supplying obsolete and hard-to-find components to meet their specific needs.

With the principle of "Quality Parts,Customers Priority,Honest Operation,and Considerate Service",our business mainly focus on the distribution of electronic components. Line cards we deal with include Microchip,ALPS,ROHM,Xilinx,Pulse,ON,Everlight and Freescale. Main products comprise IC,Modules,Potentiometer,IC Socket,Relay,Connector.Our parts cover such applications as commercial,industrial, and automotives areas.

We are looking forward to setting up business relationship with you and hope to provide you with the best service and solution. Let us make a better world for our industry!



Contact us

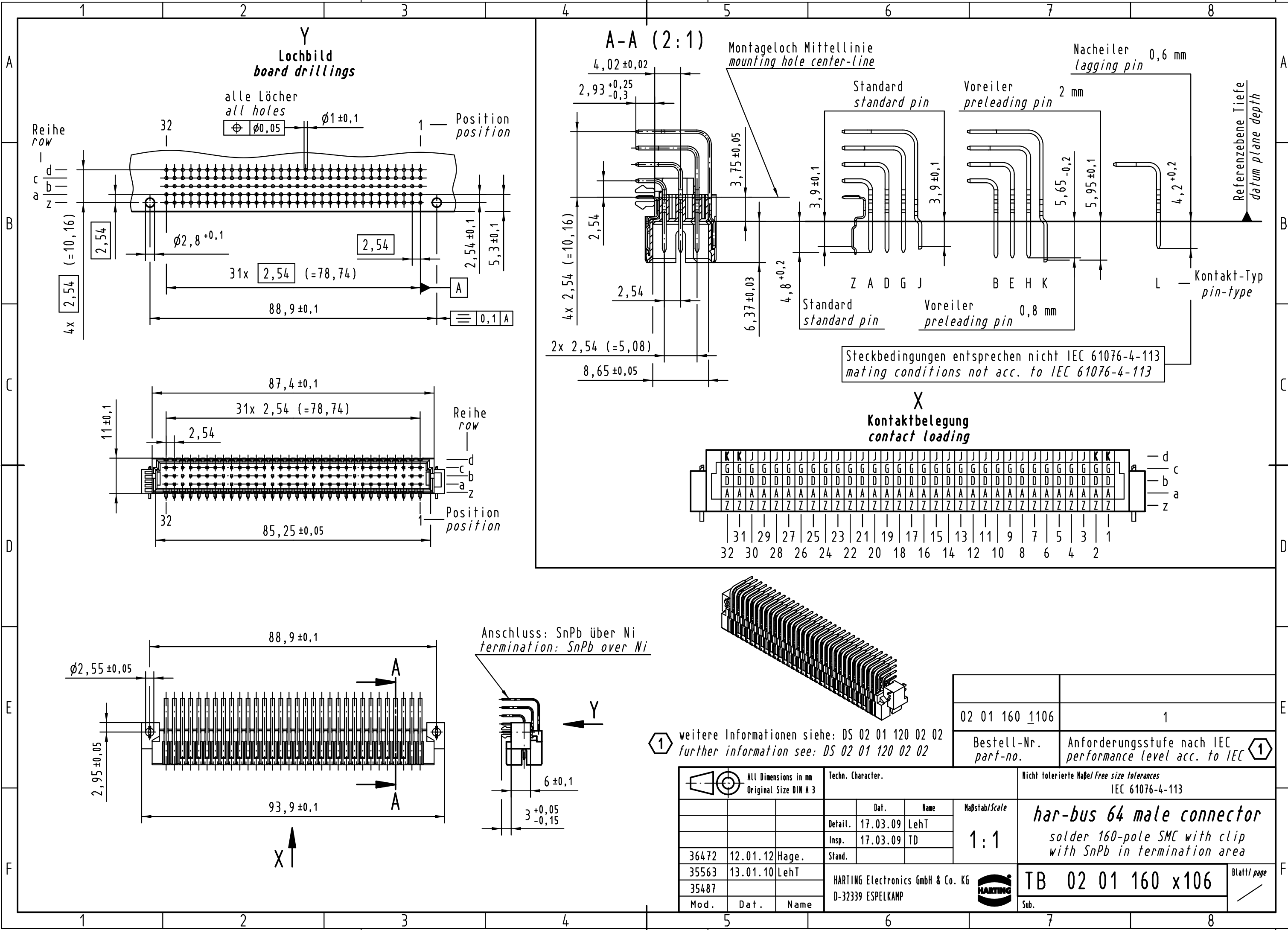
Tel: +86-755-8981 8866 Fax: +86-755-8427 6832

Email & Skype: info@chipsmall.com Web: www.chipsmall.com

Address: A1208, Overseas Decoration Building, #122 Zhenhua RD., Futian, Shenzhen, China



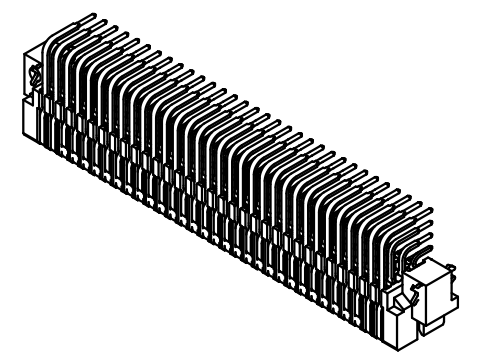
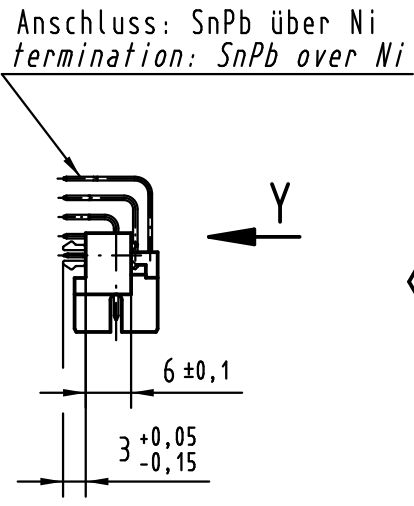
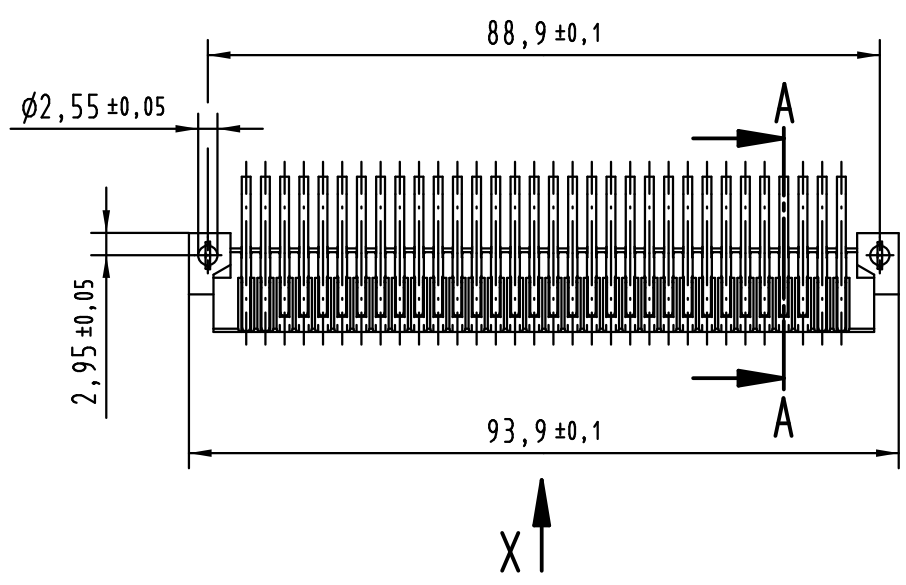
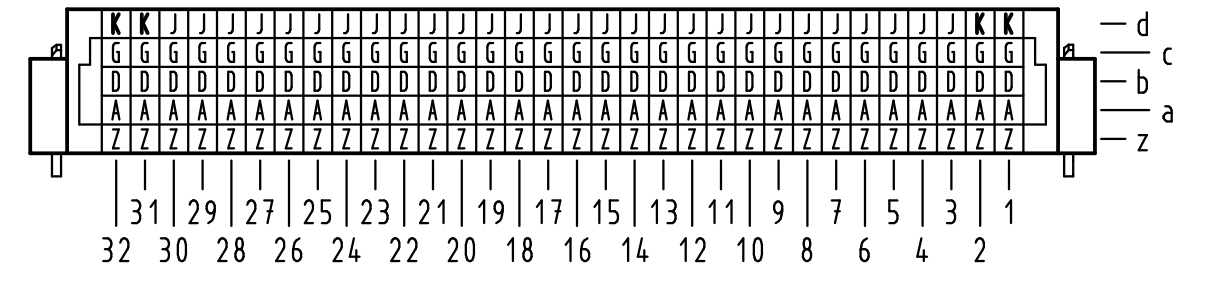
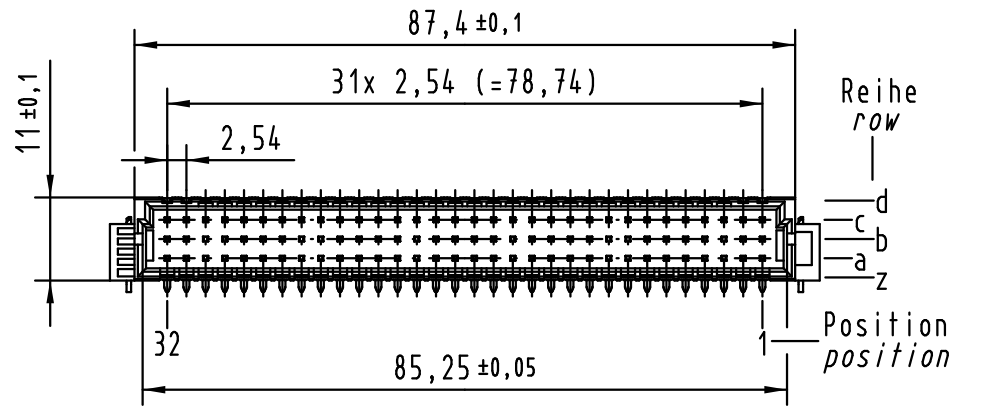
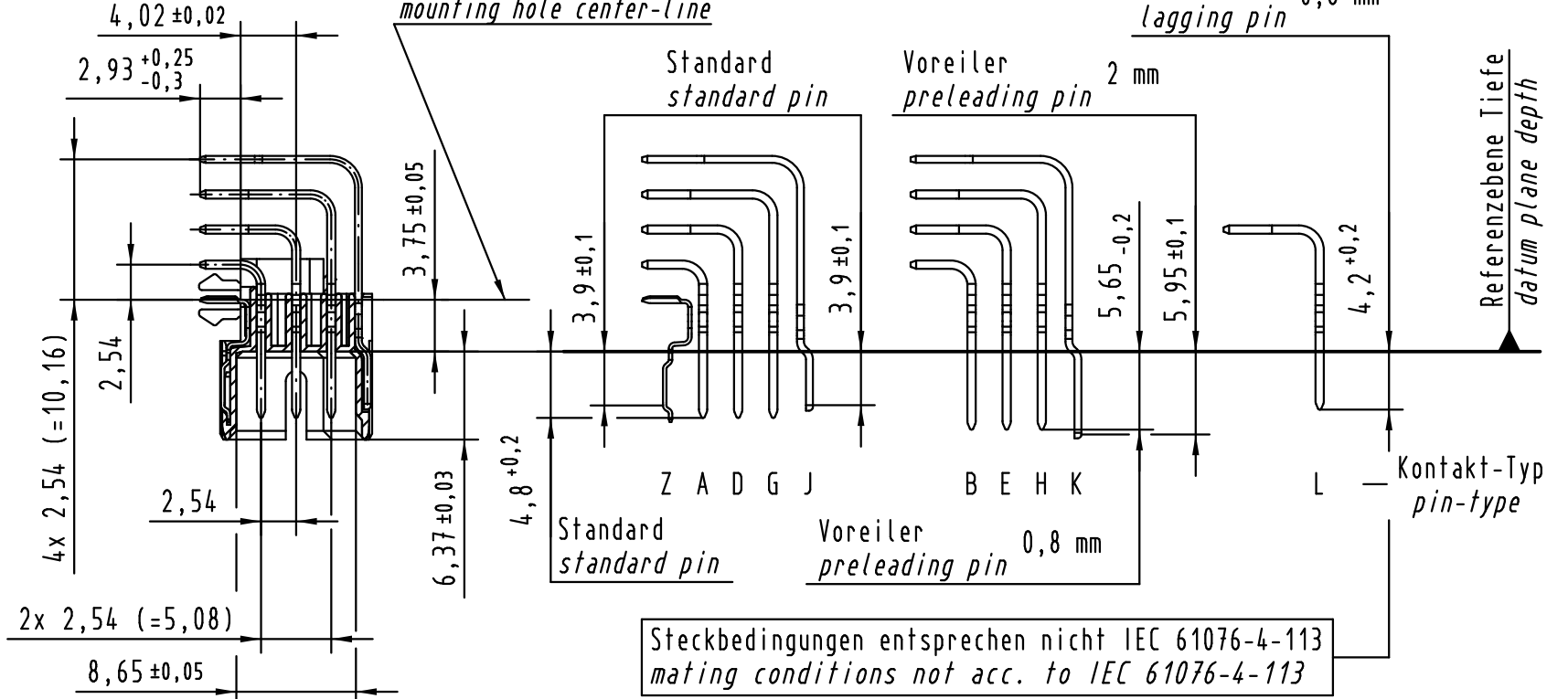
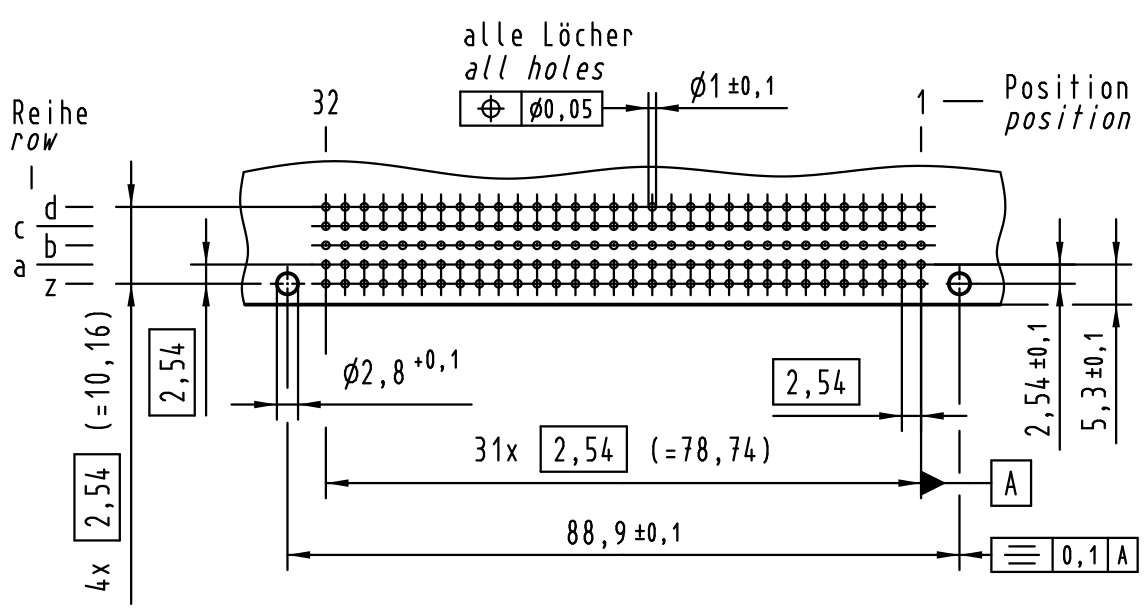
Alle Rechte vorbehalten/ All rights reserved



Y
Lochbild
board drillings

A-A (2:1)

X
Kontaktbelegung
contact loading



① weitere Informationen siehe: DS 02 01 120 02 02
further information see: DS 02 01 120 02 02

02 01 160 1106	1
Bestell-Nr. part-no.	Anforderungsstufe nach IEC performance level acc. to IEC

All Dimensions in mm Original Size DIN A 3		Techn. Character.		Nicht tolerierte Maß/Free size tolerances IEC 61076-4-113	
		Dat.	Name	Maßstab/Scale 1:1	har-bus 64 male connector solder 160-pole SMC with clip with SnPb in termination area
		Detail.	17.03.09 LehT		
		Insp.	17.03.09 TD		
36472	12.01.12 Hage.	Stand.			
35563	13.01.10 LehT				
35487					
Mod.	Dat.	Name	HARTING Electronics GmbH & Co. KG D-32339 ESPELKAMP		Blatt/ page
			Sub.		TB 02 01 160 x106