



Chipsmall Limited consists of a professional team with an average of over 10 year of expertise in the distribution of electronic components. Based in Hongkong, we have already established firm and mutual-benefit business relationships with customers from,Europe,America and south Asia,supplying obsolete and hard-to-find components to meet their specific needs.

With the principle of “Quality Parts,Customers Priority,Honest Operation,and Considerate Service”,our business mainly focus on the distribution of electronic components. Line cards we deal with include Microchip,ALPS,ROHM,Xilinx,Pulse,ON,Everlight and Freescale. Main products comprise IC,Modules,Potentiometer,IC Socket,Relay,Connector.Our parts cover such applications as commercial,industrial, and automotives areas.

We are looking forward to setting up business relationship with you and hope to provide you with the best service and solution. Let us make a better world for our industry!



Contact us

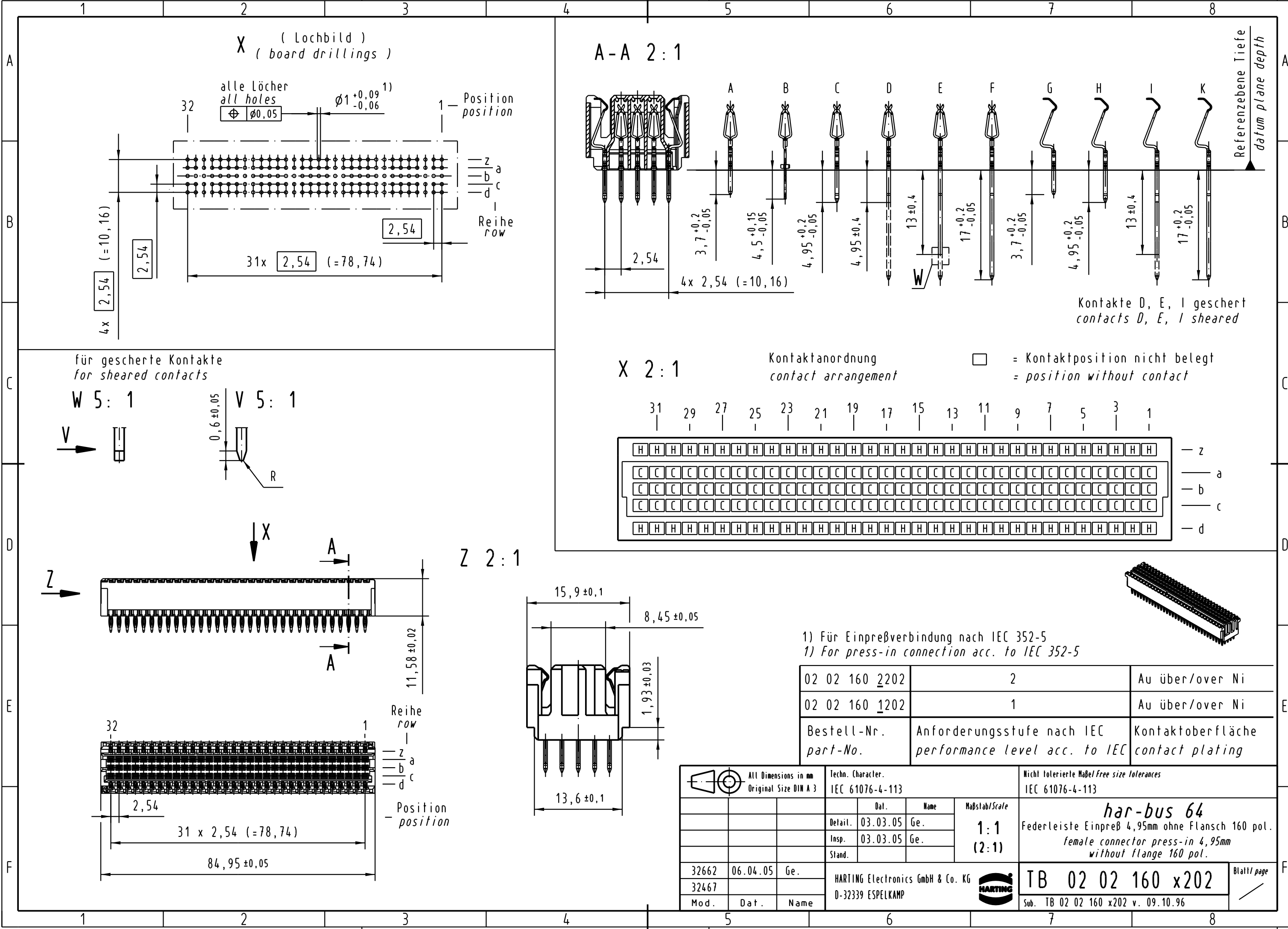
Tel: +86-755-8981 8866 Fax: +86-755-8427 6832

Email & Skype: info@chipsmall.com Web: www.chipsmall.com

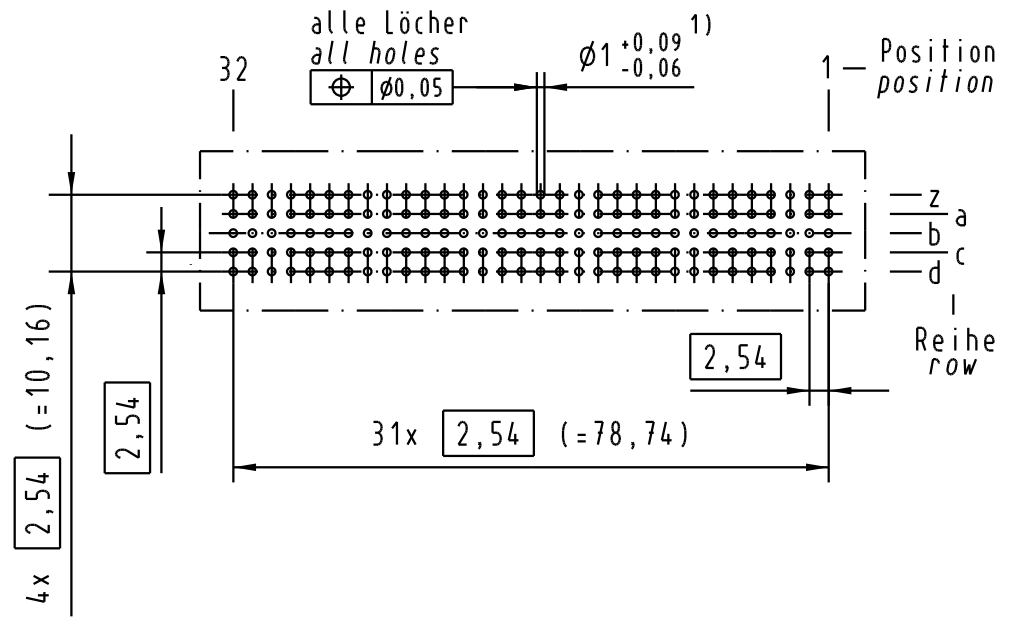
Address: A1208, Overseas Decoration Building, #122 Zhenhua RD., Futian, Shenzhen, China



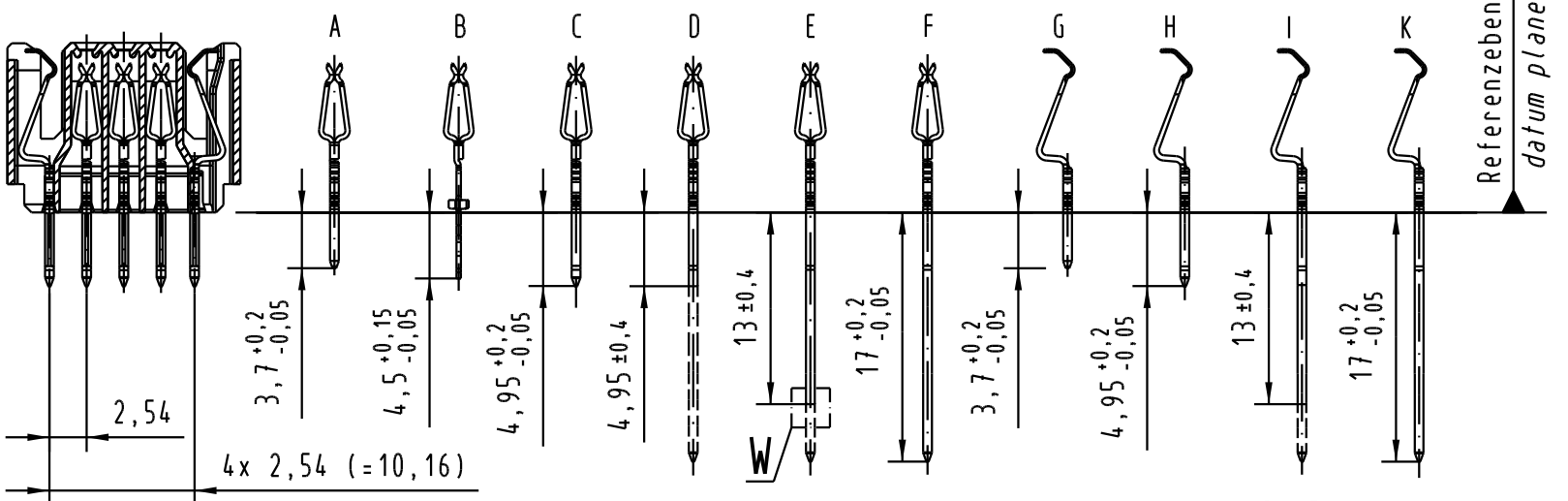
Alle Rechte vorbehalten. All rights reserved



X (Lochbild)
(board drillings)

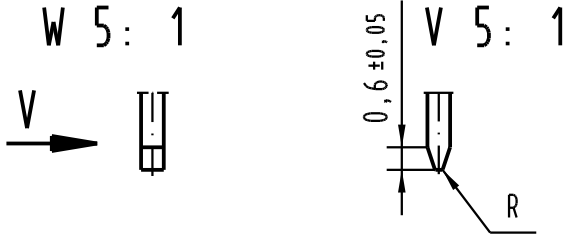


A-A 2:1

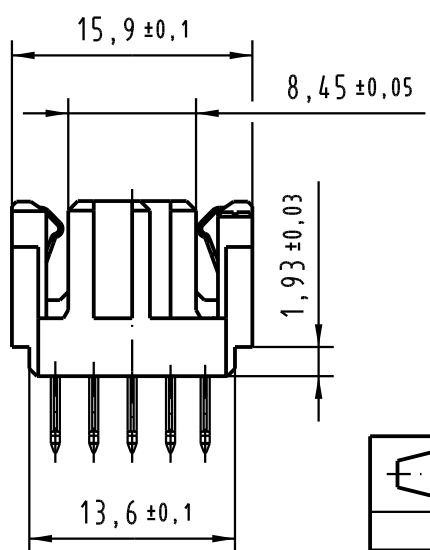
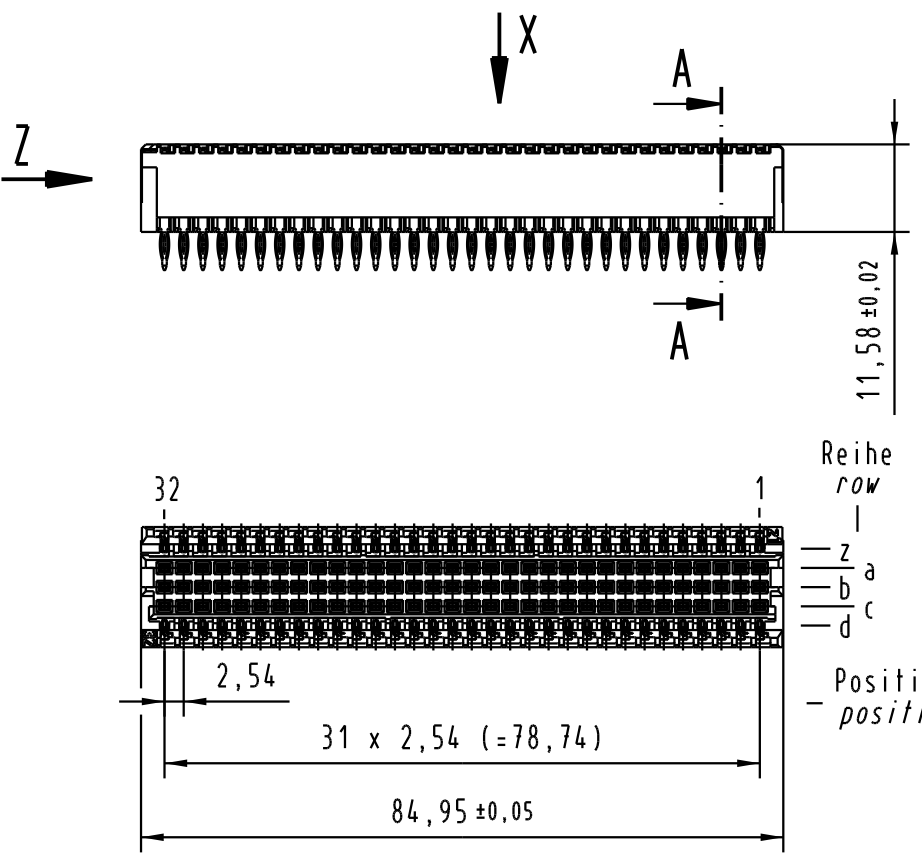
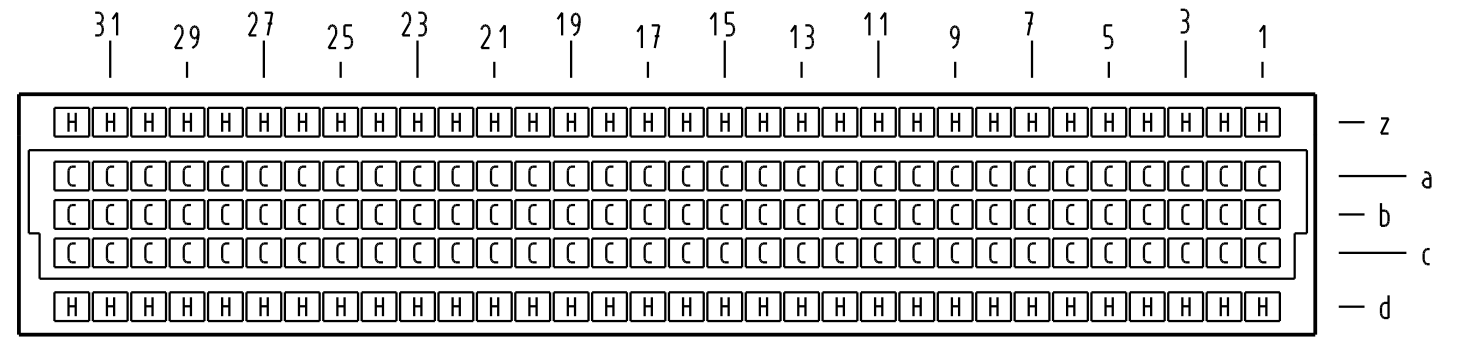


Kontakte D, E, I gesichert
contacts D, E, I sheared

für geschnittene Kontakte
for sheared contacts



X 2:1



1) Für Einpreßverbindung nach IEC 352-5
1) For press-in connection acc. to IEC 352-5

02 02 160 2202	2	Au über/over Ni
02 02 160 1202	1	Au über/over Ni
Bestell-Nr. part-No.	Anforderungsstufe nach IEC performance level acc. to IEC	Kontaktoberfläche contact plating

All Dimensions in mm Original Size DIN A 3		Techn. Character. IEC 61076-4-113		Nicht tolerierte Maßel Free size tolerances IEC 61076-4-113	
		Dat.	Name	Maßstab/Scale 1:1 (2:1)	
		Detail.	Ge.		
		Insp.	Ge.		
		Stand.			
32662	06.04.05	Ge.	HARTING Electronics GmbH & Co. KG D-32339 ESPELKAMP		TB 02 02 160 x202
32467					
Mod.	Dat.	Name			Blatt / page Sub. TB 02 02 160 x202 v. 09.10.96

