



Chipsmall Limited consists of a professional team with an average of over 10 year of expertise in the distribution of electronic components. Based in Hongkong, we have already established firm and mutual-benefit business relationships with customers from,Europe,America and south Asia,supplying obsolete and hard-to-find components to meet their specific needs.

With the principle of “Quality Parts,Customers Priority,Honest Operation,and Considerate Service”,our business mainly focus on the distribution of electronic components. Line cards we deal with include Microchip,ALPS,ROHM,Xilinx,Pulse,ON,Everlight and Freescale. Main products comprise IC,Modules,Potentiometer,IC Socket,Relay,Connector.Our parts cover such applications as commercial,industrial, and automotives areas.

We are looking forward to setting up business relationship with you and hope to provide you with the best service and solution. Let us make a better world for our industry!



Contact us

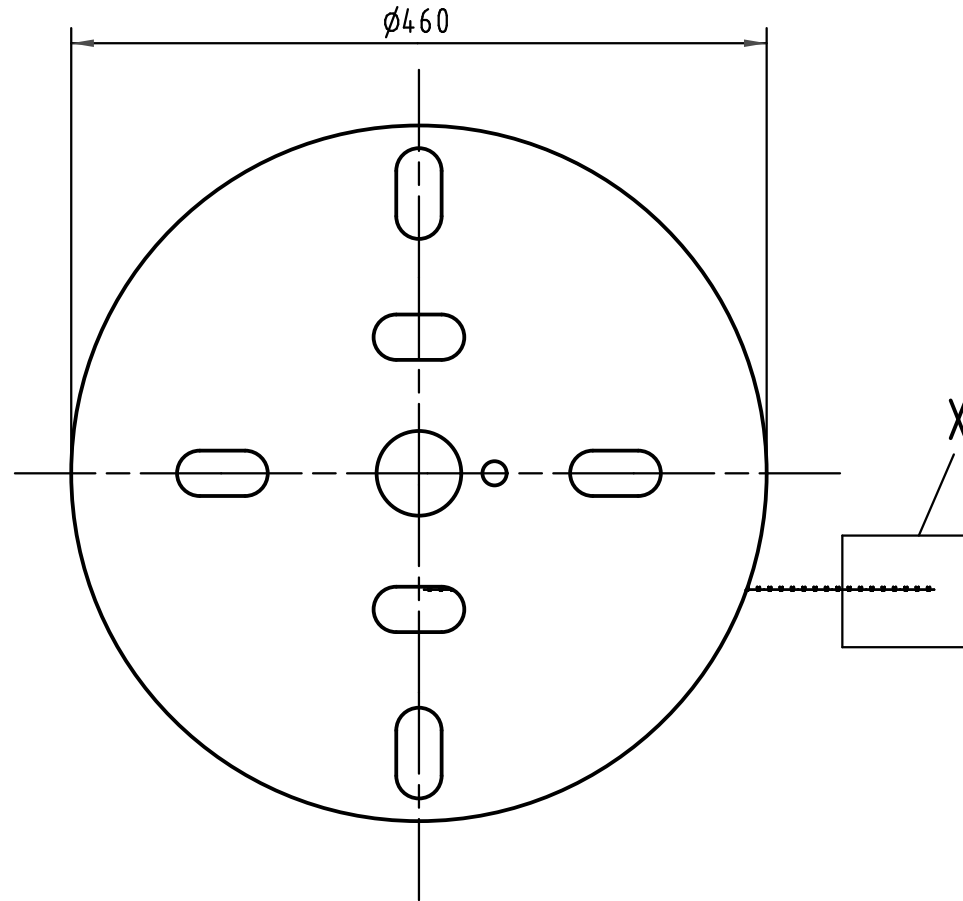
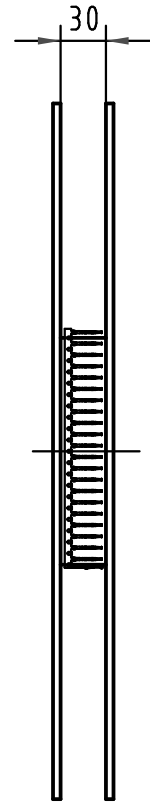
Tel: +86-755-8981 8866 Fax: +86-755-8427 6832

Email & Skype: info@chipsmall.com Web: www.chipsmall.com

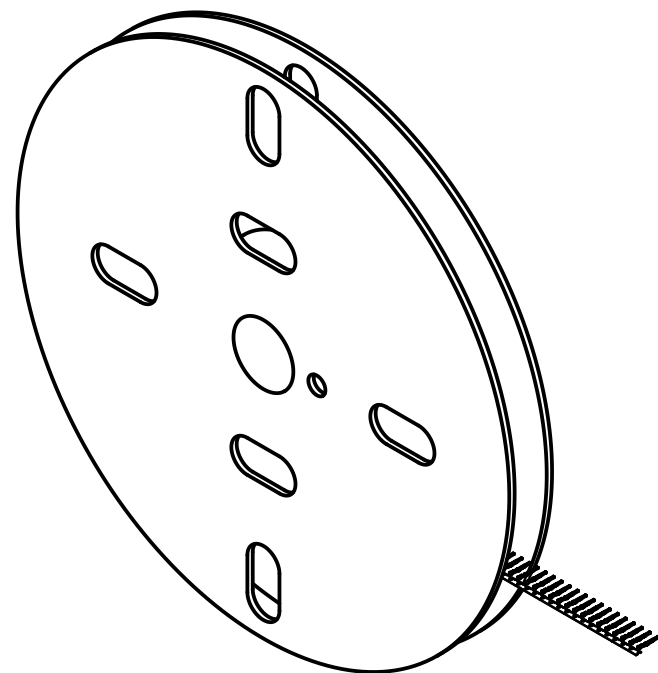
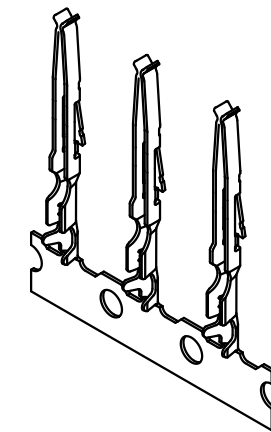
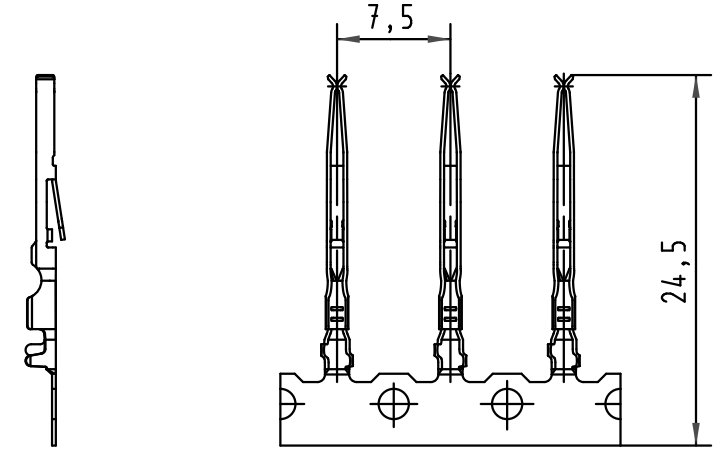
Address: A1208, Overseas Decoration Building, #122 Zhenhua RD., Futian, Shenzhen, China



Alle Rechte vorbehalten/ All rights reserved



X
2:1



02 05 000 2511	2
02 05 000 1511	1
Bestell-Nr. part-no.	Anforderungsstufe nach IEC performance level acc. to IEC

All Dimensions in mm Original Size DIN A 3	Techn. Character.			Nicht tolerierte Maße/Free size tolerances	
		Dat.	Name	Maßstab/Scale 1:2 (2:1)	har-bus 64 Crimpkontakt 5000 Stück pro Haspel AWG 28-20 (0,09-0,5mm ²) har-bus 64 crimp-contact 5000 pcs. per reel AWG 28-20 (0,09-0,5mm ²)
	Detail.	23.04.08 LehT			
	Insp.	23.04.08 Ge			
	Stand.				
35187	06.06.08	LehT	HARTING Electronics GmbH & Co. KG		TB 02 05 000 x511
35144			D-32339 ESPELKAMP		
Mod.	Dat.	Name			Blatt/page
			Sub.		