



Chipsmall Limited consists of a professional team with an average of over 10 year of expertise in the distribution of electronic components. Based in Hongkong, we have already established firm and mutual-benefit business relationships with customers from,Europe,America and south Asia,supplying obsolete and hard-to-find components to meet their specific needs.

With the principle of “Quality Parts,Customers Priority,Honest Operation,and Considerate Service”,our business mainly focus on the distribution of electronic components. Line cards we deal with include Microchip,ALPS,ROHM,Xilinx,Pulse,ON,Everlight and Freescale. Main products comprise IC,Modules,Potentiometer,IC Socket,Relay,Connector.Our parts cover such applications as commercial,industrial, and automotives areas.

We are looking forward to setting up business relationship with you and hope to provide you with the best service and solution. Let us make a better world for our industry!



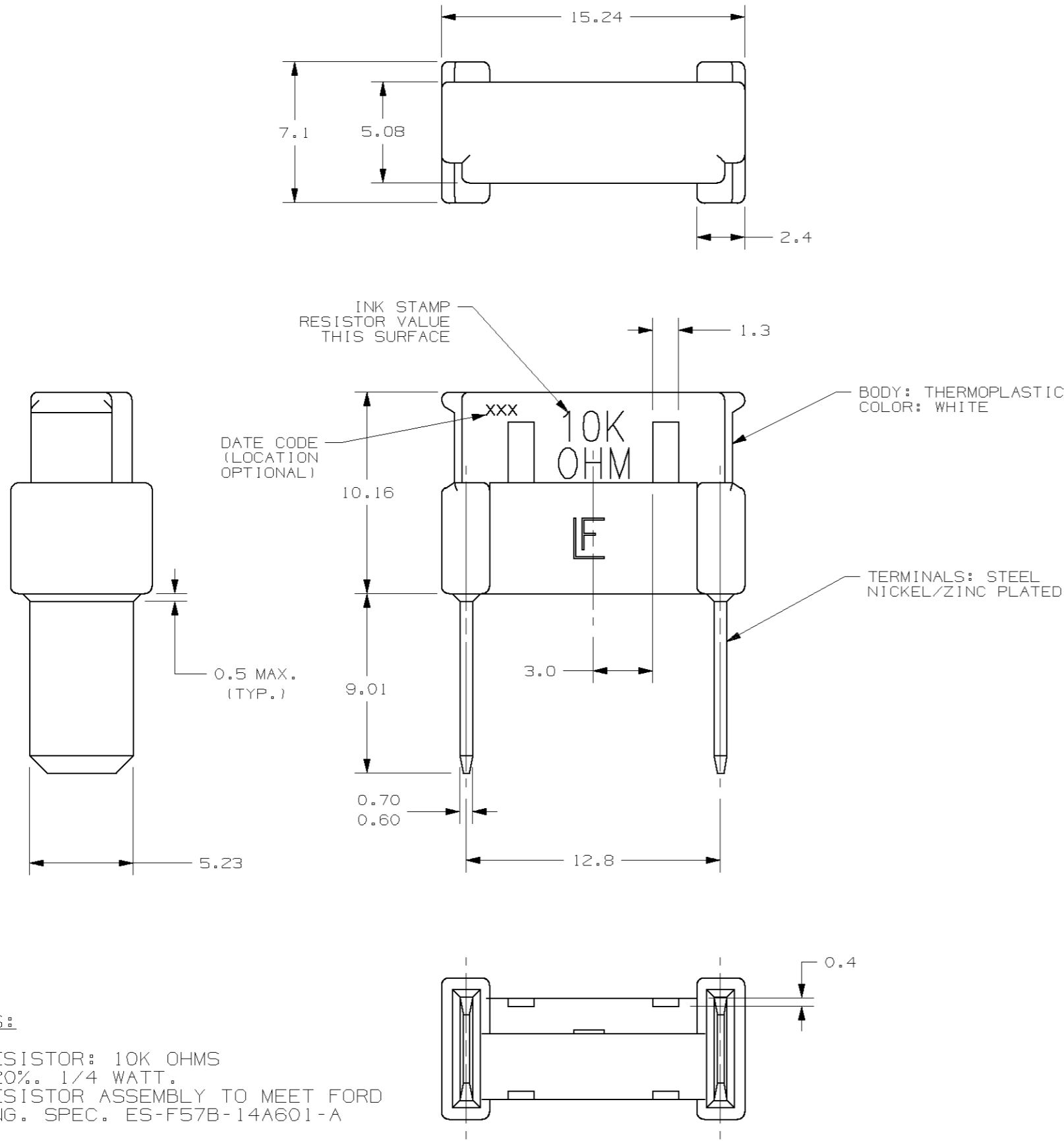
## Contact us

Tel: +86-755-8981 8866 Fax: +86-755-8427 6832

Email & Skype: info@chipsmall.com Web: www.chipsmall.com

Address: A1208, Overseas Decoration Building, #122 Zhenhua RD., Futian, Shenzhen, China





NOTES:

- RESISTOR: 10K OHMS  
±20%. 1/4 WATT.
- RESISTOR ASSEMBLY TO MEET FORD  
ENG. SPEC. ES-F57B-14A601-A

CUSTOMER: FORD  
CUSTOMER PART#: F57B-14A601-A

METRIC

|  |
|--|
| UNLESS OTHERWISE SPECIFIED, DIMENSIONS ARE IN MILLIMETERS.<br>DIMENSIONS IN BRACKETS [ ] ARE INCHES  |
| UNLESS OTHERWISE SPECIFIED, DIMENSIONS DO NOT INCLUDE PLATING.   |
| ⊙ DENOTES CRITICAL CHARACTERISTICS.  |
| CPK DENOTES CPK DIMENSIONS, -MINIMUM CPK VALUE   |
| ST DENOTES A CHARACTERISTIC THAT PROVIDES AN INDICATION OF PROCESS PERFORMANCE. PROCEDURE FOR MEASUREMENT AND TRACKING TO BE DEFINED IN LITTELFUSE INSPECTION INSTRUCTIONS |
| CP DENOTES CP DIMENSIONS, -MINIMUM CP VALUE MUST BE WITHIN THE DIMENSIONAL LIMITATIONS SHOWN ON DRAWING AND INITIALLY LOCATED TO ALLOW FOR MAXIMUM TOOL LIFE               |

|    |              |             |       |     |
|----|--------------|-------------|-------|-----|
| NO | COMPONENT NO | DESCRIPTION | QTY/M | U/M |
|----|--------------|-------------|-------|-----|

BILL OF MATERIAL

|           |    |           |                     |
|-----------|----|-----------|---------------------|
| COPIES TO |    | MATL SPEC |                     |
| 1         | 9  | 18        | FINISH              |
| 2         | 10 | 19        |                     |
| 3         | 12 | 20        |                     |
| 4         | 13 | 21        | SCALE 4:1           |
| 5         | 14 | 23        | DATE 10/08/97       |
| 6         | 15 | 33        | DATE SUPER DR       |
| 7         | 16 | 43        | DATE FINISH GOOD WT |
| 8         | 17 | 53        | GRAMS/PIECE         |

TOLERANCE UNLESS OTHERWISE SPECIFIED  
ONE PLACE DEC +/- .3  
THREE PLACE DEC +/- .100  
TWO PLACE DEC +/- .25

3RD ANGLE PROJECTION  
TITLE RESISTOR ASSEMBLY

REVISION DRWG. NO. 02400105Z  
OUTLINE

