



Chipsmall Limited consists of a professional team with an average of over 10 year of expertise in the distribution of electronic components. Based in Hongkong, we have already established firm and mutual-benefit business relationships with customers from,Europe,America and south Asia,supplying obsolete and hard-to-find components to meet their specific needs.

With the principle of “Quality Parts,Customers Priority,Honest Operation,and Considerate Service”,our business mainly focus on the distribution of electronic components. Line cards we deal with include Microchip,ALPS,ROHM,Xilinx,Pulse,ON,Everlight and Freescale. Main products comprise IC,Modules,Potentiometer,IC Socket,Relay,Connector.Our parts cover such applications as commercial,industrial, and automotives areas.

We are looking forward to setting up business relationship with you and hope to provide you with the best service and solution. Let us make a better world for our industry!



## Contact us

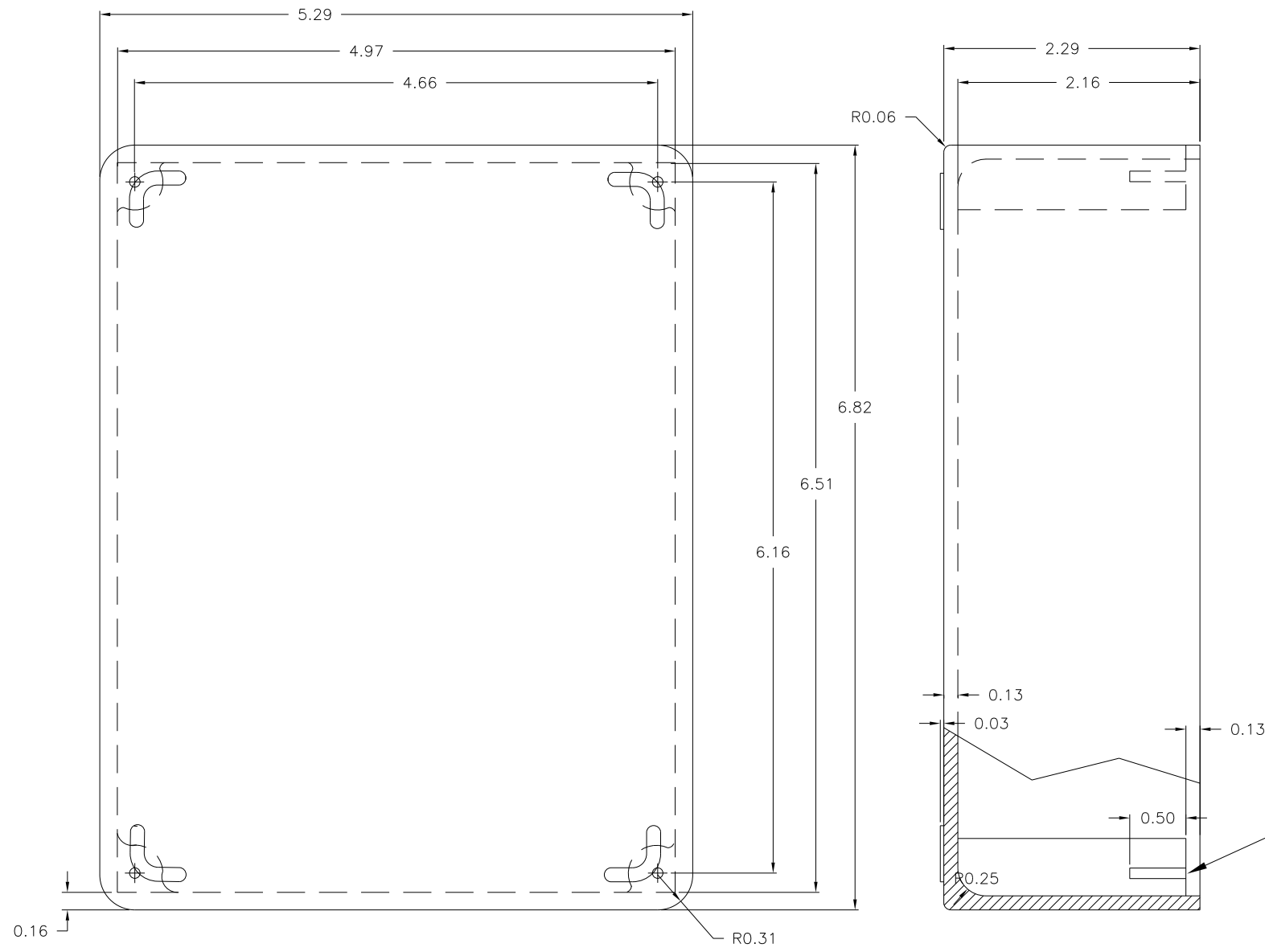
Tel: +86-755-8981 8866 Fax: +86-755-8427 6832

Email & Skype: info@chipsmall.com Web: www.chipsmall.com

Address: A1208, Overseas Decoration Building, #122 Zhenhua RD., Futian, Shenzhen, China



P/N # 0260	
MOLD NO. # 0260	
PIN	0260-G



- NOTE(S) :
- (1) NO BLISTERS PERMITTED.
  - (2) NO BOWED OR WARPED CONDITIONS PERMITTED.
  - (3) ALL(4) CORNERS MUST BE ROUTED AT THE MOLDING PRESS.
  - (4) OPERATOR MUST USE COOLING FIXTURE DURING MOLDING PROCESS.

MATERIAL: #4311 PLENCO PHENOLIC (B41)  
 COLOR: BLACK

CHANGES			

TOLERANCES: UNLESS OTHERWISE SPECIFIED	DO NOT SCALE DRAWING
DECIMALS: X.XXX ± .005 X.XX ± .015	MM: X.XX ± 0.15MM X.X ± 0.4MM
FRACTIONS ± 1/64	ANG. ± 1°

DAVIES MOLDING Co.CAROL STREAM, IL			
DATE	8/8/52	MOLD No:	260
DRAWN BY	JC		
APPROVED BY	xxx	SHEET	1 of 1
SCALE	FULL		