



Chipsmall Limited consists of a professional team with an average of over 10 year of expertise in the distribution of electronic components. Based in Hongkong, we have already established firm and mutual-benefit business relationships with customers from,Europe,America and south Asia,supplying obsolete and hard-to-find components to meet their specific needs.

With the principle of “Quality Parts,Customers Priority,Honest Operation,and Considerate Service”,our business mainly focus on the distribution of electronic components. Line cards we deal with include Microchip,ALPS,ROHM,Xilinx,Pulse,ON,Everlight and Freescale. Main products comprise IC,Modules,Potentiometer,IC Socket,Relay,Connector.Our parts cover such applications as commercial,industrial, and automotives areas.

We are looking forward to setting up business relationship with you and hope to provide you with the best service and solution. Let us make a better world for our industry!



## Contact us

Tel: +86-755-8981 8866 Fax: +86-755-8427 6832

Email & Skype: info@chipsmall.com Web: www.chipsmall.com

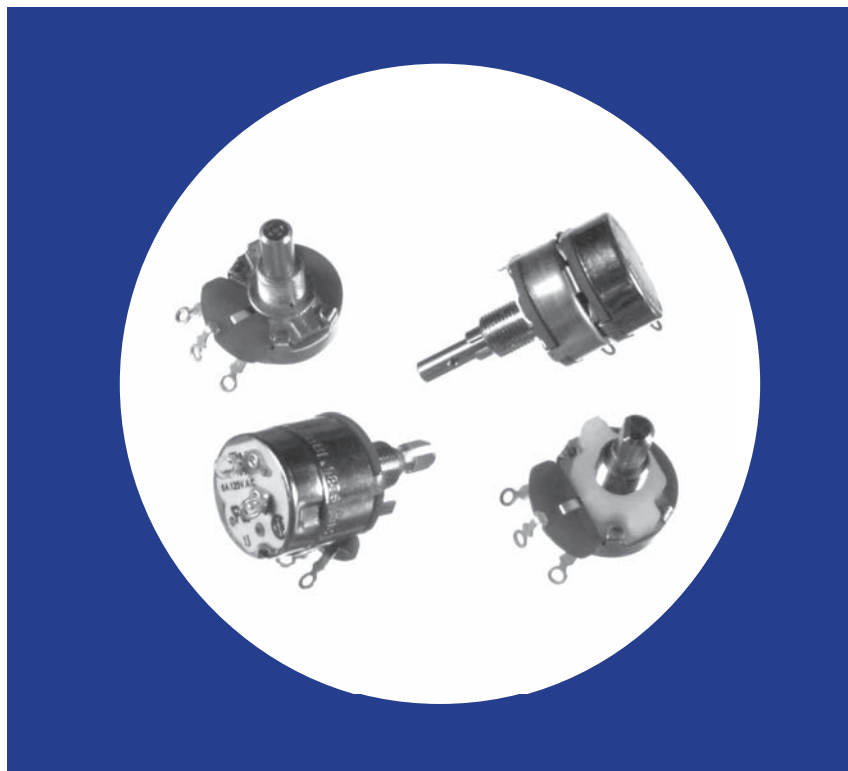
Address: A1208, Overseas Decoration Building, #122 Zhenhua RD., Futian, Shenzhen, China



## Industrial 24mm Diameter 5 Watt, Wirewound Rotary Potentiometer

### Features

- Dust-proof construction
- Precision linearity
- 5 watt power rating
- Superior resistance stability in temperature and environment change
- Tandem constructions available
- Bushing or twist tab mounting
- Available with pull-push and rotary power switches
- RoHS compliant



## Electrical and Mechanical Specifications

### Resistance Range

Linear : 1 ohm through 25K ohms  
Audio : 20 ohms through 10K ohms

### Resistance Tolerance

±20%, ±10%, ±5%

### Power Rating

5 watts @ 25°C

### Dielectric Strength

1,000 VAC for 1 minute

### Maximum Operating Voltage

500 VDC

### Insulation Resistance

100 Megohms minimum @ 250 VDC

### Rotational Angle

Mechanical Angle: 300°±5°  
Effective Angle:  
Without switch: 280°  
With switch: 240°

### Rotational Torque

3/4 to 6 in. oz. (54 - 432 gf-cm)

### Linearity (linear curve only)

Standard: 3% linearity  
Special : 2% linearity

### Mounting Information

Bushing Mount  
Twisted Tab

### Power Switch

Rotary Switch-SPST, DPST, SPDT  
Pull-Push Switch-SPST (Pull-ON, Push-OFF)

### Rotational Life

standard : 10,000 cycles  
special : 50,000 , 100,000 cycles

### Solder Heat Resistance

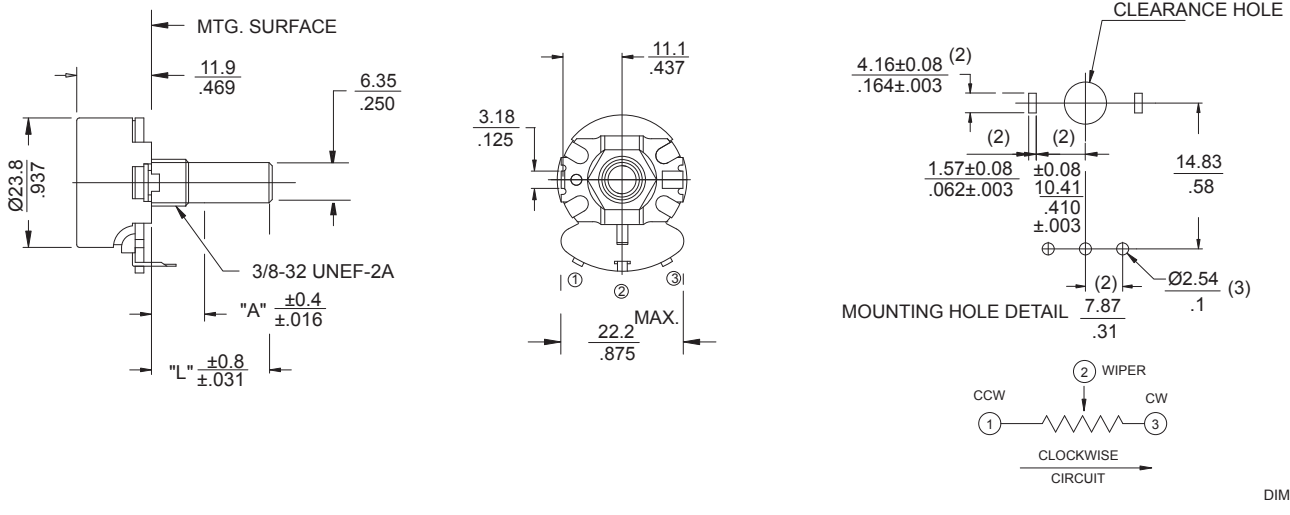
Maximum 350° C for 3 sec

### Operating Temperature

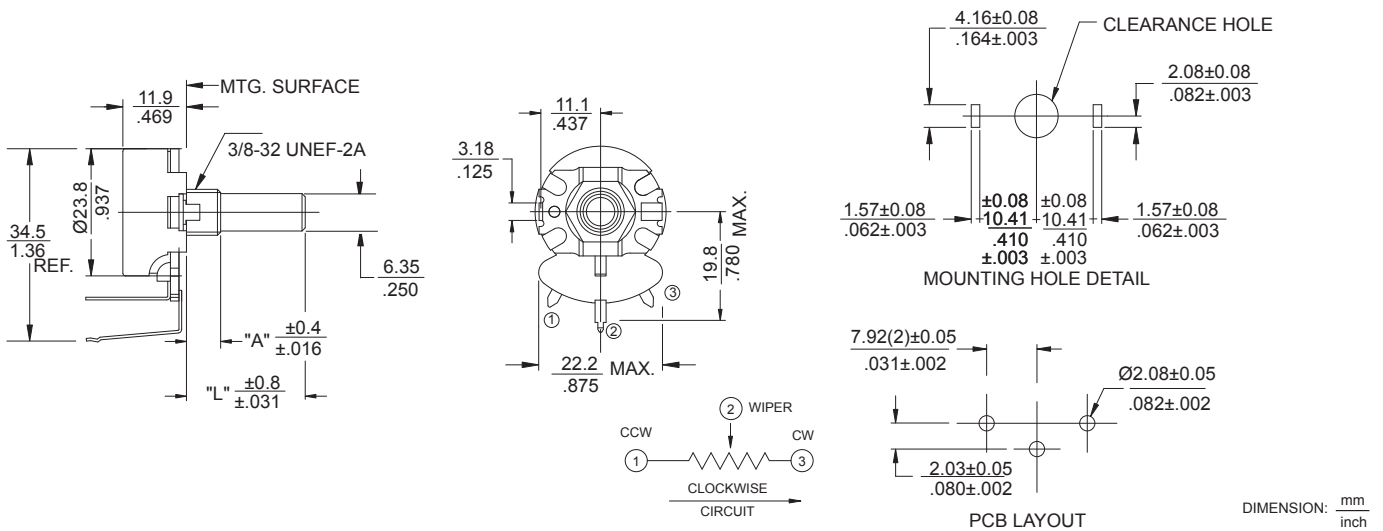
-30° C to +105° C



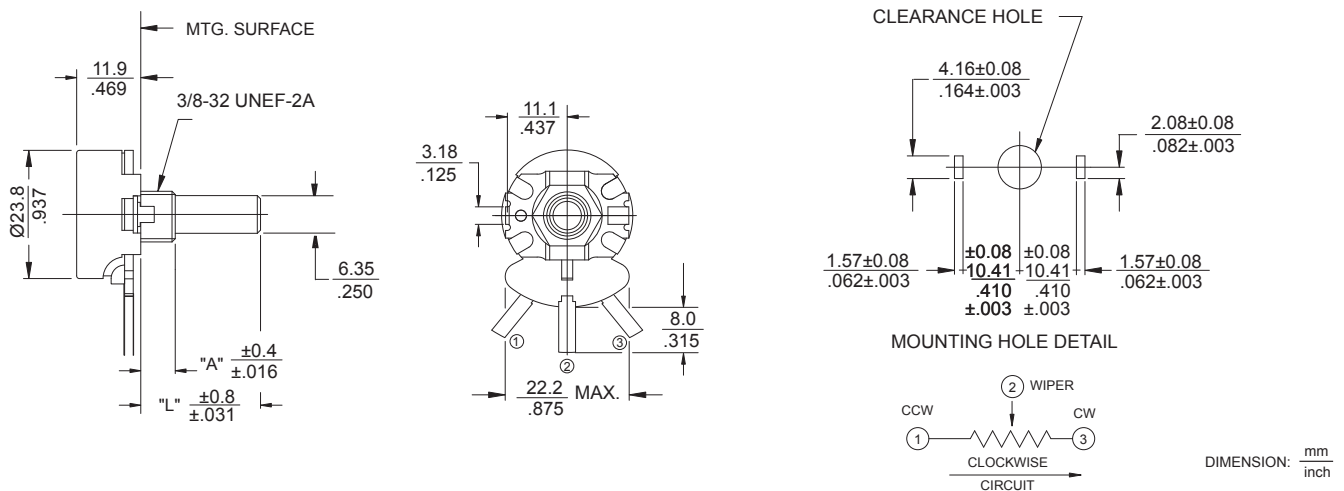
## U026 Metal Shaft, Bushing Mounting, Printed Circuit Type "U" Formed Terminals



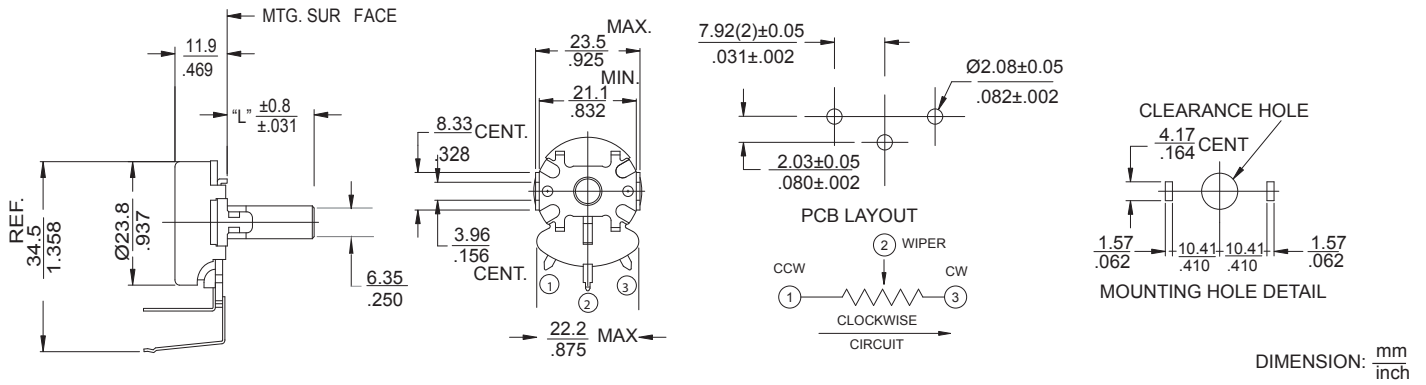
## V026 Metal Shaft, Bushing Mounting, Printed Circuit Type "V" Formed Terminals



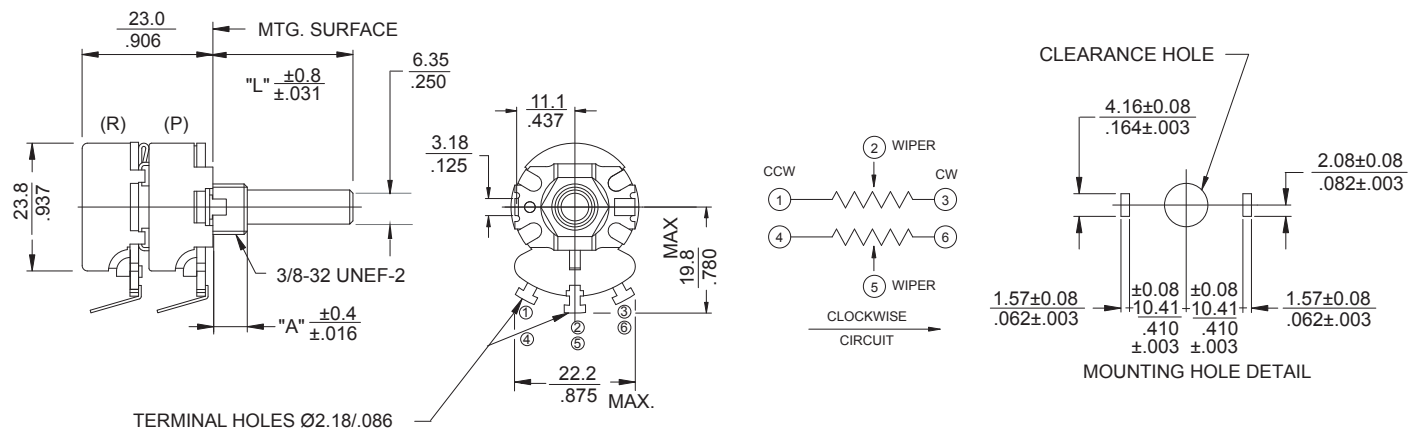
## S026 Metal Shaft, Bushing Mounting, Faston Type "S" Formed Terminals



## VPE026 Metal Shaft, Twist TAB Mounting, Type "V" Formed Terminals



## T2-026 Dual-section, Metal Shaft, Bushing Mounting, Type "T" Solder Lug Terminals



\* More multi-section models available, consult CTS for details

## Ordering Information

**026** **T** **2** **20** **R** **103** **B** **1** **A** **1**

TERMINAL STYLE	METAL MOUNTING STYLE "A"	SHAFT TRIM	RESIST TOL	TAPER	SPECIALS
<b>T</b> - SOLDER LUG <b>X</b> - PC .687"(17.5mm) <b>Y</b> - PC .867"(22.0mm) <b>U</b> - FORMED TO FRONT <b>V</b> - FORMED TO REAR <b>S</b> - FASTON	<b>BUSHING LENGTH: 1/8" INCREMENTS</b> <b>EXAMPLES:</b> <b>2</b> - .250"(6.35mm) <b>3</b> - .375"(9.53mm) <b>8</b> - 1.000"(25.4mm) <b>1</b> - TWIST TAB MOUNT <b>A</b> - .250"(6.35mm) DIECAST <b>B</b> - .375"(9.53mm) DIECAST	<b>R</b> - ROUND <b>F</b> - FLATTED .375"X.156" (9.53mmX4.0mm) <b>K</b> - KNURLED EIA S148 24 TEETH <b>S</b> - SD SLOT .063" DEEP X.047" WIDE (1.6mmX1.2mm)	<b>A</b> - $\pm 10\%$ <b>B</b> - $\pm 20\%$ <b>D</b> - $\pm 5\%$	<b>1</b> - LINEAR <b>2</b> - 20%AUD <b>3</b> - 20%CCW AUD	<b>1</b> - LOCATING LUG LEFT SIDE <b>2</b> - LOCATING LUG RIGHT SIDE <b>3</b> - NO LOCATING LUG LOCATING <b>5</b> - LOCATING LUG BOTH SIDE

METAL SHAFT LENGTH "L"	RESISTANCE CODE EXAMPLES	SWITCHES	FUNCTION	CTS TYPE	CURRENT RATING
<b>FROM MOUNTING SURFACE 1/32" INCREMENTS</b> <b>EXAMPLES:</b> <b>20</b> - .625"(6.35mm) <b>24</b> - .750"(19.5mm) <b>28</b> - .875"(22.2mm) <b>32</b> - 1.000"(25.4mm)	<b>CODE RESISTANCE</b> <b>5A0</b> 5 OHMS <b>501</b> 500 OHMS <b>102</b> 1K <b>252</b> 2.5K <b>502</b> 5K <b>103</b> 10K <b>253</b> 25K	<b>A</b> - NONE <b>B</b> - SPST <b>C</b> - DPST <b>D</b> - SPDT <b>E</b> - SPST <b>F</b> - SPST	ROTARY ROTARY ROTARY PULL-PUSH ROTARY	TGC 027 028 FR-K FR-GC	6AMP @ 125VAC 3AMP @ 125VAC 1AMP @ 250VAC 3AMP @ 125VAC 3AMP @ 125VAC 3AMP @ 125VAC 1AMP @ 250VAC/DC

\* Refer to series 450 data sheet for power switch detail