



Chipsmall Limited consists of a professional team with an average of over 10 year of expertise in the distribution of electronic components. Based in Hongkong, we have already established firm and mutual-benefit business relationships with customers from,Europe,America and south Asia,supplying obsolete and hard-to-find components to meet their specific needs.

With the principle of “Quality Parts,Customers Priority,Honest Operation,and Considerate Service”,our business mainly focus on the distribution of electronic components. Line cards we deal with include Microchip,ALPS,ROHM,Xilinx,Pulse,ON,Everlight and Freescale. Main products comprise IC,Modules,Potentiometer,IC Socket,Relay,Connector.Our parts cover such applications as commercial,industrial, and automotives areas.

We are looking forward to setting up business relationship with you and hope to provide you with the best service and solution. Let us make a better world for our industry!



## Contact us

Tel: +86-755-8981 8866 Fax: +86-755-8427 6832

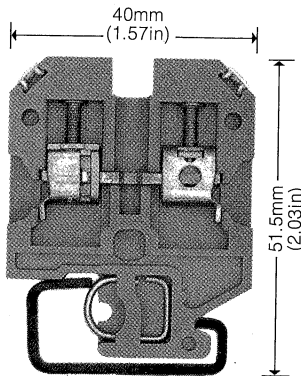
Email & Skype: info@chipsmall.com Web: www.chipsmall.com

Address: A1208, Overseas Decoration Building, #122 Zhenhua RD., Futian, Shenzhen, China



# SAK 4

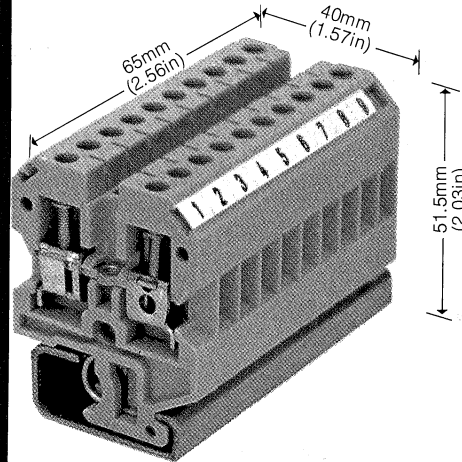
Terminal Type	Catalog No.	Standard Pack
<b>SAK 4</b> High-grade Melamine	<b>1283.2</b>	100
<b>SAK 4</b> Polyamid 6.6	<b>1283.6</b>	100



Terminal thickness 6.5mm-0.2mm (0.256in)  
Insulation Stripping Length 12mm (0.47in)

# KB 4/10

Terminal Type	Catalog No.	Standard Pack
<b>KB 4/10</b> 10-Pole Block without Marking Tags — Polyamid 6.6	<b>3088.6</b>	10
<b>KB 4/10</b> 10-Pole Block with Marking Tags 1-9 — Polyamid 6.6	<b>3226.6</b>	10

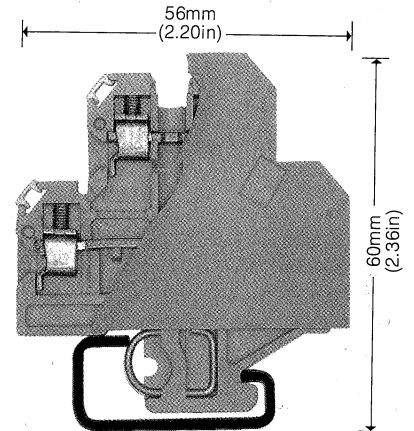


Terminal thickness 65mm (2.560in)  
Insulation Stripping Length 12mm (0.47in)

# DK 4/750

Terminal Type	Catalog No.	Standard Pack
<b>DK 4/750</b> Separate upper and lower connections. Complete with barrier. Polyamid 6.6	<b>5239.6</b>	60

(Barrier permanently affixed to terminal.)



Terminal thickness 7.5mm (0.295in)  
Insulation Stripping Length 9mm (0.354in)

Approvals    Amps    Volts    AWG

UL	<b>36</b>	<b>600</b>	<b>22-12</b>
CS	<b>36</b>	<b>600</b>	<b>22-10</b>

Type    Catalog No.    Standard Pack

Required Accessories		
TS 32	1228.0	—
EWK 1 9mm (0.354in)	2061.6	50
AP 1.5mm (0.059in)	1179.6	20
AP 1.5mm (0.059in)	1179.2	20
Optional Accessories		
TW 1.5mm (0.059in)	1301.6	50
TW 2.5mm (0.098in)	1301.2	20
TW	1971.0	—
TSch 1	3191.6	100
StB 14	1686.0	50
PS 2.3mm $\phi$ (0.090in)	1804.0	50
QS 2	2127.0	20
Q 2	3367.0	50
Q 3	3368.0	50
Q 4	3369.0	20
Q 10	3688.0	20
QL,VH,BS	See Page 22	
VL 2	1970.0	100
VH 19	2851.0	50
BS M3x25	2925.0	100
AD 4 (4 Terminals)	3761.0	10
BSK M3x22	1289.0	100
Dekafix 6.5mm, etc.	See Section G	
SS Fixing Washer	1644.0	—

For dimensions and further details see Accessory Section (H)

Approvals    Amps    Volts    AWG

UL	<b>36</b>	<b>600</b>	<b>22-12</b>
CS		<b>600</b>	<b>22-10</b>

Type    Catalog No.    Standard Pack

Required Accessories		
TS 32	1228.0	—
EWK 1 9mm (0.354in)	2061.6	50
AP 1.5mm (0.059in)	1179.6	20
Optional Accessories		
TSch 1	3191.6	100
StB 14	1686.0	50
PS 2.3mm $\phi$ (0.090in)	1804.0	50
Q 2	3367.0	50
Q 3	3368.0	50
Q 4	3369.0	20
Q 10	3688.0	20
QL,VH,BS	See Page 22	
VL 2	1970.0	100
VH 19	2851.0	50
BS M3x25	2925.0	100
AD 4 (4 Terminals)	3761.0	10
BSK M3x22	1289.0	100
Dekafix 6.5mm, etc.	See Section G	
SS Fixing Washer	1644.0	—

Approvals    Amps    Volts    AWG

UL	<b>27</b>	<b>600</b>	<b>22-16</b>
CS	<b>25</b>	<b>600</b>	<b>22-12</b>

Type    Catalog No.    Standard Pack

Required Accessories		
TS 32	1228.0	—
EWK 1 9mm (0.354in)	2061.6	50
Optional Accessories		
StB 8.5	2157.0	50
PS 2.3mm $\phi$ (0.090in)	1804.0	50
QL,VH,BS	See Page 22	
VH 8.5	2669.0	
BS 2.5x14	3677.0	
Dekafix 6.5mm, etc.	See Section G	





