



Chipsmall Limited consists of a professional team with an average of over 10 year of expertise in the distribution of electronic components. Based in Hongkong, we have already established firm and mutual-benefit business relationships with customers from,Europe,America and south Asia,supplying obsolete and hard-to-find components to meet their specific needs.

With the principle of “Quality Parts,Customers Priority,Honest Operation,and Considerate Service”,our business mainly focus on the distribution of electronic components. Line cards we deal with include Microchip,ALPS,ROHM,Xilinx,Pulse,ON,Everlight and Freescale. Main products comprise IC,Modules,Potentiometer,IC Socket,Relay,Connector.Our parts cover such applications as commercial,industrial, and automotives areas.

We are looking forward to setting up business relationship with you and hope to provide you with the best service and solution. Let us make a better world for our industry!



Contact us

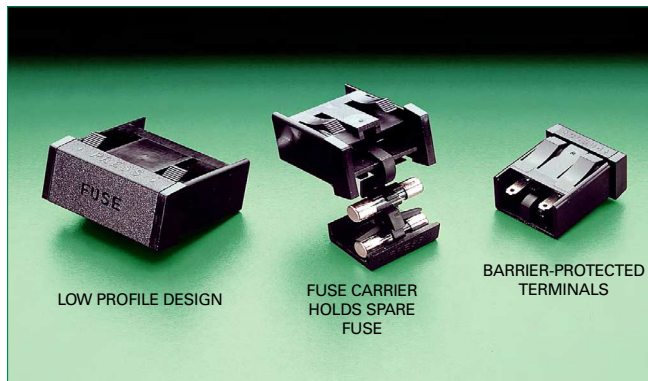
Tel: +86-755-8981 8866 Fax: +86-755-8427 6832

Email & Skype: info@chipsmall.com Web: www.chipsmall.com



Address: A1208, Overseas Decoration Building, #122 Zhenhua RD., Futian, Shenzhen, China



286/346 Series Flip-Top Shock-Safe Panel Mount Fuse Holders

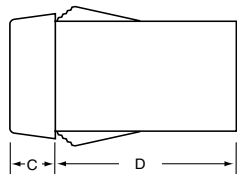
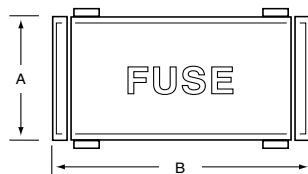


Agency Approvals

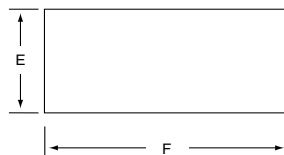
Agency	Agency File Number
	E14721
	7316

* Ensure that proper fuse re-rating is factored in fuseholder selection.

Dimensions



Recommended Mounting Hole



Product Characteristics

Compatible Fuses	For 3AG, 3AB, 5x20mm, or 2AG Fuses
Features	<ul style="list-style-type: none"> Shock-Safe design eliminates any possibility of electrical shock, per IEC Standards IEC 60127-6. Fuse carrier holds spare fuse for fast, easy fuse replacement and convenient servicing. Low profile design
Electrical	Rating: See TABLE. Insulation Resistance: 10,000 megohm minimum at 500 VDC. Contact Resistance: Less than 0.01 ohm.
Mounting	Snap-in mounting. No hardware required. Panel thickness range: .032" through .125"
Molded Parts	Thermoplastic (UL94 V-0) black standard (other colors available as special).
Fuse Carrier	Spring-loaded. Unlocks with a press of the finger. Locks into place to prevent accidental circuit interruption. Permanently attached to fuseholder body to prevent loss. Extracts fuse from live terminals. Holds spare fuse.
Terminals	Copper alloy, tin plate. Accepts quick-connect or solder.
Ambient Temperature	-40°C to +85°C.
Vibration	10-55-10 Hz at .06" double amplitude (Method 201, MIL-STD-202).

Additional Information



Datasheet
286 Series



Datasheet
346 Series



Resources
286 Series



Resources
346 Series



Samples
286 Series



Samples
346 Series

Ordering Information

Catalog Number	Fuse Size	Q.C. Terminals	Max. Amps At 250V.	A	B	C	D	E +.005"/-.000"	F +.005"/-.000"
346 877	3AG	.250" x .032" .072" Dia. Hole	15	.75"	1.5"	.27"	1.04"	.688"	1.445"
286 677	5 x 20mm	.187" x .032" .055" Dia. Hole	10	.70"	1.03"	.26"	.94"	.625"	.953"
286 377	2AG	.110" x .020" .048" Dia. Hole	10	.61"	.85"	.20"	.87"	.550"	.775"