



Chipsmall Limited consists of a professional team with an average of over 10 year of expertise in the distribution of electronic components. Based in Hongkong, we have already established firm and mutual-benefit business relationships with customers from,Europe,America and south Asia,supplying obsolete and hard-to-find components to meet their specific needs.

With the principle of “Quality Parts,Customers Priority,Honest Operation,and Considerate Service”,our business mainly focus on the distribution of electronic components. Line cards we deal with include Microchip,ALPS,ROHM,Xilinx,Pulse,ON,Everlight and Freescale. Main products comprise IC,Modules,Potentiometer,IC Socket,Relay,Connector.Our parts cover such applications as commercial,industrial, and automotives areas.

We are looking forward to setting up business relationship with you and hope to provide you with the best service and solution. Let us make a better world for our industry!



Contact us

Tel: +86-755-8981 8866 Fax: +86-755-8427 6832

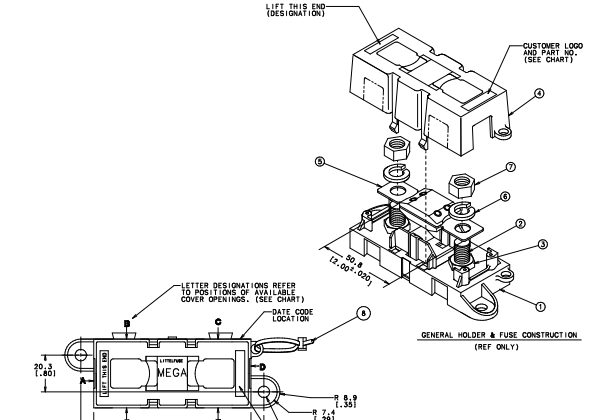
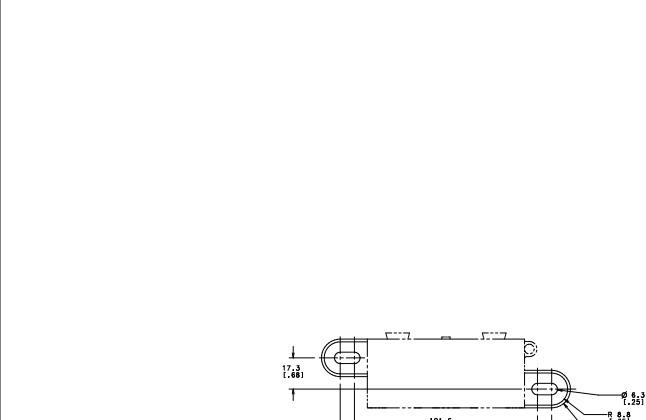
Email & Skype: info@chipsmall.com Web: www.chipsmall.com

Address: A1208, Overseas Decoration Building, #122 Zhenhua RD., Futian, Shenzhen, China



ASSEMBLY NO.	BASE NO. (1)	BOLT (2)	JAM NUT (3)	COVER NO. (4)	COVER OPENING	PART NO. AND/OR COLOR	FUSE NO. (5)	WASHER (6)	WASHER QTY (6)	NUT (7)	NUT QTY (7)	TETHER (8)	RACHET FASTENERS (9)	RACKET PART NO. (10)	CARTON QTY (11)	BAG QTY. (12)	LABEL QTY. (13)	PAD QTY. (14)	POLY BAG (15)	POLY BAG QTY. (16)	
029810012	2989001-1	902-146-001	903-129-001	2989001-10	A D	N/A	NONE	901-282-001	2000	903-130-001	2000	890-515	NONE	NONE	NONE	6.25	6.25	6.25	37.5	NONE	NONE
029810027	2989001-2	902-146-001	903-129-001	2989001-10	A D	N/A	NONE	901-282-001	2000	903-130-001	2000	890-515	NONE	NONE	NONE	7.14	7.14	7.14	42.84	NONE	NONE
029810037	2989001-1	902-146-001	903-129-001	2989001-11	A B C D E F	N/A	NONE	901-282-001	2000	903-130-001	2000	890-515	NONE	NONE	NONE	6.25	6.25	6.25	37.5	NONE	NONE
029810047	2989001-1	902-146-001	903-129-001	2989001-12	A C F	N/A	0298175.ZXB	NONE	NONE	NONE	NONE	890-515	NONE	NONE	NONE	6.25	6.25	6.25	37.5	NONE	NONE
029810057	2989001-1	902-146-001	903-129-001	2989001-13	A C D E	N/A	0298100.ZXE	901-282-001	2000	903-130-001	2000	890-515	NONE	NONE	NONE	6.25	6.25	6.25	37.5	NONE	NONE
029810067	2989001-3	902-146-002	903-129-002	2989001-11	A B C D E F	N/A	0298175.ZXAF	NONE	NONE	903-136	2000	NONE	898-100	2000	6.25	6.25	6.25	37.5	NONE	NONE	
029810077	2989001-2	902-146-001	903-129-001	2989001-17	A E	883 837 868 A QND	0298200.ZXE	901-282-001	2000	903-130-001	2000	NONE	NONE	NONE	NONE	7.14	7.14	7.14	42.84	NONE	NONE
029810087	2989001-2	902-146-001	903-129-001	2989001-18	A D E	883 837 868 A QND	0298200.ZXE	901-282-001	2000	903-130-001	2000	NONE	NONE	NONE	NONE	7.14	7.14	7.14	42.84	NONE	NONE
029810097	2989001-3	902-146-002	903-129-002	2989001-18	D E F	N/A	0298175.ZXAF	NONE	NONE	NONE	NONE	NONE	NONE	NONE	NONE	6.25	6.25	6.25	37.5	NONE	NONE
029810107	2989001-1	902-146-001	903-129-001	2989001-13	A C D E	N/A	0298200.ZXS	901-282-001	2000	903-130-001	2000	890-515	NONE	NONE	NONE	6.25	6.25	6.25	37.5	NONE	NONE
029810117	2989001-5	902-146-001	903-129-001	2989001-25	B C E F	N/A	0298500.ZXS	NONE	NONE	903-149	2000	890-515	NONE	NONE	NONE	7.14	7.14	7.14	42.84	NONE	NONE
029810127	2989001-6	902-146-001	903-129-001	2989001-26	B C E F	N/A	NONE	901-282-001	2000	903-130-001	2000	890-515	NONE	NONE	NONE	6.25	6.25	6.25	37.5	NONE	NONE
029810137	2989001-3	902-146-002	903-129-002	2989001-26	B C	N/A	0298175.ZXAF	NONE	NONE	903-136	2000	NONE	898-100	2000	6.25	6.25	6.25	37.5	NONE	NONE	
029810147	2989001-1	902-146-001	903-129-001	2989001-10	A D	N/A	0298100.ZXB	NONE	NONE	NONE	NONE	890-515	NONE	NONE	NONE	6.25	6.25	6.25	37.5	NONE	NONE
029810157	2989001-2	902-146-001	903-129-001	2989001-30	A C E	883 837 868 C QND	0298200.ZXE	901-282-001	2000	903-130-001	2000	NONE	NONE	NONE	7.14	7.14	7.14	42.84	898-365	14.28	
029810167	2989001-2	902-146-001	903-129-001	2989001-29	C F	883 837 868 D QND	0298100.ZXE	901-282-001	2000	903-130-001	2000	NONE	NONE	NONE	7.14	7.14	7.14	42.84	898-365	14.28	

LTN	DATE	REVISION	BY	CHK	APP
K	06/04/07	MINI-REVERSE B BOMER TO E883200			
L	06/27/07	86814 - RELEASED 029810012	FW		
M	07/27/07	86808 - RELEASED 029810107	FW		
N	08/20/07	86808 - RELEASED 029810107	FW		
O	08/20/07	86808 - RELEASED 029810112	FW		
P	08/17/07	86814 - RELEASED 029810127 & 029810137	FW		
Q	08/17/07	86814 - RELEASED 029810132	B.J.J.		
R	10/17/07	86814 - RELEASED 029810127 & 029810132	B.J.J.		
S	11/27/07	86814 - RELEASED 029810127	B.J.J.		
T	12/19/07	86814 - RELEASED 029810127	B.J.J.		
U	01/17/08	86814 - RELEASED 029810127	B.J.J.		
V	03/14/08	86814 - RELEASED 029810127 & 029810132	B.J.J.		
W	03/25/08	86814 - RELEASED 029810127 & 029810132	B.J.J.		
X	06/18/08	86814 - RELEASED 029810127 & 029810132	B.J.J.		
Y	06/18/08	86814 - RELEASED 029810127 & 029810132	B.J.J.		
Z	06/18/08	86814 - RELEASED 029810127 & 029810132	B.J.J.		



- NOTES:
- NUTS (7) TO BE ASSEMBLED BELOW STUD END WITH THE COVER ON. TORQUE TO 50 IN-LBS. WASHERS & HEX NUTS NOT TO BE ASSEMBLED TO BASE.
 - BOLT HEAD TO BE RECESSED IN HOUSING BASE BY .110 MINIMUM.
 - COVER RETENTION TEST A MINIMUM FORCE OF 2 LBS. IS REQUIRED TO REMOVE COVER WHEN IT IS SUSPENDED UPSIDE DOWN. FORCE SHALL BE APPLIED THROUGH THE INNER HOLES (2) IN BASE. USE FIXTURE #1-4343 TO SUPPORT PART.
 - TORQUE REQ. FOR NUT (7) Min = 50 IN-LBS. **Item 7**
 - MATERIALS:
 - BODY - GLASS FILLED THERMOPLASTIC COLOR - BLACK
 - COVER - THERMOPLASTIC COLOR - BLACK
 - WIRE TIE - THERMOPLASTIC COLOR - BLACK
 - STUDS & NUTS - M4 X 1.25 STEEL PLATED WITH SILICROMATE MEETS 72 HR. ASTM STD. B-17 SALT SPRAY REQ.
 - 250 AMP. MAX. RATING
 - TORQUE REQUIREMENT FOR MEGA FUSE TERMINAL & CONNECTOR LOCKING NUTS (2) TO BE: Min Nut - 12-18 NEWTON METERS Min Nut Washer - 12-18 NEWTON METERS
 - HOLDER MEETS L/F VALIDATION TEST SPEC. VS-00502.

- PACKAGING NOTES:
- HOLDERS ARE POSITIONED IN CARTON ON THEIR SIDE.
 - ALL HOLDERS HAVE COVERS SUPPLIED ON EXTERIOR FOR OVERPACK, WHICH HAS COVER SEALED BUT NOT SHIPPED DOWN.
 - HOLDERS USING 2989001-1, OR 2989001-3 OR 2989001-6 BASE ARE PACKED 180 PCS IN CARTON LINED WITH BAG, FIVE LAYERS WITH 22 HOLDERS LAYER. PLACE A PAD ON BOTH TOP AND BOTTOM FACE LAYER. FOLD BAG CLOSED AND SEAL CARTON WITH OVERSHIM TAPE AND AFFIX LABEL. PRINTED PER GENERAL LABEL SPEC 15-00003.
 - HOLDERS USING 2989001-2 OR 2989001-8 BASE ARE PACKED 140 PCS IN CARTON LINED WITH BAG, FIVE LAYERS 28 HOLDERS/LAYER. PLACE A PAD ON BOTTOM, TOP AND BETWEEN EACH LAYER. FOLD BAG CLOSED AND SEAL CARTON WITH OVERSHIM TAPE AND AFFIX LABEL PRINTED PER GENERAL LABEL SPEC. 15-00003.
- PACKAGING NOTES. FOR (029810152 AND 029810162):
- PLACE 280 WASHERS (6) IN BAG 898-365 AND 280 HEX NUTS (10) IN BAG 898-365. HEAT SHREDS AND PLACE ON TOP OF THE LIFT CARBOARD PAD. THE NUTS MUST BE SPREAD OUT TO ONLY A SINGLE LAYER IN THE BAG. CLOSE AND SEAL THE BOX.

UNCONTROLLED

REVISIONS

DATE

BY

CHK

APP

DESCRIPTION

15

16

17

18

19

20

21

22

23

24

25

26

27

28

29

30

31

32

33

34

35

36

37

38

39

40

41

42

43

44

45

46

47

48

49

50

51

52

53

54

55

56

57

58

59

60

61

62

63

64

65

66

67

68

69

70

71

72

73

74

75

76

77

78

79

80

81

82

83

84

85

86

87

88

89

90

91

92

93

94

95

96

97

98

99

100

101

102

103

104

105

106

107

108

109

110

111

112

113

114

115

116

117

118

119

120

121

122

123

124

125

126

127

128

129

130

131

132

133

134

135

136

137

138

139

140

141

142

143

144

145

146

147

148

149

150

151

152

153

154

155

156

157

158

159

160

161

162

163

164

165

166

167

168

169

170

171

172

173

174

175

176

177

178

179

180

181

182

183

184

185

186

187

188

189

190

191

192

193

194

195

196

197

198

199

200