



Chipsmall Limited consists of a professional team with an average of over 10 year of expertise in the distribution of electronic components. Based in Hongkong, we have already established firm and mutual-benefit business relationships with customers from,Europe,America and south Asia,supplying obsolete and hard-to-find components to meet their specific needs.

With the principle of "Quality Parts,Customers Priority,Honest Operation,and Considerate Service",our business mainly focus on the distribution of electronic components. Line cards we deal with include Microchip,ALPS,ROHM,Xilinx,Pulse,ON,Everlight and Freescale. Main products comprise IC,Modules,Potentiometer,IC Socket,Relay,Connector.Our parts cover such applications as commercial,industrial, and automotives areas.

We are looking forward to setting up business relationship with you and hope to provide you with the best service and solution. Let us make a better world for our industry!



Contact us

Tel: +86-755-8981 8866 Fax: +86-755-8427 6832

Email & Skype: info@chipsmall.com Web: www.chipsmall.com

Address: A1208, Overseas Decoration Building, #122 Zhenhua RD., Futian, Shenzhen, China



FLEX MEGA® FUSE HOLDER

32 Vdc • 500 A • In-Line • Interlocking for Multi-Pole Fuse Holder Assemblies



Description

The FLEX MEGA® fuse holder is designed to be used with the Littelfuse MEGA® style bolt-down fuse, which is available up to 500 A.

This holder offers a flexible cover, which allows cable entry from virtually any direction, large wire size, and ring terminal stack up. Slots on the base allow holder to be mounted with tie wraps. Dovetail features allow you to interlock multiple FLEX MEGA® fuse holders together for a high power distribution block. Bus bars are available for multiple holder applications.

Features and Benefits

- Flexible cover allows for cable entry from virtually any direction allowing for easier installation.
- Dovetail features allow you to interlock multiple Flex holders together to create a high power distribution block. Combine with the Flex-MIDI fuseholder for a high and low amperage solution.
- Slots are molded into the base that allow the holder to be securely mounted with tie-wraps.
- Stainless steel or zinc plated steel hardware and tin-plated 100% pure copper optimize long-term corrosion protection.

Specifications Overview

Max Voltage Rating:	32 Vdc
Max Current Rating:	500 A
Wire Size:	8 mm ² to 35 mm ²
Stud Torque (M8 Threads):	12-18 Nm
Mounting Torque (M6 Bolts & Washers):	5 Nm
Temperature Range:	-40 to +125 °C
Flammability Rating:	UL94 V-0
Dimensions:	121.4 x 36.8 x 44.5 mm

Recommended Fuses

- Littelfuse series: MEGA®
- Also accepts competitive cross-reference equivalent fuses

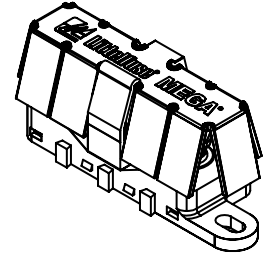
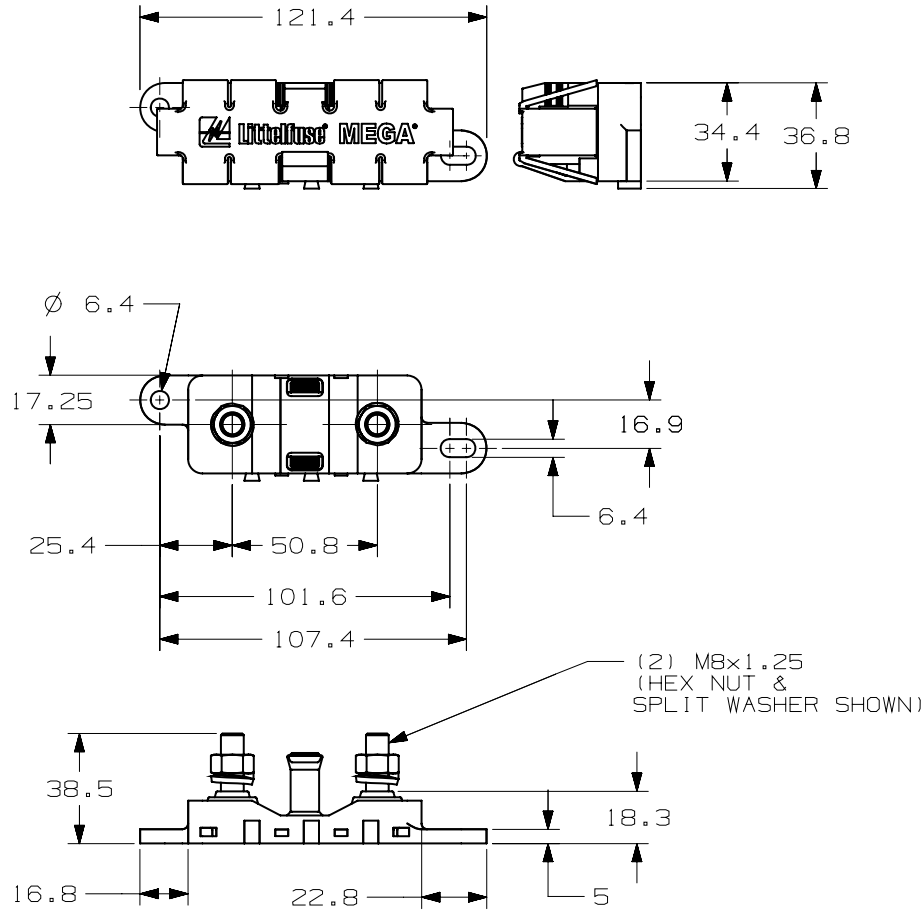
Web Resources

Download 2D outline and additional technical resources at:
littelfuse.com/flex-mega

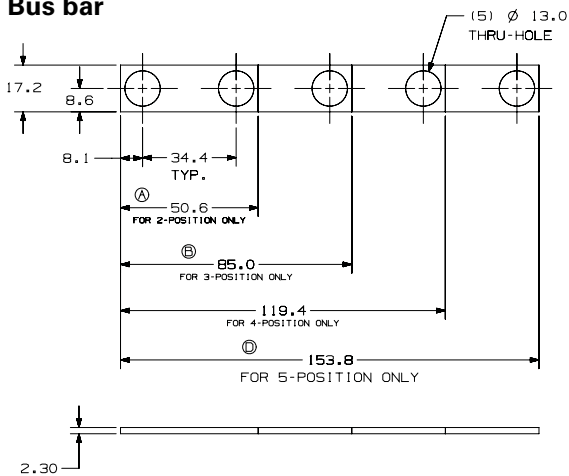
Ordering Information

PART NUMBER	DESCRIPTION	MATERIAL (STUDS AND HARDWARE)
02981028HXFC	Complete Assembly	Zinc-Plated Steel
02981028HXFC-SS	Complete Assembly	Stainless Steel
02981028HXFC-RED	Complete Assembly with Red Cover	Zinc-Plated Steel
02981028HXFCB	Base Only (no hardware)	Zinc-Plated Steel
02981028HXFCC	Cover Only	—
882-839-2	2-Position Bus Bar	Tin-Plated Copper
882-839-3	3-Position Bus Bar	Tin-Plated Copper
882-839-4	4-Position Bus Bar	Tin-Plated Copper
882-839-5	5-Position Bus Bar	Tin-Plated Copper

Dimensions in millimeters



Bus bar



#	DESCRIPTION	PART #
A	2-POSITION	882-839-2
B	3-POSITION	882-839-3
C	4-POSITION	882-839-4
D	5-POSITION	882-839-5



Visit Littelfuse.com for the most up-to-date product information. Littelfuse reserves the right to make product changes, without notice. Material in this document is as accurate as known at the time of publication.