



Chipsmall Limited consists of a professional team with an average of over 10 year of expertise in the distribution of electronic components. Based in Hongkong, we have already established firm and mutual-benefit business relationships with customers from,Europe,America and south Asia,supplying obsolete and hard-to-find components to meet their specific needs.

With the principle of "Quality Parts,Customers Priority,Honest Operation,and Considerate Service",our business mainly focus on the distribution of electronic components. Line cards we deal with include Microchip,ALPS,ROHM,Xilinx,Pulse,ON,Everlight and Freescale. Main products comprise IC,Modules,Potentiometer,IC Socket,Relay,Connector.Our parts cover such applications as commercial,industrial, and automotives areas.

We are looking forward to setting up business relationship with you and hope to provide you with the best service and solution. Let us make a better world for our industry!



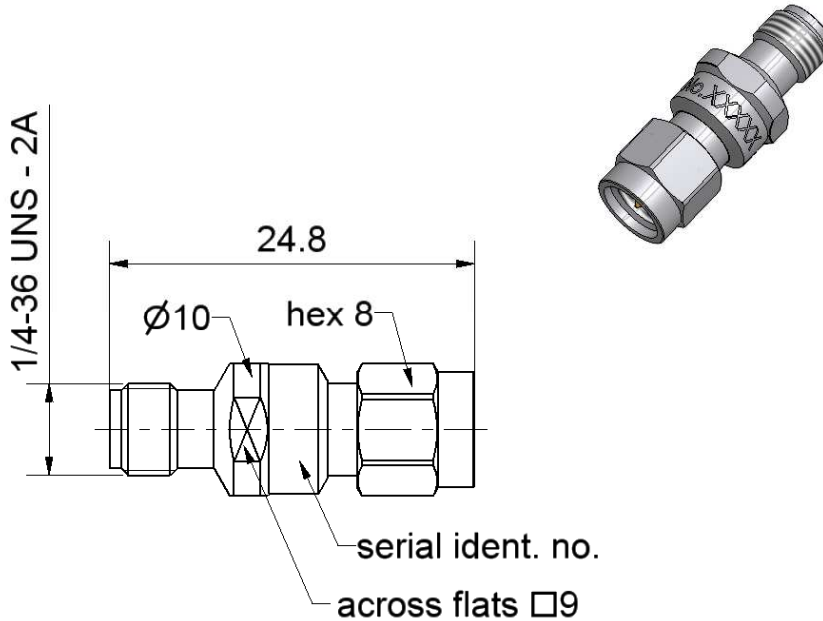
## Contact us

Tel: +86-755-8981 8866 Fax: +86-755-8427 6832

Email & Skype: info@chipsmall.com Web: www.chipsmall.com

Address: A1208, Overseas Decoration Building, #122 Zhenhua RD., Futian, Shenzhen, China





All dimensions are in mm; tolerances according to ISO 2768 m-H

**Interface**

According to IEC 61169-35  
Mechanically compatible with RPC-3.50 and SMA

**Documents**

Application note AN001 "Calibration Services"

**Documentation**

This Part is delivered with:

- **USB Stick**  
with S2p data file of the reference measurement values. Calibration Certificate as PDF file.
- **Calibration Certificate**  
Details see "Declaration of calibration" options.

Dieses Dokument ist urheberrechtlich geschützt • This document is protected by copyright • Rosenberger Hochfrequenztechnik GmbH & Co. KG

RF\_35/09;14/6.2

**Material and plating**

**Connector parts**

Center conductor - plug  
Center conductor - jack  
Outer conductor  
Coupling nut  
Dielectric  
Substrate

**Material**

CuBe  
CuBe  
Stainless steel  
Stainless steel  
PEEK  
Al<sub>2</sub>O<sub>3</sub>

**Plating**

Gold, min. 1.27 µm, over nickel  
Gold, min. 1.27 µm, over nickel  
Passivated  
Passivated

**Electrical data**

Frequency range DC to 40 GHz  
DC Resistance 50 Ω  
Power handling ≤ 0.5 W

**Electrical data (typical)**

Return loss ≥ 32 dB, DC to 4 GHz  
≥ 20 dB, 4 GHz to 40 GHz  
Attenuation 20 dB ± 0.3 dB, DC to 40 GHz

**Mechanical data**

Mating cycles ≥ 500  
Maximum torque 1.70 Nm  
Recommended torque 0.90 Nm  
Gauge 0.00 mm to 0.03 mm

**Electrical verification standard**

This Attenuator is designed as an electrical verification standard. Reference measurement values (calibration results) for transmission and reflection are included. Connected to a calibrated VNA the actual measured transmission and reflection values can be compared to the reference measurement values and the quality of the VNA calibration can be evaluated.

**Environmental data**

Operating temperature range<sup>1</sup> +20 °C to +26 °C  
Rated temperature range of use<sup>2</sup> 0 °C to +50 °C  
Storage temperature range - 40 °C to +85 °C

RoHS compliant

<sup>1</sup> Temperature range over which the reference measurement values are applicable.

<sup>2</sup> This range is underneath and above the operating temperature range, within the attenuator is fully functional and could be used without damage.

**Declaration of calibration options**

**Factory Calibration**

Standard delivery for this verification standard includes a Factory Calibration. The Calibration Certificate issued reports individual calibration results. Reflection results are traceable to national / international standards. A S2p data file with the reference measurement values is included.

**Accredited Calibration**

Not available.

*For further, more detailed information see application note AN001 on the Rosenberger homepage.*

**Calibration interval**

Recommendation 12 months

**Packing**

Standard 1 pce in box  
Weight 7.5 g/pce

While the information has been carefully compiled to the best of our knowledge, nothing is intended as representation or warranty on our part and no statement herein shall be construed as recommendation to infringe existing patents. In the effort to improve our products, we reserve the right to make changes judged to be necessary.

Draft	Date	Approved	Date	Rev.	Engineering change number	Name	Date
Kerstin Herzog	18.05.06	Markus Müller	12.10.16	g00	16-1390	Marion Striegler	11.10.16