



Chipsmall Limited consists of a professional team with an average of over 10 year of expertise in the distribution of electronic components. Based in Hongkong, we have already established firm and mutual-benefit business relationships with customers from,Europe,America and south Asia,supplying obsolete and hard-to-find components to meet their specific needs.

With the principle of “Quality Parts,Customers Priority,Honest Operation,and Considerate Service”,our business mainly focus on the distribution of electronic components. Line cards we deal with include Microchip,ALPS,ROHM,Xilinx,Pulse,ON,Everlight and Freescale. Main products comprise IC,Modules,Potentiometer,IC Socket,Relay,Connector.Our parts cover such applications as commercial,industrial, and automotives areas.

We are looking forward to setting up business relationship with you and hope to provide you with the best service and solution. Let us make a better world for our industry!



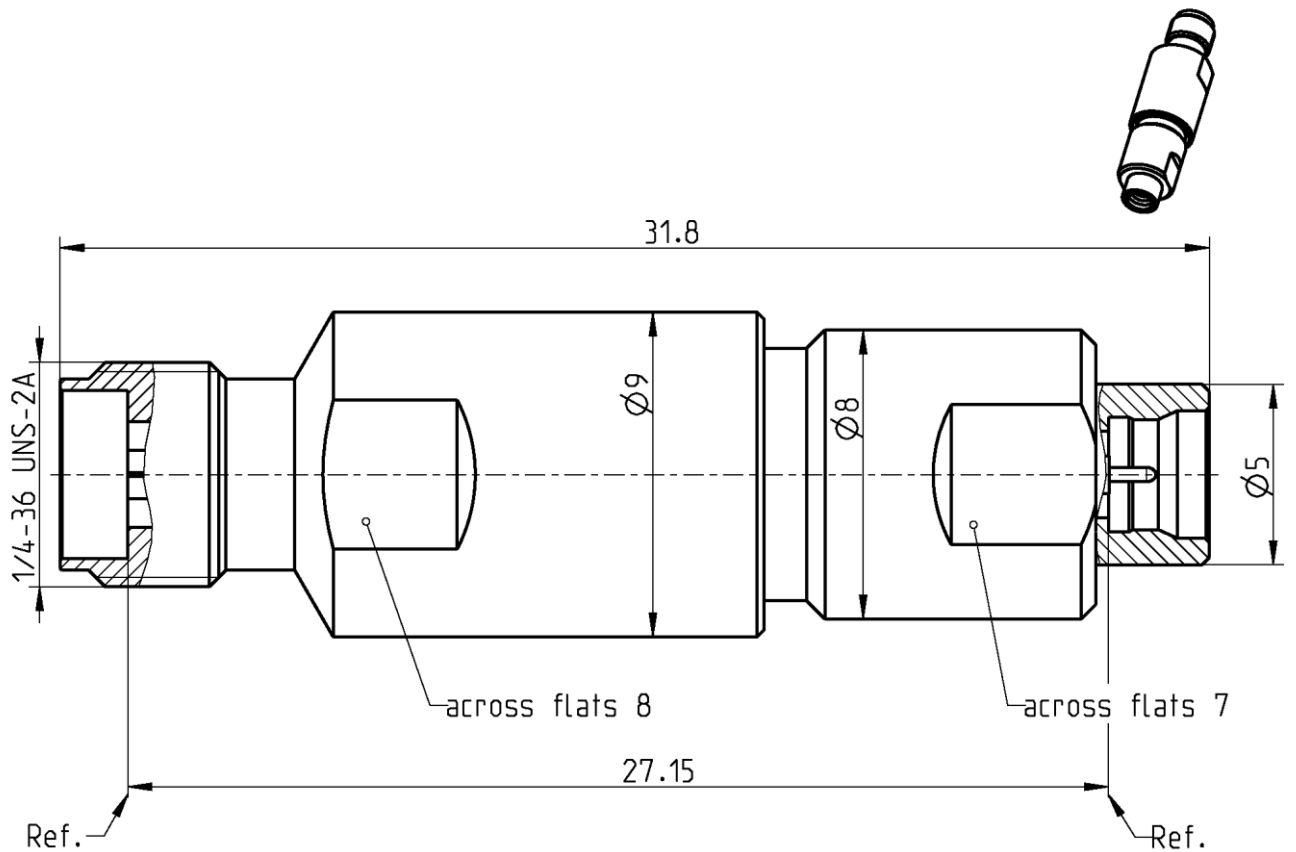
Contact us

Tel: +86-755-8981 8866 Fax: +86-755-8427 6832

Email & Skype: info@chipsmall.com Web: www.chipsmall.com

Address: A1208, Overseas Decoration Building, #122 Zhenhua RD., Futian, Shenzhen, China





All dimensions are in mm; tolerances according to ISO 2768 m-H

Interface

RPC-2.92 according to	IEC 61169-35
RPC-2.92 mechanically compatible with	RPC-3.50 and SMA
SMP according to	MIL-STD-348

Documents

N/A

Material and plating

Connector parts

Center contact
Outer contact RPC-2.92
Outer contact SMP
Dielectric

Material

CuBe
Stainless steel
CuBe
PEEK

Plating

Gold, min. 1.27 µm, over chemical nickel
Passivated
Gold, min. 0.8 µm, over chemical nickel

Dieses Dokument ist urheberrechtlich geschützt • This document is protected by copyright • Rosenberger Hochfrequenztechnik GmbH & Co. KG

RF_35/09.14/6.2

Adaptor
RPC-2.92 jack – SMP plug

02K119-S00E3

Electrical data

Impedance 50 Ω
 Frequency DC to 40 GHz
 Return loss ≥ 32 dB, DC to 12 GHz
 ≥ 26 dB, 12 GHz to 26.5 GHz
 ≥ 21 dB, 26.5 GHz to 40 GHz
 Insertion loss ≤ 0.05 x √f(GHz) dB
 Insulation resistance ≥ 5 GΩ
 Test voltage (at sea level) 500 V rms
 Working voltage (at sea level) 250 V rms

Mechanical data

Mating cycles ≥ 500
 Center contact captivation ≥ 20 N
 Coupling test torque RPC-2.92 1.70 Nm
 Recommended torque RPC-2.92 0.80 Nm to 1.10 Nm
 Engagement force SMP limited detent ≤ 45 N
 Disengagement force SMP limited detent ≥ 9 N

Environmental data

Temperature range -40°C to +85°C
 Thermal shock MIL-STD-202, Meth. 107, Cond. B
 Corrosion MIL-STD-202, Meth. 101, Cond. B
 Vibration MIL-STD-202, Meth. 204, Cond. D
 Shock MIL-STD-202, Meth. 213, Cond. I
 Moisture resistance MIL-STD-202, Meth. 106
 RoHS compliant

Tooling

N/A

Suitable cables

N/A

Weight

10.1 g/pce

While the information has been carefully compiled to the best of our knowledge, nothing is intended as representation or warranty on our part and no statement herein shall be construed as recommendation to infringe existing patents. In the effort to improve our products, we reserve the right to make changes judged to be necessary.

Draft	Date	Approved	Date	Rev.	Engineering change number	Name	Date
Herbert Babinger	06.12.04	F. Reiner	20.06.18	c01	18-1026	M.Ruf	20.06.18

Rosenberger Hochfrequenztechnik GmbH & Co. KG
 P.O.Box 1260 D-84526 Tittmoning Germany
www.rosenberger.de

Tel. : +49 8684 18-0
 Email : info@rosenberger.de

Page
 2 / 2