



Chipsmall Limited consists of a professional team with an average of over 10 year of expertise in the distribution of electronic components. Based in Hongkong, we have already established firm and mutual-benefit business relationships with customers from,Europe,America and south Asia,supplying obsolete and hard-to-find components to meet their specific needs.

With the principle of "Quality Parts,Customers Priority,Honest Operation,and Considerate Service",our business mainly focus on the distribution of electronic components. Line cards we deal with include Microchip,ALPS,ROHM,Xilinx,Pulse,ON,Everlight and Freescale. Main products comprise IC,Modules,Potentiometer,IC Socket,Relay,Connector.Our parts cover such applications as commercial,industrial, and automotives areas.

We are looking forward to setting up business relationship with you and hope to provide you with the best service and solution. Let us make a better world for our industry!



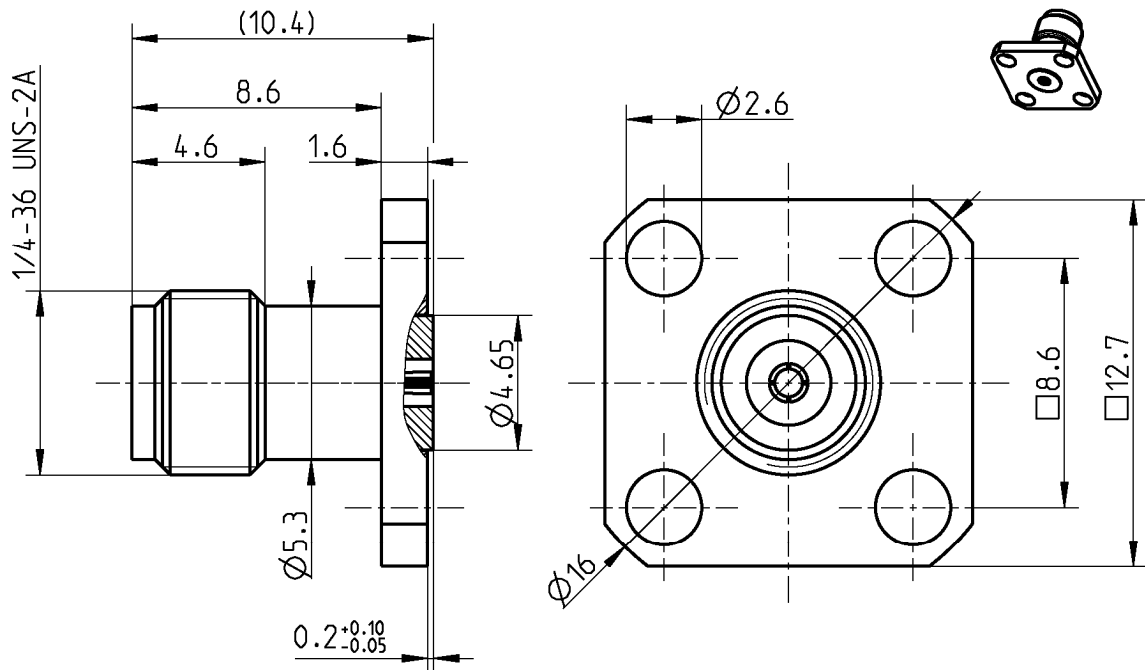
Contact us

Tel: +86-755-8981 8866 Fax: +86-755-8427 6832

Email & Skype: info@chipsmall.com Web: www.chipsmall.com

Address: A1208, Overseas Decoration Building, #122 Zhenhua RD., Futian, Shenzhen, China





for glass-bead of 0.3mm pin diameter.

All dimensions are in mm; tolerances according to ISO 2768 m-H

Interface

According to IEC 61169-35
Mechanically compatible with RPC-3.50 and SMA

Documents

Assembly instruction 02 E1

Material and plating

Connector parts

Center contact
Outer contact RPC-2.92
Outer contact hermetical side
Dielectric

Material

CuBe
Stainless steel
Brass
PS

Plating

AuroDur®, gold plated
Passivated
AuroDur®, gold plated

Electrical data

Impedance	50 Ω
Frequency	DC to 40 GHz
Return loss ¹⁾	≥ 23 dB, DC to 34 GHz ≥ 19 dB, 34 GHz to 40 GHz
Insertion loss	≤ 0.04 x √f(GHz) dB
Insulation resistance	≥ 5 GΩ
Center contact resistance	≤ 3.0 mΩ
Outer contact resistance	≤ 2.0 mΩ
Test voltage	750 V rms
Working voltage	250 V rms
RF-leakage	≥ 100 dB up to 1 GHz

1) measured including measuring adaptor 02K421-900S3

Mechanical data

Mating cycles	≥ 500
Center contact captivation	≥ 20 N
Coupling test torque	1.70 Nm
Recommended torque	0.80 Nm to 1.10 Nm

Environmental data

Temperature range	-40°C to +85°C
Thermal shock	MIL-STD-202, Method 107, Condition B
Corrosion	MIL-STD-202, Method 101, Condition B
Vibration	MIL-STD-202, Method 204, Condition D
Shock	MIL-STD-202, Method 213, Condition I
Moisture resistance	MIL-STD-202, Method 106
2002/95/EC (RoHS)	compliant

Tooling

Measuring adaptor	02K421-900S3
Soldering fixture	02W001-000
Tool adaptor	02W002-000

Suitable glass bead

Glass bead	02Z101-000
------------	------------

Packing

Standard	100 pcs in blister
Weight	2.9 g/pce

While the information has been carefully compiled to the best of our knowledge, nothing is intended as representation or warranty on our part and no statement herein shall be construed as recommendation to infringe existing patents. In the effort to improve our products, we reserve the right to make changes judged to be necessary.

Draft	Date	Approved	Date	Rev.	Engineering change number	Name	Date
Herbert Babinger	05/04/05	Armin Maiwalder	19/09/12	e00	12-0821	Maik Knoll	19/09/12
Rosenberger Hochfrequenztechnik GmbH & Co. KG P.O.Box 1260 D-84526 Tittmoning Germany www.rosenberger.de				Tel.: +49 8684 18-0 Fax: +49 8684 18-499 email: info@rosenberger.de			Page 2 / 2