



Chipsmall Limited consists of a professional team with an average of over 10 year of expertise in the distribution of electronic components. Based in Hongkong, we have already established firm and mutual-benefit business relationships with customers from,Europe,America and south Asia,supplying obsolete and hard-to-find components to meet their specific needs.

With the principle of “Quality Parts,Customers Priority,Honest Operation,and Considerate Service”,our business mainly focus on the distribution of electronic components. Line cards we deal with include Microchip,ALPS,ROHM,Xilinx,Pulse,ON,Everlight and Freescale. Main products comprise IC,Modules,Potentiometer,IC Socket,Relay,Connector.Our parts cover such applications as commercial,industrial, and automotives areas.

We are looking forward to setting up business relationship with you and hope to provide you with the best service and solution. Let us make a better world for our industry!



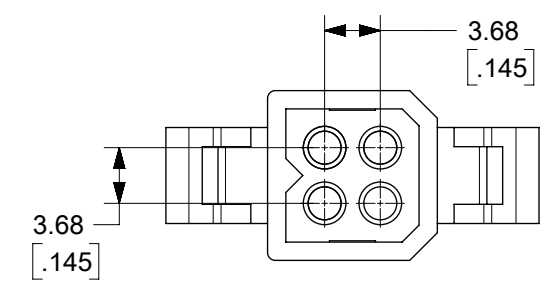
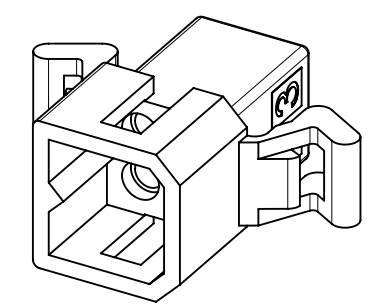
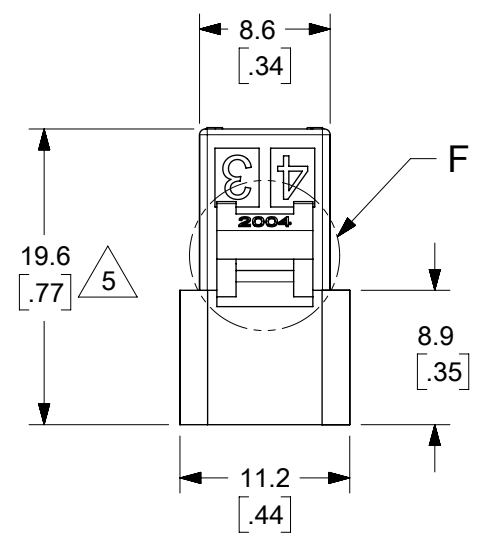
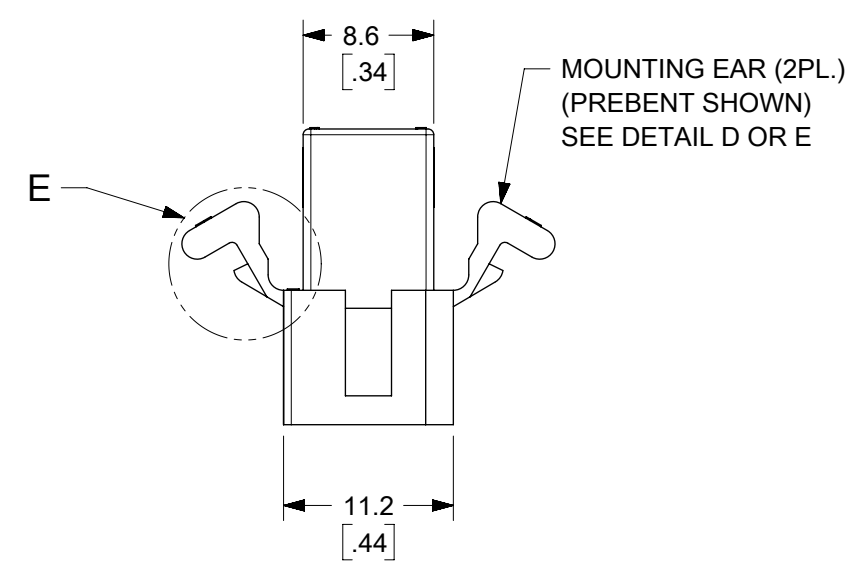
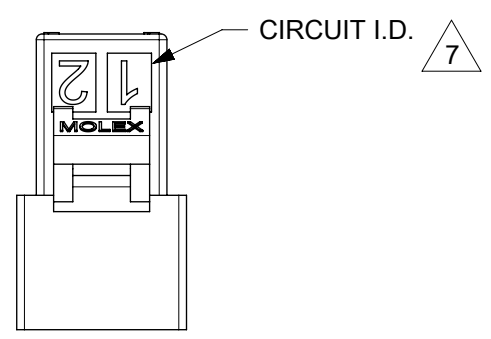
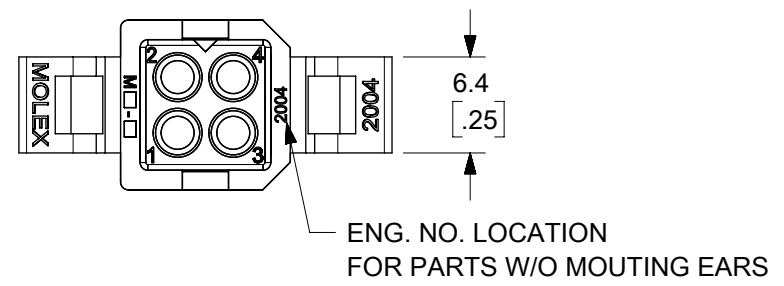
## Contact us

Tel: +86-755-8981 8866 Fax: +86-755-8427 6832

Email & Skype: info@chipsmall.com Web: www.chipsmall.com

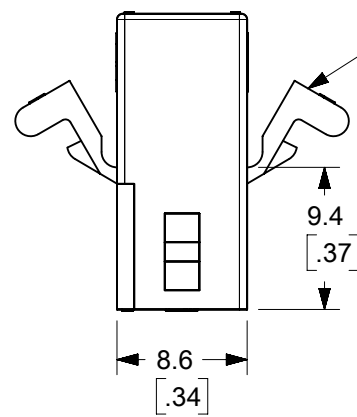
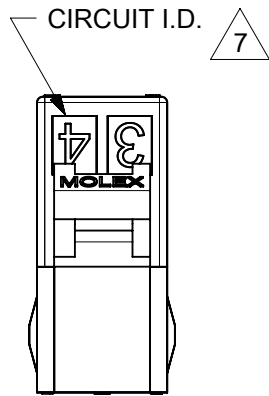
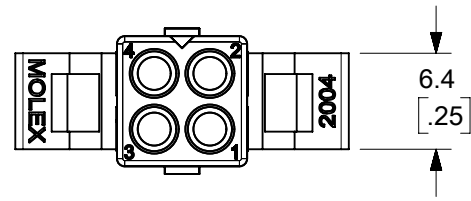
Address: A1208, Overseas Decoration Building, #122 Zhenhua RD., Futian, Shenzhen, China



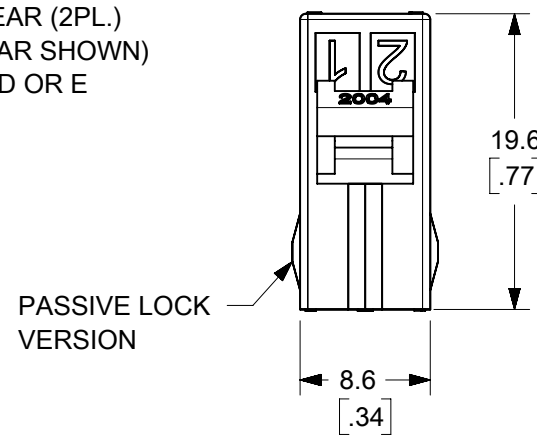


# PLUG HOUSING

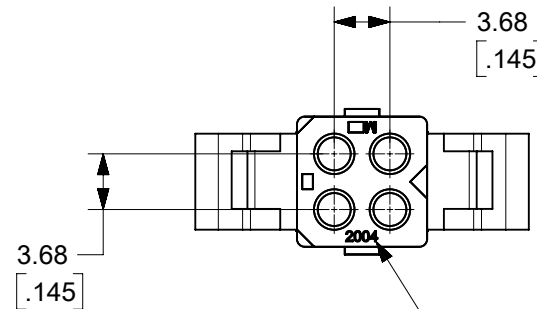
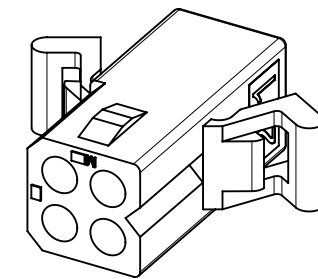
THIS DRAWING CONTAINS INFORMATION THAT IS PROPRIETARY TO MOLEX ELECTRONIC TECHNOLOGIES, LLC AND SHOULD NOT BE USED WITHOUT WRITTEN PERMISSION											
QUALITY SYMBOLS	CORRECT NOTE 5	EC NO: 109320	DRWN: MKIPPER	CHK'D: MKIPPER	APP'R: FSMITH	GENERAL TOLERANCES (UNLESS SPECIFIED)		DIMENSION UNITS	SCALE		
						MM	INCH	MM/IN	2:1		
$\nabla$ = 0						4 PLACES	$\pm$	$\pm$	DRWN BY: BAPPELDORN	DATE: 2016/09/22	
$\nabla$ = 0						3 PLACES	$\pm$	$\pm 0.01$	CHK'D BY: MKIPPER	DATE: 2016/09/22	
$\nabla$ = 0						2 PLACES	$\pm 0.25$	$\pm 0.014$	APP'R BY: FSMITH	DATE: 2016/09/29	
$\nabla$ = 0						1 PLACES	$\pm 0.36$	$\pm$	DRAWING SIZE: B		
$\nabla$ = 0						0 PLACES	$\pm$	$\pm$	THIRD ANGLE PROJECTION		
$\nabla$ = 0						ANGULAR TOL $\pm 1.0$					
$\nabla$ = 0						DRAFT WHERE APPLICABLE MUST REMAIN WITHIN DIMENSIONS					
								PLUG AND RECEPTACLE HOUSINGS 4 CIRCUIT .062 DIA., .145 CTRS.			
								PRODUCT CUSTOMER DRAWING			
RELEASE STATUS		P1	RELEASE DATE		25.10.2016	15:59:23		SERIES	MATERIAL NUMBER	CUSTOMER	
								2004	SEE CHART	GENERAL MARKET	
								DOCUMENT NUMBER	DOC TYPE	DOC PART	SHEET NUMBER
								20040000-SD	PSD	000	1 OF 3



MOUNTING EAR (2PL.)  
(PREBENT EAR SHOWN)  
SEE DETAIL D OR E



PASSIVE LOCK  
VERSION



ENG. NO. LOCATION  
FOR PARTS W/O MOUNTING EARS

## RECEPTACLE HOUSING

THIS DRAWING CONTAINS INFORMATION THAT IS PROPRIETARY TO MOLEX ELECTRONIC TECHNOLOGIES, LLC AND SHOULD NOT BE USED WITHOUT WRITTEN PERMISSION										
QUALITY SYMBOLS ▽ = 0 ▽ = 0 ▽ = 0 ▽ = 0 ▽ = 0 ▽ = 0 ▽ = 0 ▽ = 0 ▽ = 0 ▽ = 0	CORRECT NOTE 5 EC NO: 109320 DRWN: MKIPPER CHK'D: MKIPPER APPR: FSMITH	GENERAL TOLERANCES (UNLESS SPECIFIED)		DIMENSION UNITS	SCALE					
		MM	INCH	MM/IN	2:1					
		4 PLACES	±	±	DRWN BY	DATE	PLUG AND RECEPTACLE HOUSINGS 4 CIRCUIT .062 DIA., .145 CTRS.			
		3 PLACES	±	± 0.01	BAPPELDORN	2016/09/22				
		2 PLACES	± 0.25	± 0.014	CHK'D BY	DATE	PRODUCT CUSTOMER DRAWING			
1 PLACES	± 0.36	±	MKIPPER	2016/09/22						
0 PLACES	±	±	APPR BY	DATE	SERIES: 2004    MATERIAL NUMBER: SEE CHART    CUSTOMER: GENERAL MARKET					
ANGULAR TOL ± 1.0		DRAWING SIZE		THIRD ANGLE PROJECTION					DOCUMENT NUMBER: 20040000-SD    DOC TYPE: PSD    DOC PART: 000    SHEET NUMBER: 2 OF 3	
DRAFT WHERE APPLICABLE MUST REMAIN WITHIN DIMENSIONS		B								

